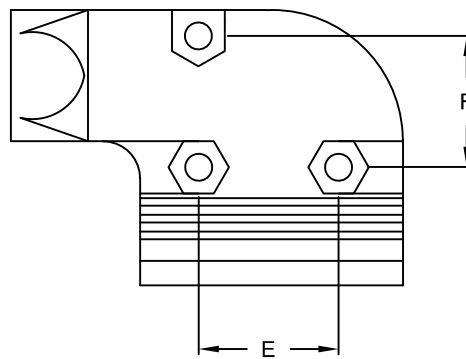
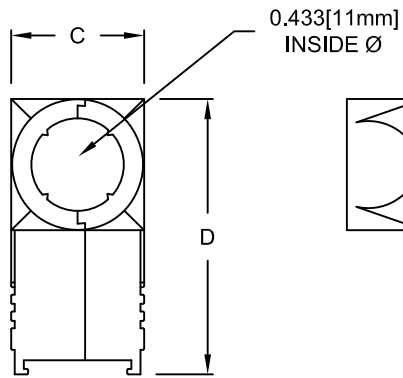
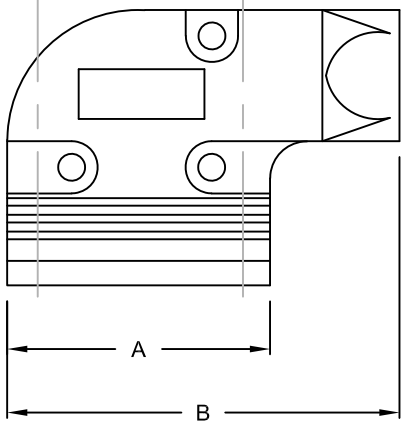
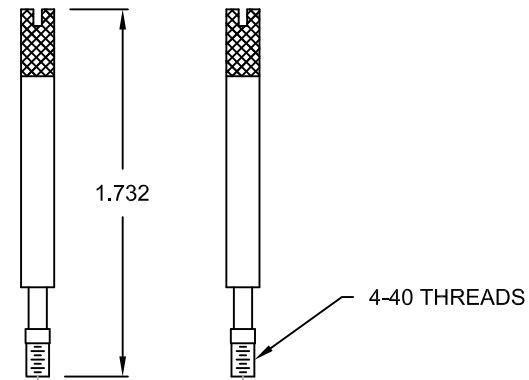


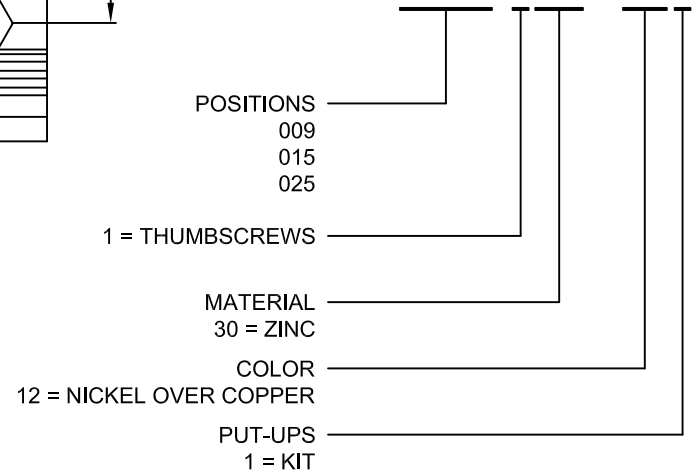
DIMENSIONS (IN.)						
No. OF PINS	A	B	C	D	E	F
9	1.265	1.850	0.628	1.300	0.610	0.625
15	1.580	2.314	0.639	1.300	0.995	0.620
25	2.143	2.870	0.633	1.300	1.528	0.606



BACKSHELL KIT INCLUDES:

- (2) BACKSHELL HALVES
- (3) HOUSING SCREWS & NUTS
- (2) THUMBSCREWS
- (1) GROMMET TREE (NON-CONDUCTIVE)

981-YYY-130R121



RoHS COMPLIANT

UNITS = INCHES [MM] **DO NOT SCALE FROM DRAWING**



THESE DRAWINGS AND SPECIFICATIONS ARE THE PROPERTY OF NorComp AND SHALL NOT BE REPRODUCED, COPIED OR USED AS THE BASIS FOR THE MANUFACTURE OR SALE OF APPARATUS WITHOUT WRITTEN PERMISSION.

DRAWN:
C. SMITH
DATE:
02/16/2007

NorComp

SCALE: NTS	SHEET 1	OF 1	REV 2
DWG NO.		981-YYY-130R121	

Mouser Electronics

Authorized Distributor

Click to View Pricing, Inventory, Delivery & Lifecycle Information:

[NorComp:](#)

[981-009-130R121](#) [981-025-130R121](#) [981-015-130R121](#)