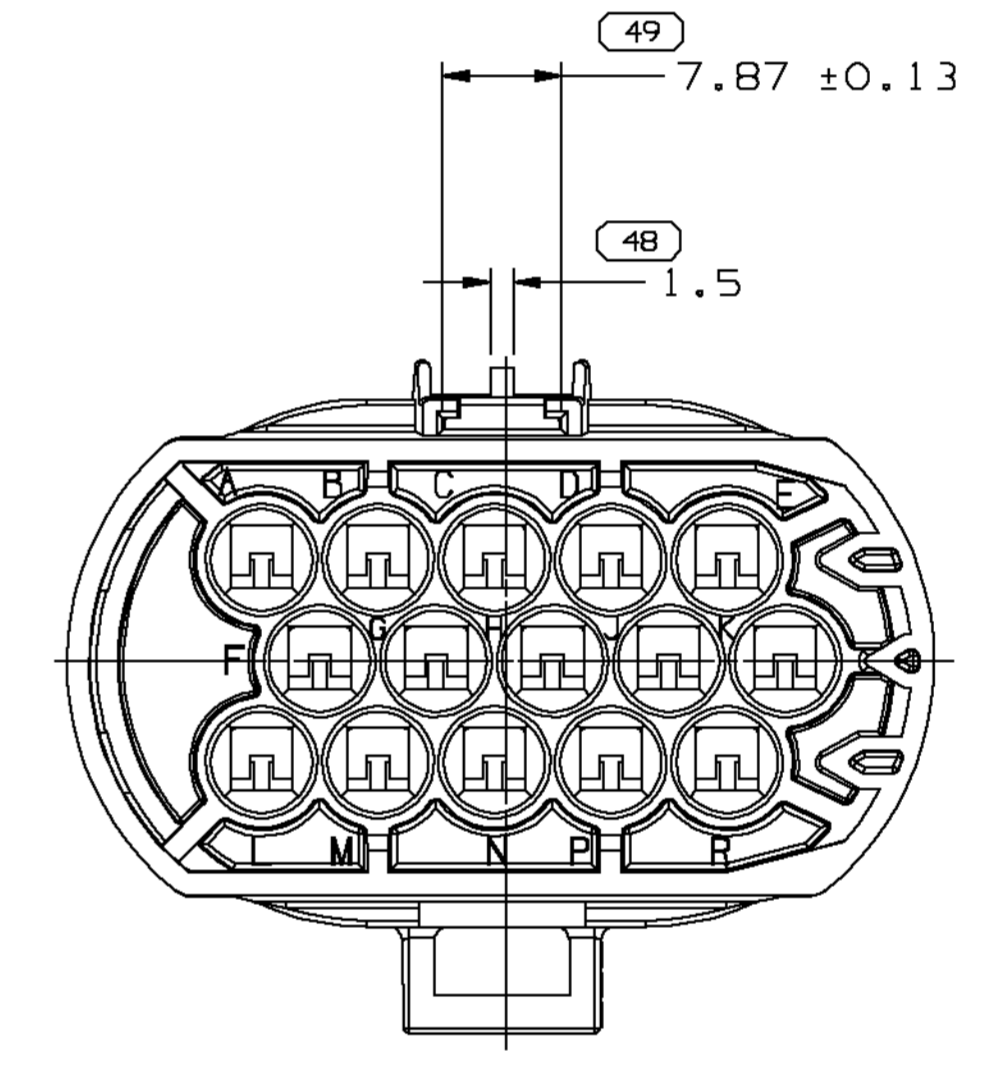
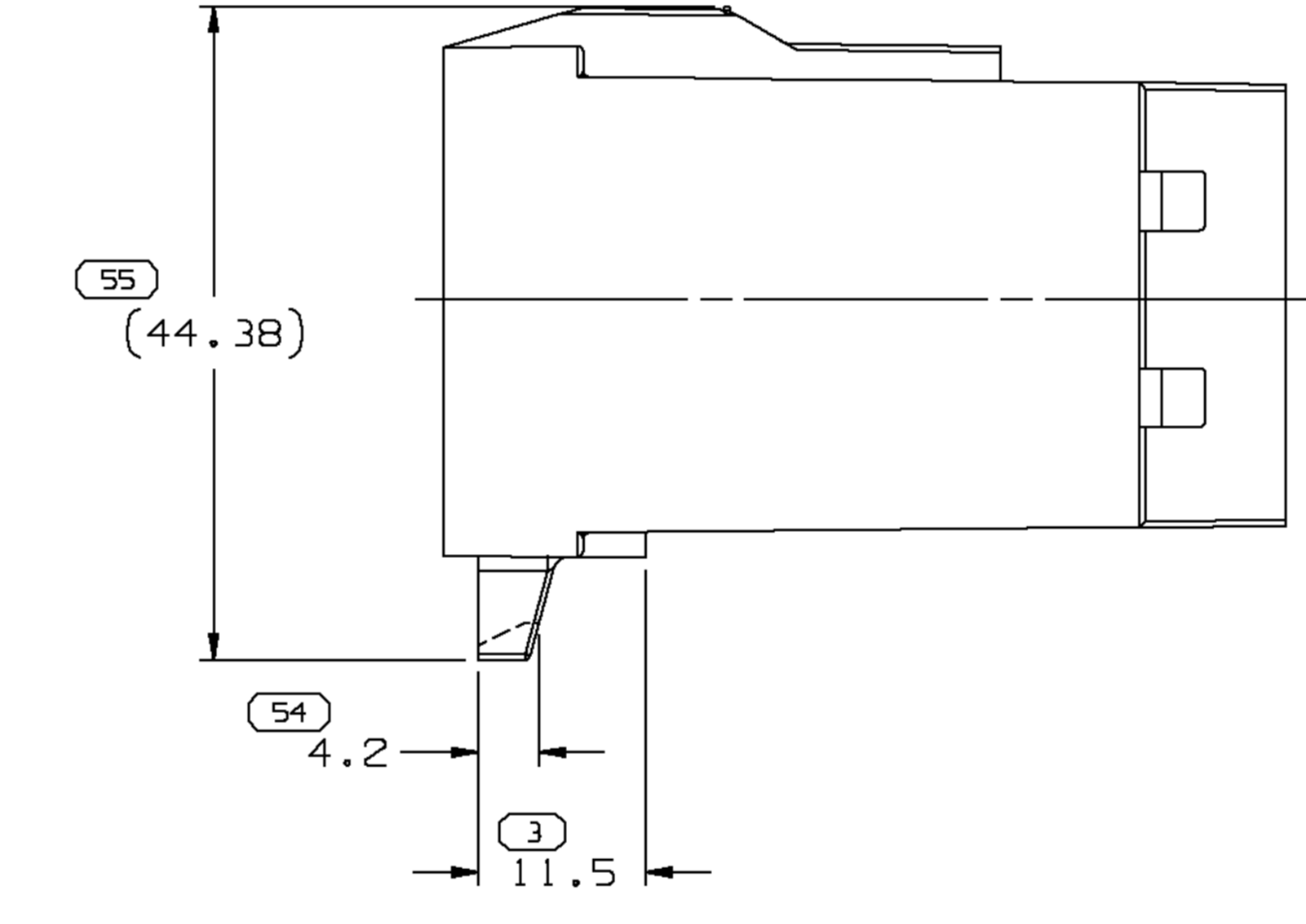
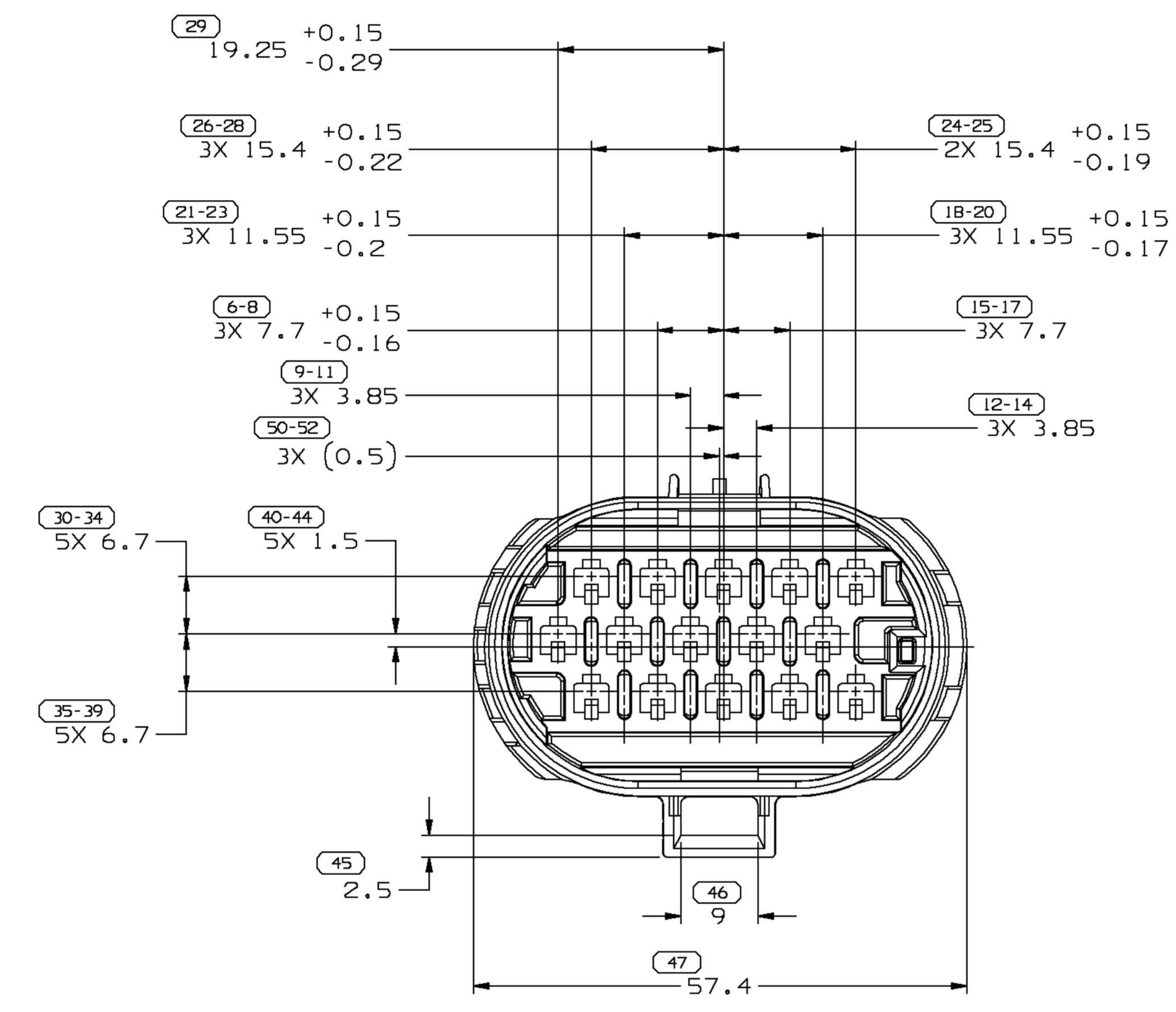
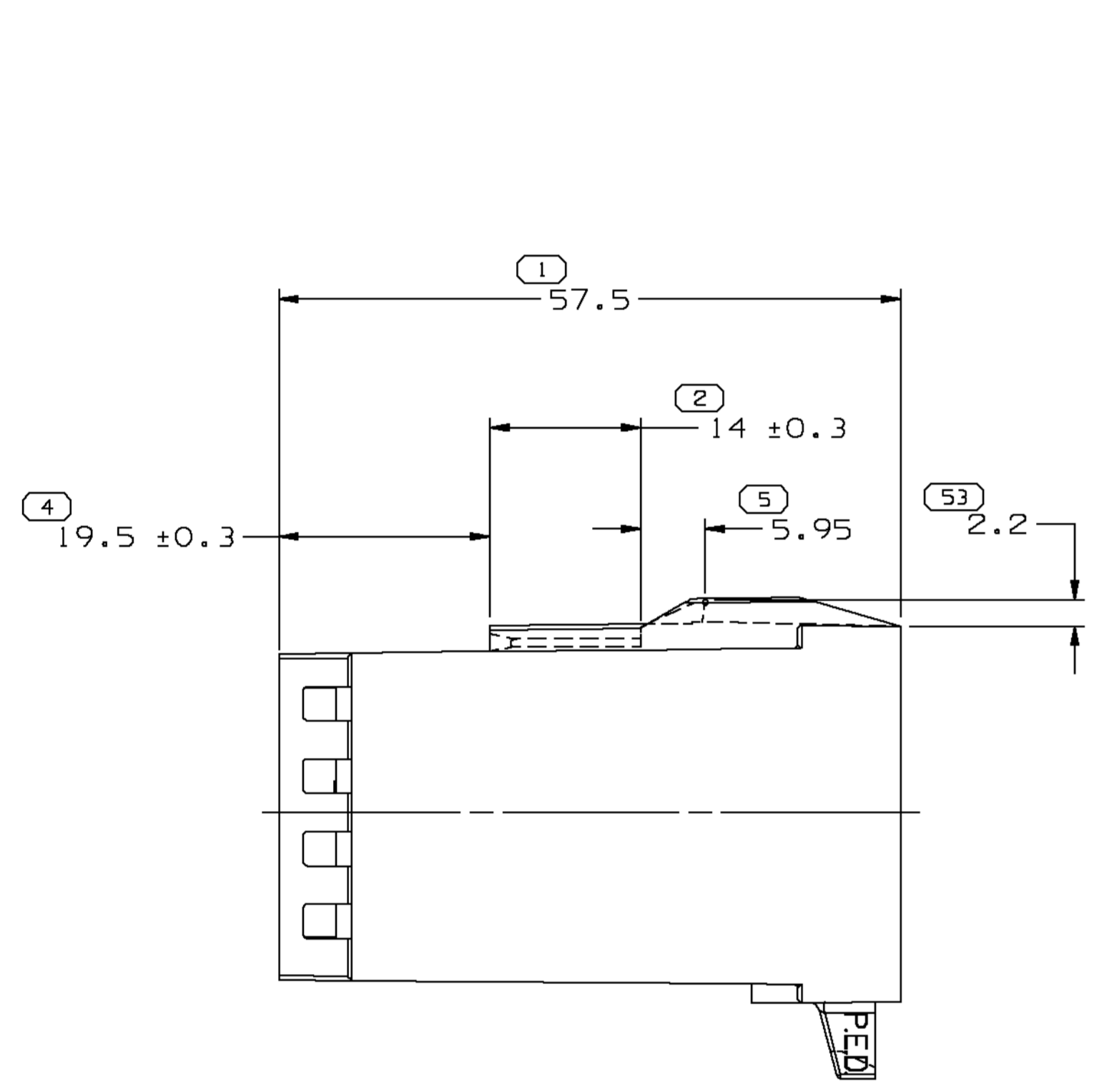
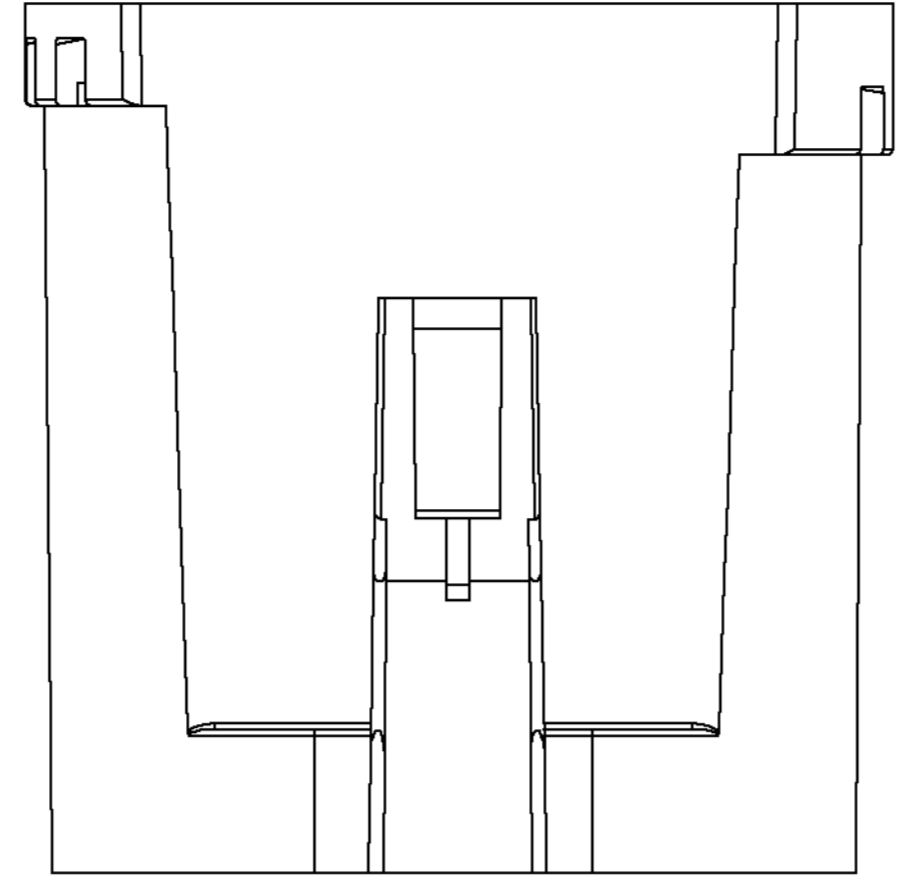


DELPHI PACKARD ELECTRIC SYSTEMS  
WARREN, OHIO 44090

SYMBOL DEFINITION		MISSING NUMBERS		DATE	SYM	REVISION RECORD	AUTH	DR	CK
THE NUMBER INSIDE THE SYMBOL CORRESPONDS TO THE NUMBER ON THE INSPECTION REPORT FOR THIS DRAWING/PART NUMBER	TOTAL NO. OF SYMBOLS ON DRAWING	26		15NO00	H1	REDRAWN TO PD & REVISED			
	LAST NO. USED	55				REVISION			202240JGHRMC

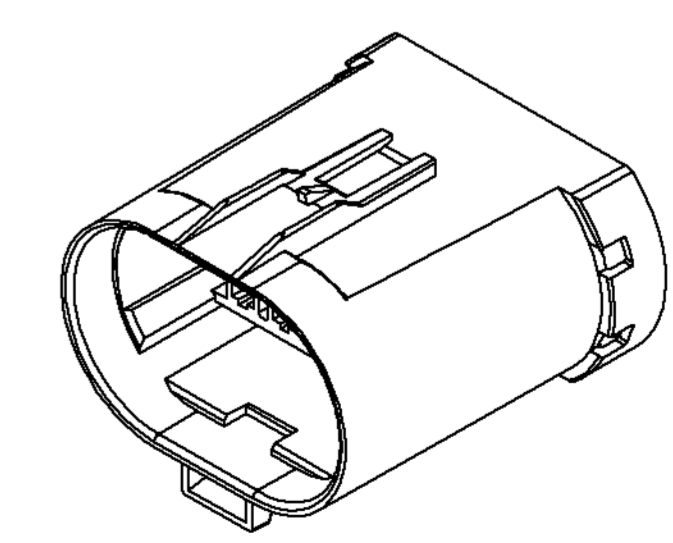


PART NO  
12110781

PART NO  
12110781

NOTES

- UNLESS OTHERWISE SPECIFIED AND/OR INDICATED: DIMENSIONS ARE TO FACE OF VIEW SHOWN AND AUTOMATICALLY ROUNDED BY COMPUTER FOR INSPECTION (SEE MATH MODEL FOR PRECISE DIMENSIONS). FOR ALL OTHER DIMENSIONS NOT SHOWN BUT REQUIRED FOR TOOL BUILD, SEE MATH MODEL FOR PRECISE TOOL PATH DATA.
- SEALING CODE 3 - DESIGN WILL PASS SALT FOG AND IMMERSION TEST AFTER CONDITIONING AS SPECIFIED IN ESA-644 (WEATHER-PACK), ESA-710 (METRI-PACK), ESA-650 (UNDERHOOD MICRO-PACK), C-4006 (WORLD CONNECTOR), ETC WHEN MATED TO MATING PART OR EQUIVALENT
- MATING COMPONENTS OR EQUIVALENT:  
CONNECTOR 12110780  
SEAL ASSEMBLY 12110779
- THIS PART ACCEPTS THE FOLLOWING COMPONENTS OR EQUIVALENT:  
TERMINAL 12040559  
SECONDARY TERMINAL LOCK 12110782  
MAX CABLE O.D. 3.85  
CABLE SEAL  
SEE 12010295 DETAIL DRAWING FOR COMPATIBLE O.D. RANGE  
CONNECTOR POSITION ASSURANCE LOCK 12052834



PART DRAWING		THIRD ANGLE PROJECTION	
<b>Ugraphics</b>			
CODE NO 6900	QC	METRIC DIMENSIONS ARE IN MILLIMETERS UNLESS OTHERWISE SPECIFIED	
DWG DATE 25MY90	SCALE 2:1	DES B. MADISON 15MR91	DR B. MADISON 15MR91
REFERENCE NO 001, 701		CK B. HAMILLL 25MR91	APPR. PETROSKY 25MR91
		VOL. CM 30.564	

MATERIAL SPEC		PART NUMBER		SIZE	
R0071713 PA66 GF14 HS 1M-BLK		CONN 15M M/P 280 SLD		12110781	
DIMENSIONS ENCLOSED IN ( ) INDICATE REFERENCE DIMENSIONS AND NO TOLERANCE LIMITS ARE ESTABLISHED		DIMENSIONAL RANGE		ANGULAR TOLERANCE ± 2°	
FROM	0	> 20	> 30	> 70	> 100
TO	0	20	30	70	100
TOLERANCE	UNLESS OTHERWISE SPECIFIED:				
	[+0.15] ± 0.2   ± 0.3   ± 0.4   ± 0.5				

SHEET NO. 1511-C081

# Mouser Electronics

Authorized Distributor

Click to View Pricing, Inventory, Delivery & Lifecycle Information:

[Aptiv:](#)

[12110781](#)