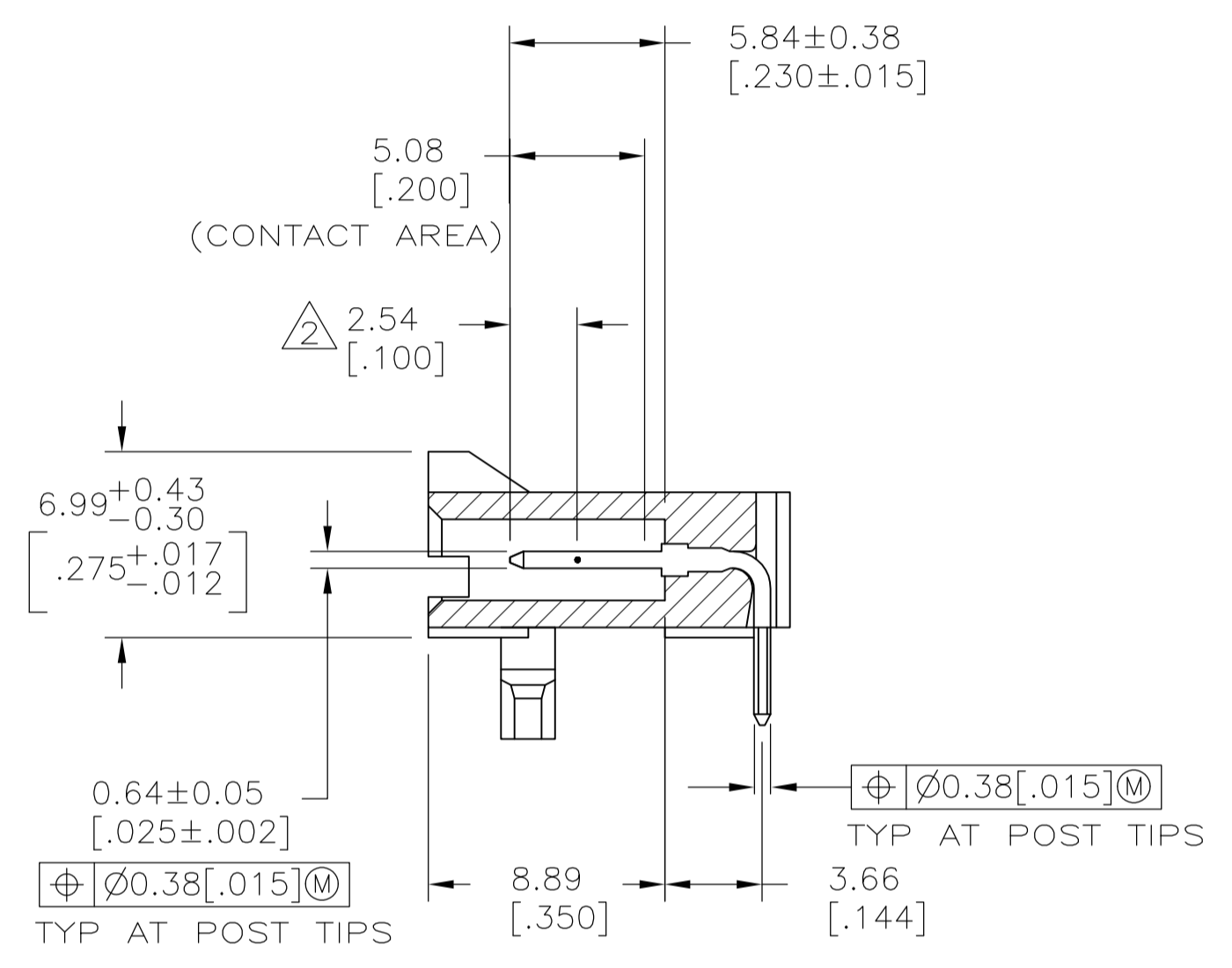
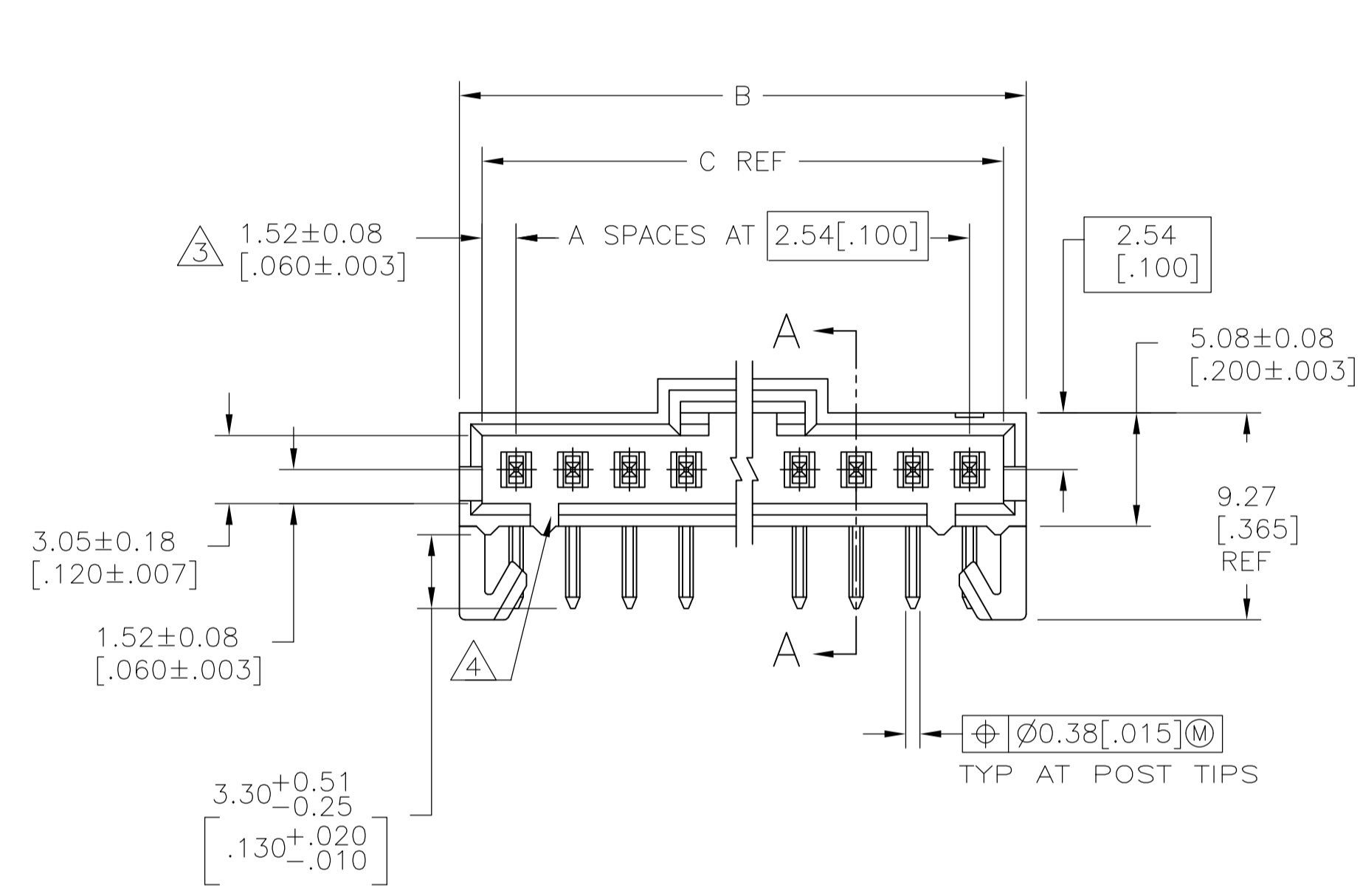
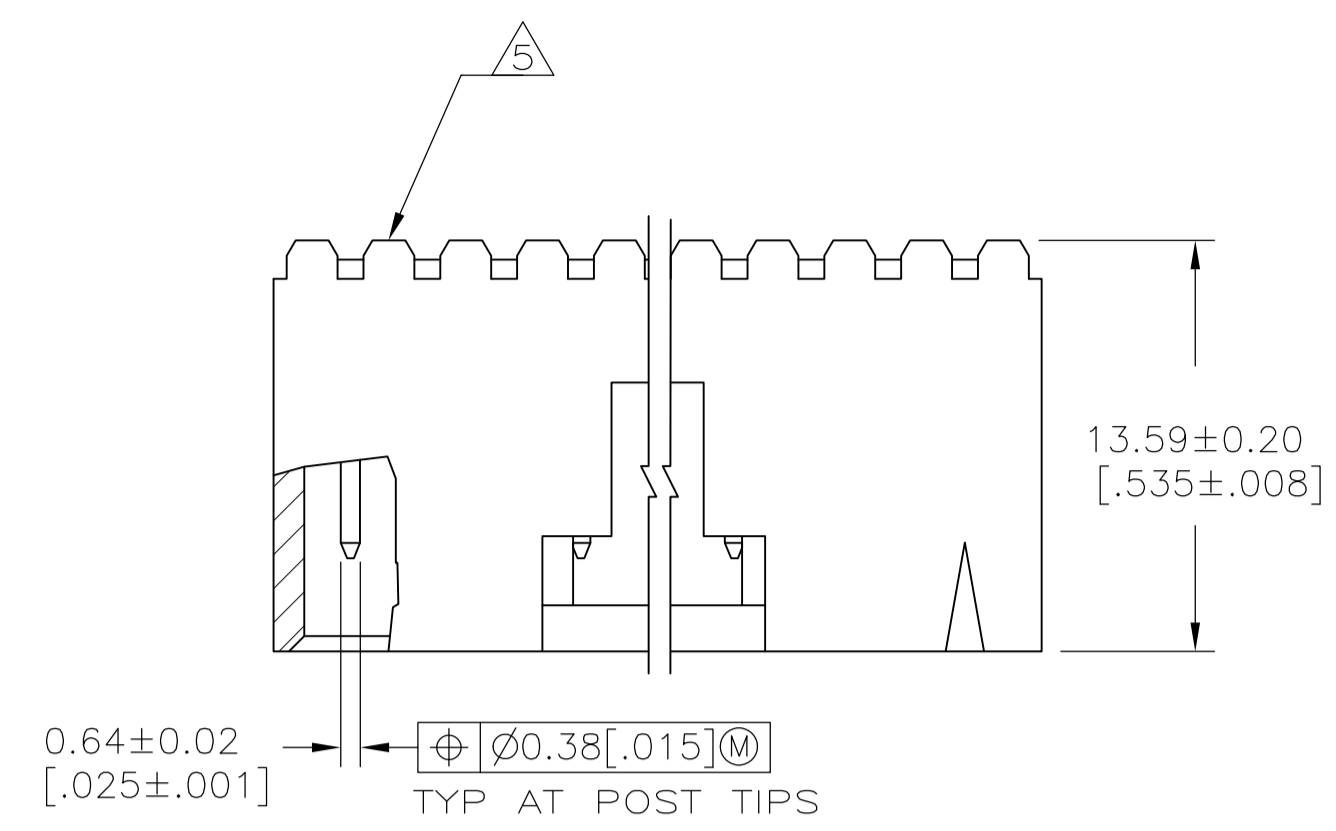
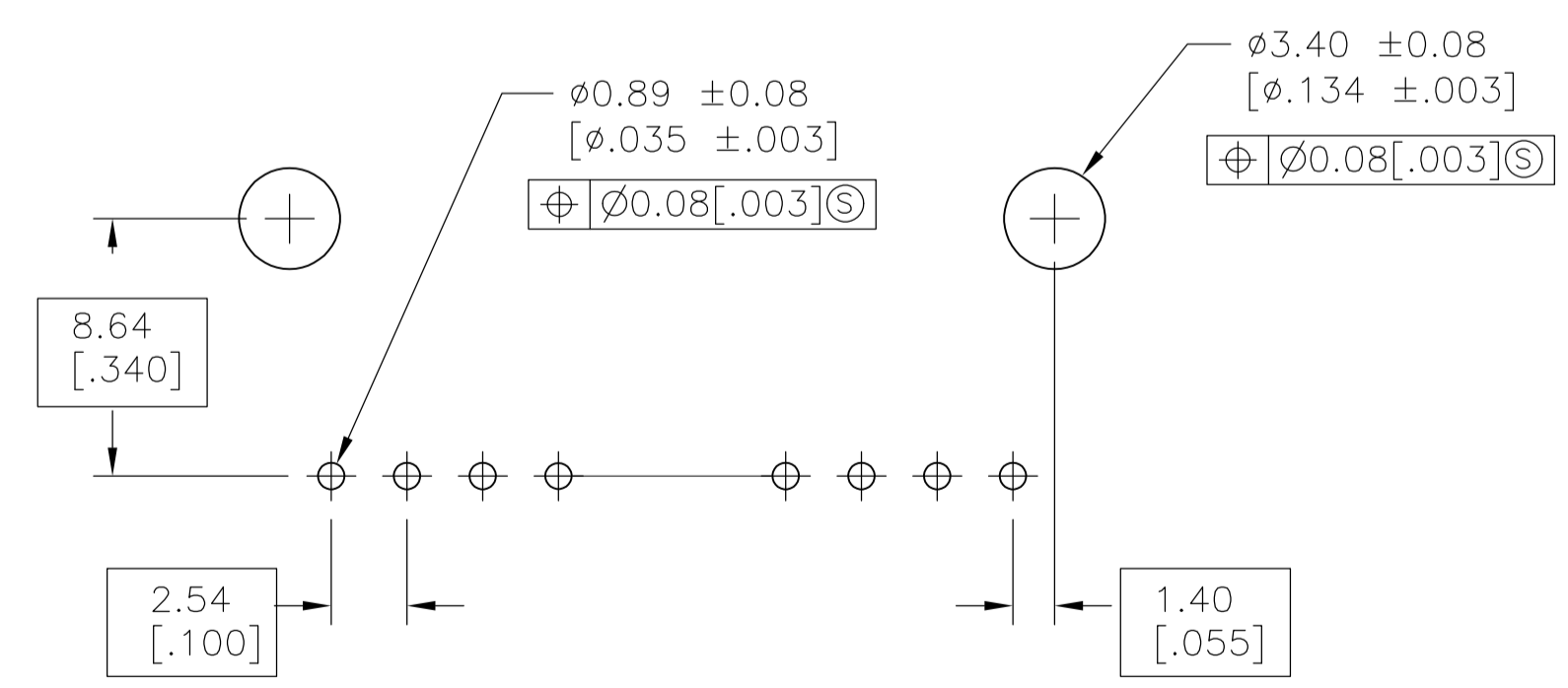


REVISIONS					
P	LTR	DESCRIPTION	DATE	DMN	APVD
AC3	REVISED PER	ECO-11-004587	11MAR11	RK	HMR
AD	REVISED PER	ECO-17-002583	08APR2017	RS	MM



SECTION A-A



RECOMMENDED HOLE LAYOUT

THIS DRAWING IS A CONTROLLED DOCUMENT.		DIN R BROWN 09FEB01	TE Connectivity
DIMENSIONS: mm		CHK K WRIGHT 09FEB01	
TOLERANCES UNLESS OTHERWISE SPECIFIED:		APVD K WRIGHT 09FEB01	NAME
0. PLC ± -	1. PLC ± -	PRODUCT SPEC	HDR ASSY, RTANG, SINGLE ROW
2. PLC ± 0.13[.005]	3. PLC ± -	APPLICATION SPEC	108-25034
4. PLC ± -	ANGLES ± -	SIZE	114-25026
MATERIAL	FINISH SEE TABLE	WEIGHT	A1 00779 C=103672
CUSTOMER DRAWING		SCALE 4:1	SHEET 1 OF 2 REV AD

REVISIONS					
P	LTR	DESCRIPTION	DATE	DMN	APVD
		SEE SHEET 1	-	-	-

- ① .000100 BRIGHT TIN-LEAD OVER .000050 NICKEL.
- ② POINT OF MEASUREMENT FOR PLATING THICKNESS.
- ③ THE NOTED DIMENSIONS APPLY AT THE INTERSECTION OF THE POST AND THE HOUSING.
- ④ ON ASSEMBLIES WITH FOUR OR MORE POSITIONS, TWO POLARIZATION SLOTS.
ON ASSEMBLIES WITH TWO OR THREE POSITIONS, ONE POLARIZATION SLOT.
- ⑤ AMP TRADEMARK MOLDED ON THIS SURFACE.
- 6. FOR USE WITH 1.57±0.20[.062±.008] PRINTED CIRCUIT BOARD.
- △ MATERIAL: HOUSING- FLAME RETARDANT LCP, COLOR-BLACK.
POSTS- BRASS.
- ⑧ .000100 BRIGHT TIN OVER .000050 NICKEL.
- ⑨ PRELIMINARY PART - NOT RELEASED FOR PRODUCTION.
- ⑩ .000100 MATTE TIN OVER .000050 NICKEL.
- ⑪ HIGH TEMPERATURE CONFIGURATION
- ⑫ OBSOLETE PARTS: OBSOLETE CIS STREAMLINING PER D.RENAUD/D.SINISI

		64.01 [2.520]	65.91 [2.595]	24	25	⑫ 7-103672-4
		61.47 [2.420]	63.37 [2.495]	23	24	⑫ 7-103672-3
		58.93 [2.320]	60.83 [2.395]	22	23	⑫ 7-103672-2
		56.39 [2.220]	58.29 [2.295]	21	22	⑫ 7-103672-1
		53.85 [2.120]	55.75 [2.195]	20	21	⑫ 7-103672-0
		51.31 [2.020]	53.21 [2.095]	19	20	6-103672-9
		48.77 [1.920]	50.67 [1.995]	18	19	⑫ 6-103672-8
		46.23 [1.820]	48.13 [1.895]	17	18	⑫ 6-103672-7
		43.69 [1.720]	45.59 [1.795]	16	17	⑫ 6-103672-6
		41.15 [1.620]	43.05 [1.695]	15	16	6-103672-5
		38.61 [1.520]	40.51 [1.595]	14	15	⑫ 6-103672-4
		36.07 [1.420]	37.97 [1.495]	13	14	⑫ 6-103672-3
		33.53 [1.320]	35.43 [1.395]	12	13	⑫ 6-103672-2
		30.99 [1.220]	32.89 [1.295]	11	12	6-103672-1
		28.45 [1.120]	30.35 [1.195]	10	11	⑫ 6-103672-0
		25.91 [1.020]	27.81 [1.095]	9	10	5-103672-9
		23.37 [.920]	25.27 [0.995]	8	9	⑫ 5-103672-8
		20.83 [.820]	22.73 [.895]	7	8	5-103672-7
		18.29 [.720]	20.19 [.795]	6	7	5-103672-6
		15.75 [.620]	17.65 [.695]	5	6	5-103672-5
		13.21 [.520]	15.11 [.595]	4	5	5-103672-4
		10.67 [.420]	12.57 [.495]	3	4	5-103672-3
		8.13 [.320]	10.03 [.395]	2	3	5-103672-2
		5.59 [.220]	7.49 [.295]	1	2	5-103672-1
REMARKS	PLATING	C	B	A	NO. OF POSN	PART NO.

		25.91 [1.020]	27.81 [1.095]	9	10	3-103672-0
		15.75 [.620]	17.65 [.695]	5	6	2-103672-9
		5.59 [.220]	7.49 [.295]	1	2	2-103672-8
		13.21 [.520]	15.11 [.595]	4	5	2-103672-7
		10.67 [.420]	12.57 [.495]	3	4	2-103672-6
		8.13 [.320]	10.03 [.395]	2	3	2-103672-5
		64.01 [2.520]	65.91 [2.595]	24	25	⑫ 2-103672-4
		61.47 [2.420]	63.37 [2.495]	23	24	⑫ 2-103672-3
		58.93 [2.320]	60.83 [2.395]	22	23	⑫ 2-103672-2
		56.39 [2.220]	58.29 [2.295]	21	22	⑫ 2-103672-1
		53.85 [2.120]	55.75 [2.195]	20	21	⑫ 2-103672-0
		51.31 [2.020]	53.21 [2.095]	19	20	⑫ 1-103672-9
		48.77 [1.920]	50.67 [1.995]	18	19	⑫ 1-103672-8
		46.23 [1.820]	48.13 [1.895]	17	18	⑫ 1-103672-7
		43.69 [1.720]	45.59 [1.795]	16	17	⑫ 1-103672-6
		41.15 [1.620]	43.05 [1.695]	15	16	1-103672-5
		38.61 [1.520]	40.51 [1.595]	14	15	1-103672-4
		36.07 [1.420]	37.97 [1.495]	13	14	⑫ 1-103672-3
		33.53 [1.320]	35.43 [1.395]	12	13	⑫ 1-103672-2
		30.99 [1.220]	32.89 [1.295]	11	12	1-103672-1
		28.45 [1.120]	30.35 [1.195]	10	11	1-103672-0
		25.91 [1.020]	27.81 [1.095]	9	10	103672-9
		23.37 [.920]	25.27 [0.995]	8	9	103672-8
		20.83 [.820]	22.73 [.895]	7	8	103672-7
		18.29 [.720]	20.19 [.795]	6	7	103672-6
		15.75 [.620]	17.65 [.695]	5	6	103672-5
		13.21 [.520]	15.11 [.595]	4	5	103672-4
		10.67 [.420]	12.57 [.495]	3	4	103672-3
		8.13 [.320]	10.03 [.395]	2	3	103672-2
		5.59 [.220]	7.49 [.295]	1	2	103672-1
REMARKS	PLATING	C	B	A	NO. OF POSN	PART NO.

THIS DRAWING IS A CONTROLLED DOCUMENT.

DIMENSIONS:	TOLERANCES UNLESS OTHERWISE SPECIFIED:	DIN R BROWN 09FEB01	APVD K WRIGHT 09FEB01	NAME
mm	0 PLC ± -	CHK K WRIGHT 09FEB01	NAME	HDR ASSY, RTANG, SINGLE ROW
	1 PLC ± -	APVD K WRIGHT 09FEB01	NAME	2.54[.100] CL, 0.64[.025] SQ POST.
	2 PLC ± 0.13[.005]	NAME	PRODUCT SPEC	108-25034
	3 PLC ± -	NAME	APPLICATION SPEC	114-25026
	4 PLC ± -	SIZE	CAGE CODE	DRAWING NO
	ANGLES ± -	WEIGHT	A1	00779
MATERIAL	FINISH	CUSTOMER DRAWING	SCALE	4:1
SEE TABLE	SEE TABLE	SHEET	2	OF 2

RESTRICTED TO

Mouser Electronics

Authorized Distributor

Click to View Pricing, Inventory, Delivery & Lifecycle Information:

[TE Connectivity:](#)

[103672-9](#)