

THIS DRAWING IS UNPUBLISHED.

RELEASED FOR PUBLICATION

ALL RIGHTS RESERVED.

© COPYRIGHT - By -

LOC FT DIST 0

REVISIONS

P	LTR	DESCRIPTION	DATE	DWN	APVD
	A6	ADD- RECOMMENDED PCB LAYOUT	17MAR2015	CR	PS

MATERIALS:

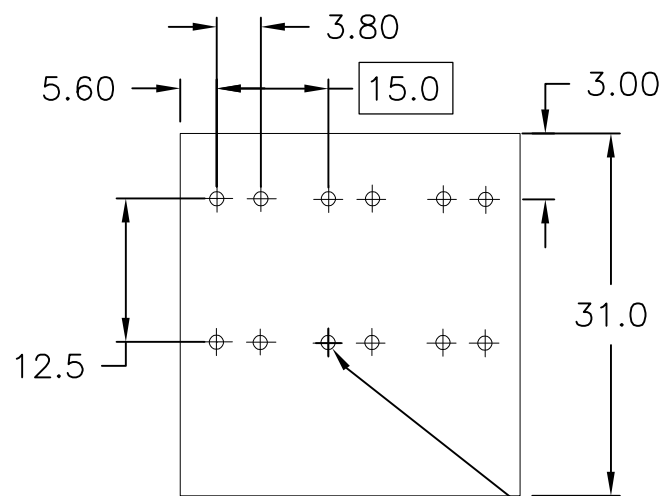
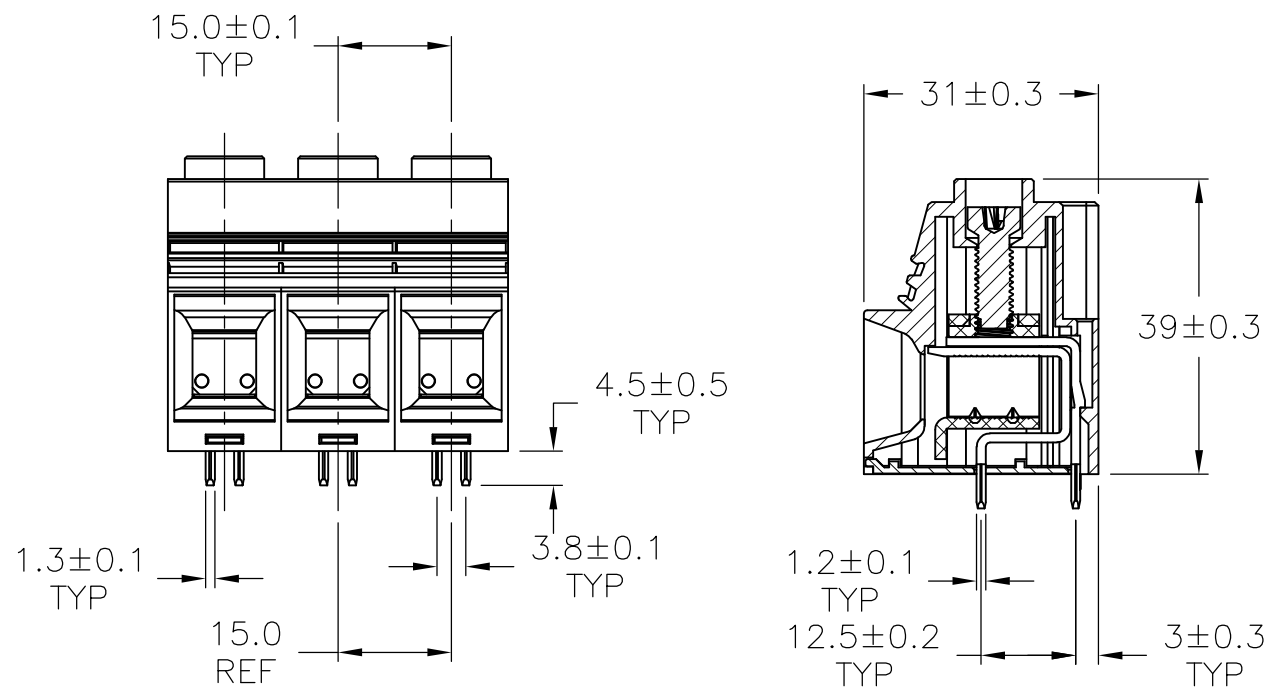
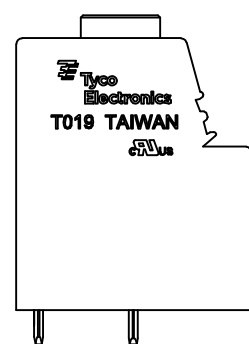
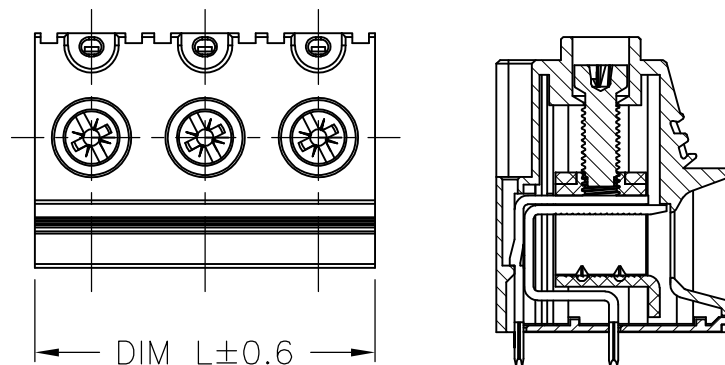
HOUSING: PA66, UL94V-0, COLOR: GREEN.  
 TERMINAL: BRASS, TIN PLATED.  
 CAGE CLAMP: STEEL, ZINC PLATED.  
 SCREW: M5, STEEL, TRI-CHROMATE.

ELECTRICAL:

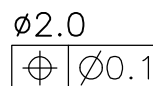
CURRENT RATING: 125A  
 VOLTAGE RATING: 600V.  
 INSULATION WITHSTANDS: AC2000V MIN  
 INSULATION RESISTANCE: 2000Mohm/DC500V  
 WIRE RANGE: 1-20 AWG

MECHANICAL:

SCREW TORQUE: 30 IN-LB  
 OPERATING TEMP.: -40° TO +105°C  
 WIRE STRIP LENGTH: 18mm



RECOMMENDED PCB LAYOUT



120.00	8	1986242-8
105.00	7	1986242-7
90.00	6	1986242-6
75.00	5	1986242-5
60.00	4	1986242-4
45.00	3	1986242-3
30.00	2	1986242-2
DIM L	NO OF POS	PART NUMBER

THIS DRAWING IS A CONTROLLED DOCUMENT.		DWN S SCHLEGEL 28AUG2007	<b>STE</b> TE Connectivity	
DIMENSIONS: mm		CHK C RICHARD 8/28/07		
TOLERANCES UNLESS OTHERWISE SPECIFIED: ±0.1		APVD C RICHARD 8/28/07	NAME POWER CONNECTOR 15.0mm PITCH	
0 PLC ± -		PRODUCT SPEC	-	
1 PLC ± -		APPLICATION SPEC	-	
2 PLC ± -		WEIGHT	-	
3 PLC ± -		CUSTOMER DRAWING	SIZE A3	CAGE CODE 00779
4 PLC ± -		FINISH	DRAWING NO C-1986242	RESTRICTED TO
ANGLES ± 1°			SCALE 1:1	SHEET 1 OF 1
MATERIAL -			REV A6	

# Mouser Electronics

Authorized Distributor

Click to View Pricing, Inventory, Delivery & Lifecycle Information:

[TE Connectivity:](#)

[1986242-7](#)