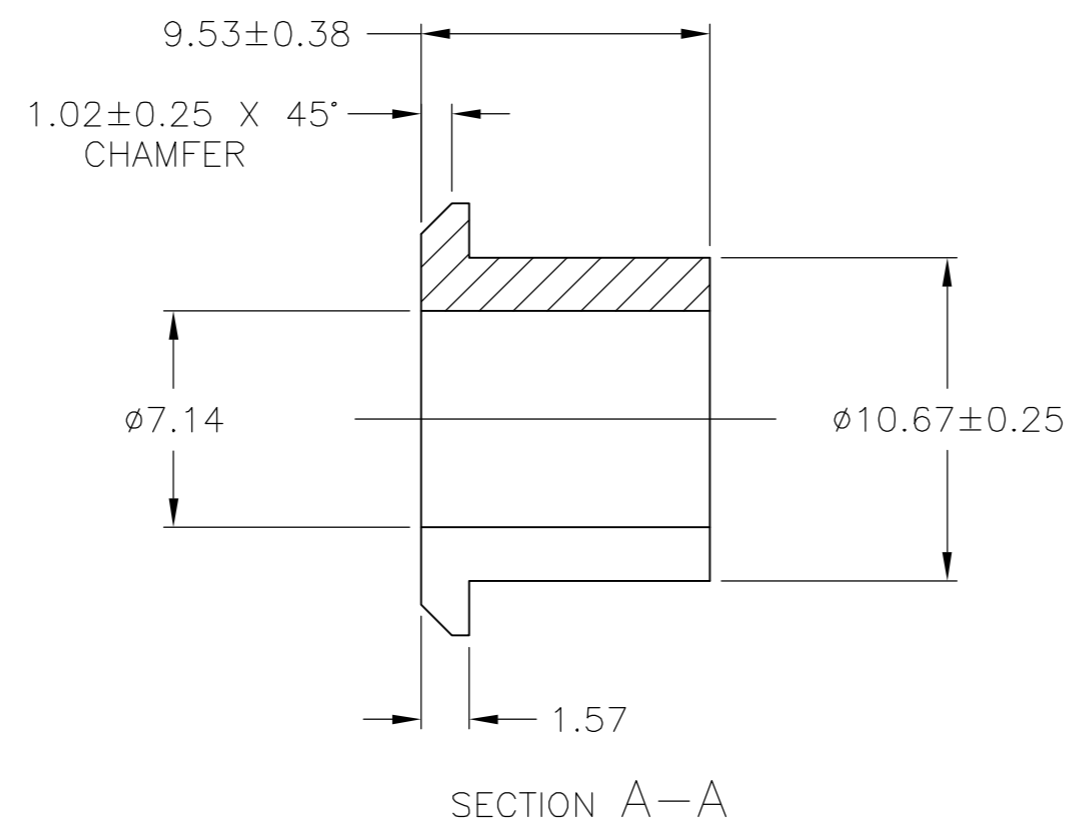
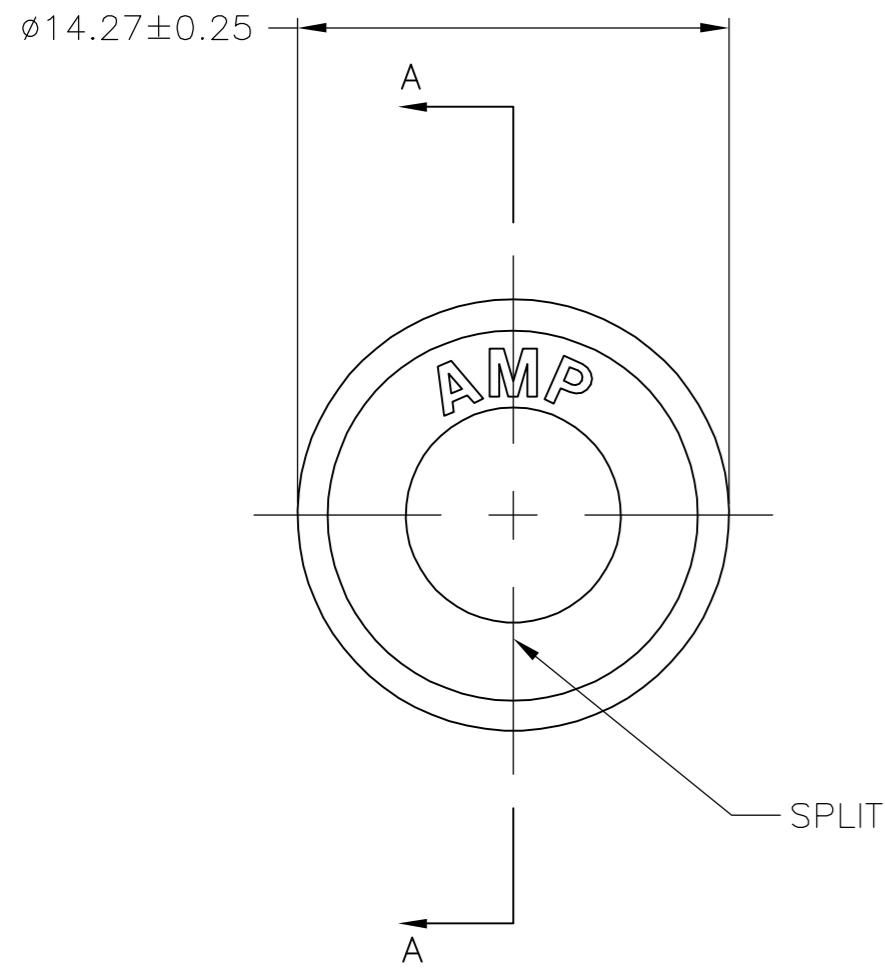
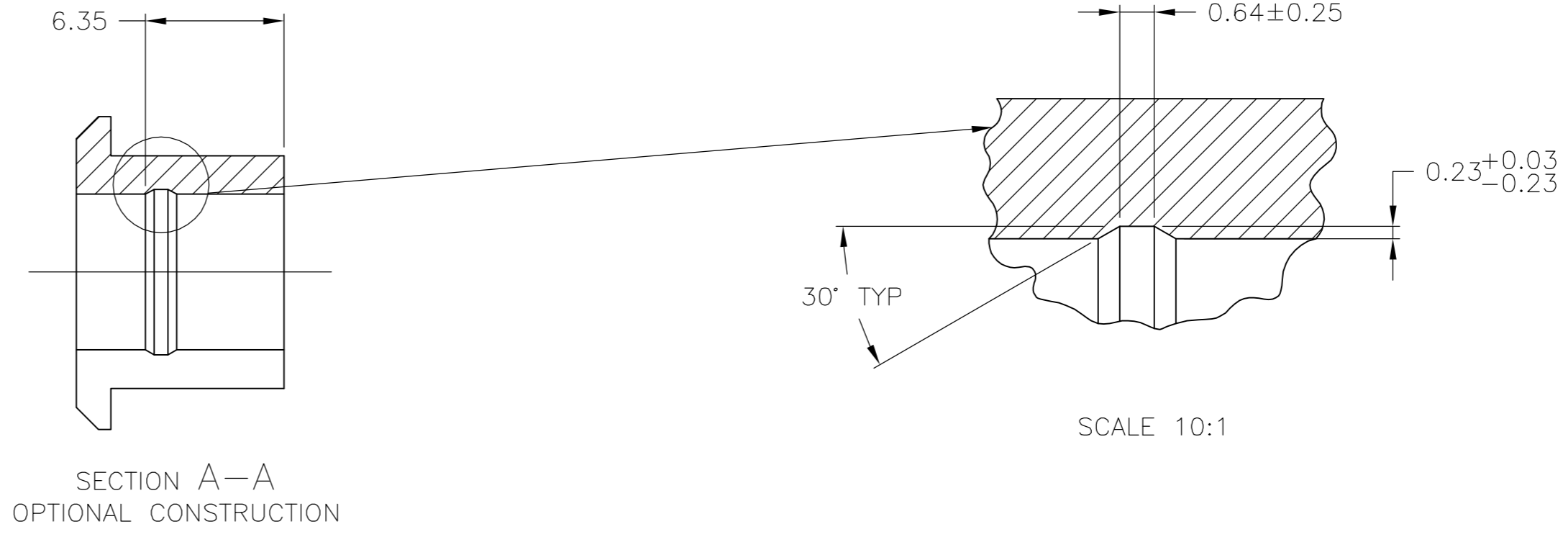
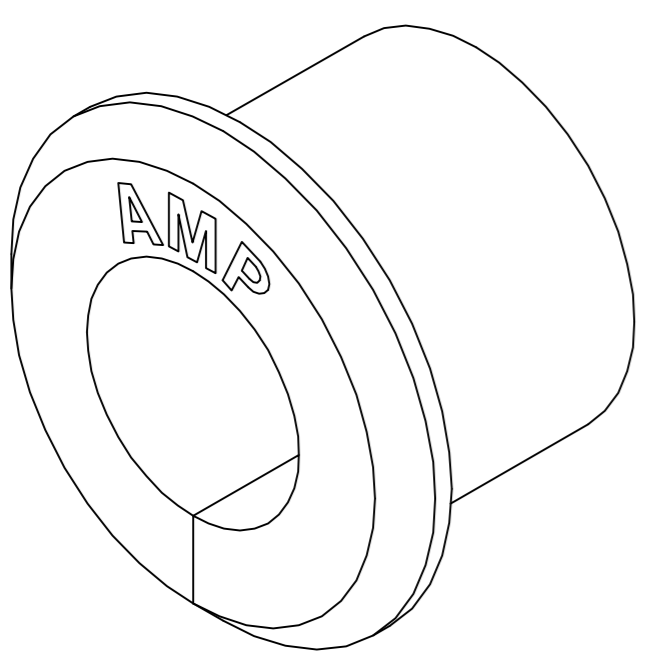


THIS DRAWING IS UNPUBLISHED. RELEASED FOR PUBLICATION
 © COPYRIGHT BY TYCO ELECTRONICS CORPORATION. ALL RIGHTS RESERVED.

LOC		DIST		REVISIONS			
P	LTR	DESCRIPTION	DATE	DWN	APVD		
CM	0	H	ECO-06-012706	09JUN06	BSV	JR	



- USE WITH STRAIN RELIEF 350374.
- MOLDING COMPOUND PVC,FLEXIBLE, 55/75 DUROMETER (B SCALE),BLACK.
- MOLDING COMPOUND PVC,FLEXIBLE,BLACK.



3-DIMENSIONAL MODEL NTS

SUPERCEDED BY 2-350380-1	$\Delta 3$	2-350380-1
	$\Delta 2$	1-350380-1
	MATERIAL	PART NUMBER

MM	IN	MM	IN	MM	IN
0.38	.015	7.14	.281	-	-
0.25	.010	6.35	.250	-	-
0.23	.009	1.57	.062	14.27	.562
0.13	.005	1.02	.040	10.67	.420
0.03	.001	0.64	.025	9.53	.375

CONVERSION TABLE

METRIC

THIS DRAWING IS A CONTROLLED DOCUMENT.		DWN K. WHITAKER 24MAR06	Tyco Electronics Corporation Harrisburg, Pa 17105-3608	
DIMENSIONS: mm		CHK C. JONES 24MAR06	NAME GROMMET,SPLIT,M.R.	
TOLERANCES UNLESS OTHERWISE SPECIFIED: 0 PLC ± - 1 PLC ± - 2 PLC ± - 3 PLC ± 0.13 4 PLC ± - ± 1'0"		APVD C. JONES 24MAR06	PRODUCT SPEC -	
MATERIAL SEE TABLE		FINISH -	WEIGHT -	RESTRICTED TO -
CUSTOMER DRAWING		SCALE 4:1	SHEET 1 OF 1	REV H

350380

Mouser Electronics

Authorized Distributor

Click to View Pricing, Inventory, Delivery & Lifecycle Information:

[TE Connectivity:](#)

[2-350380-1](#)