

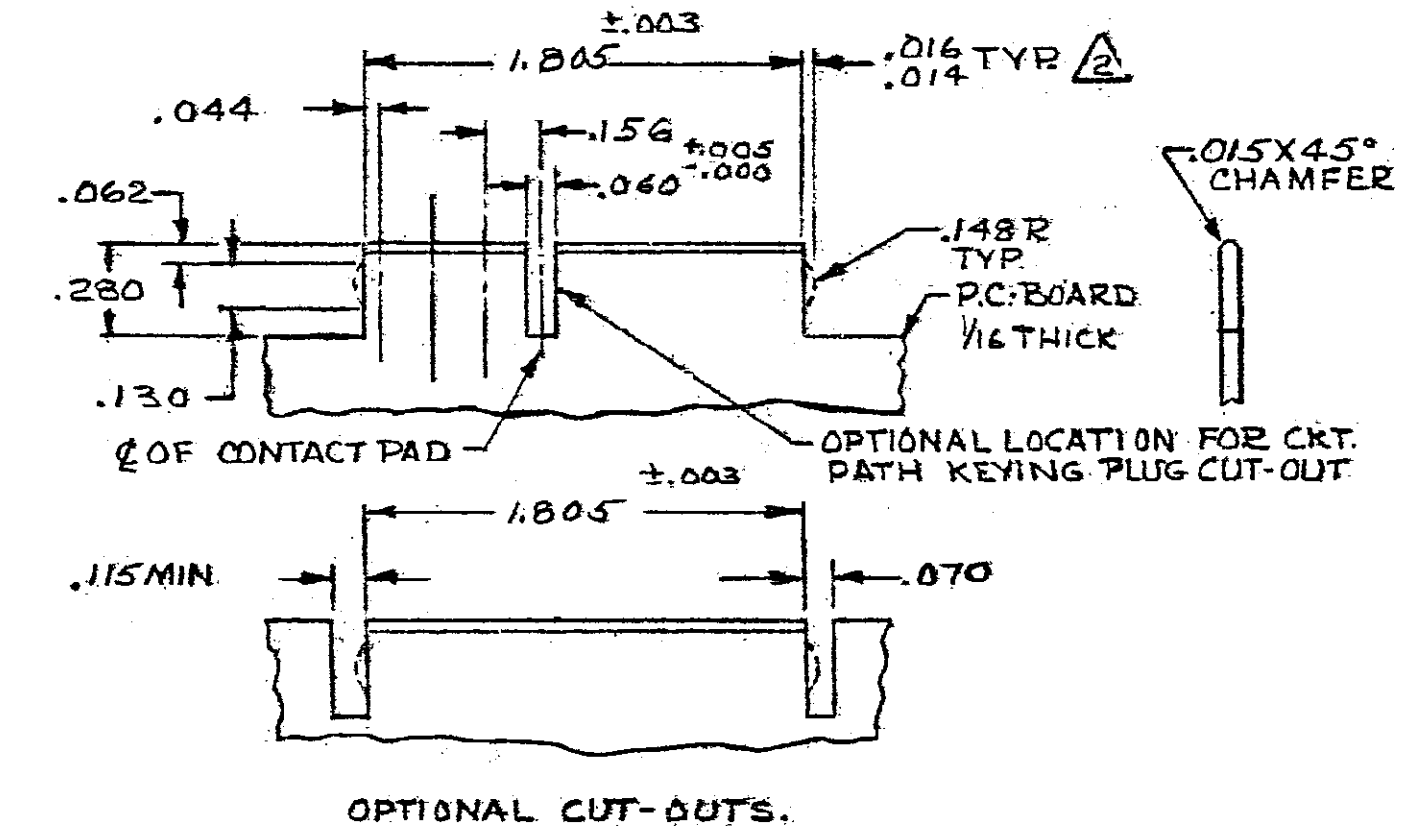
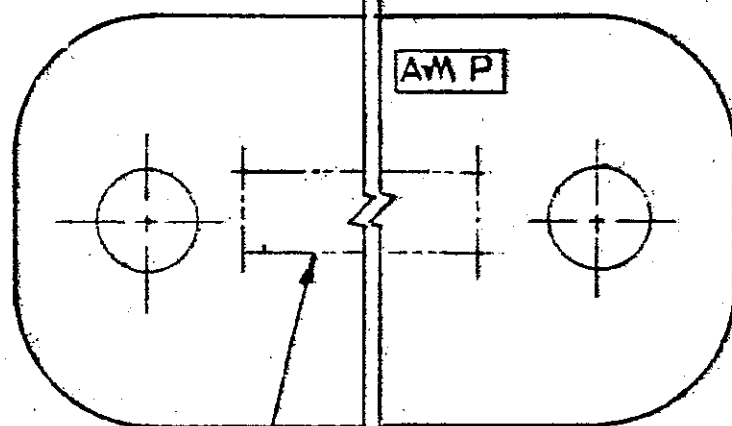
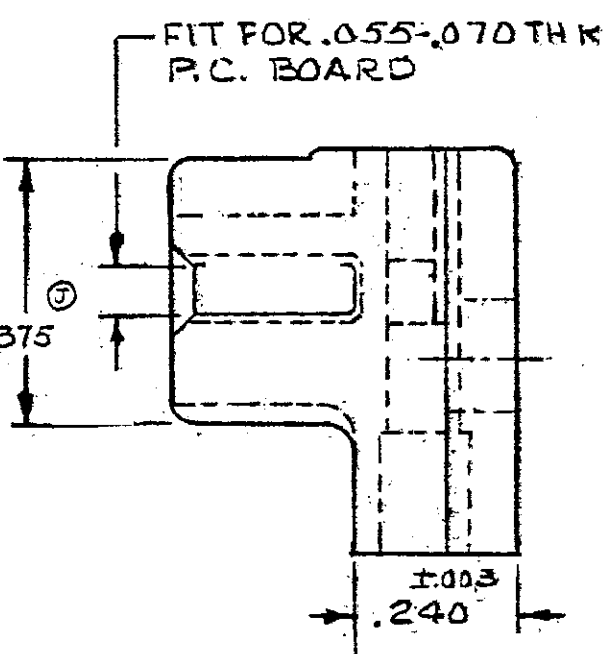
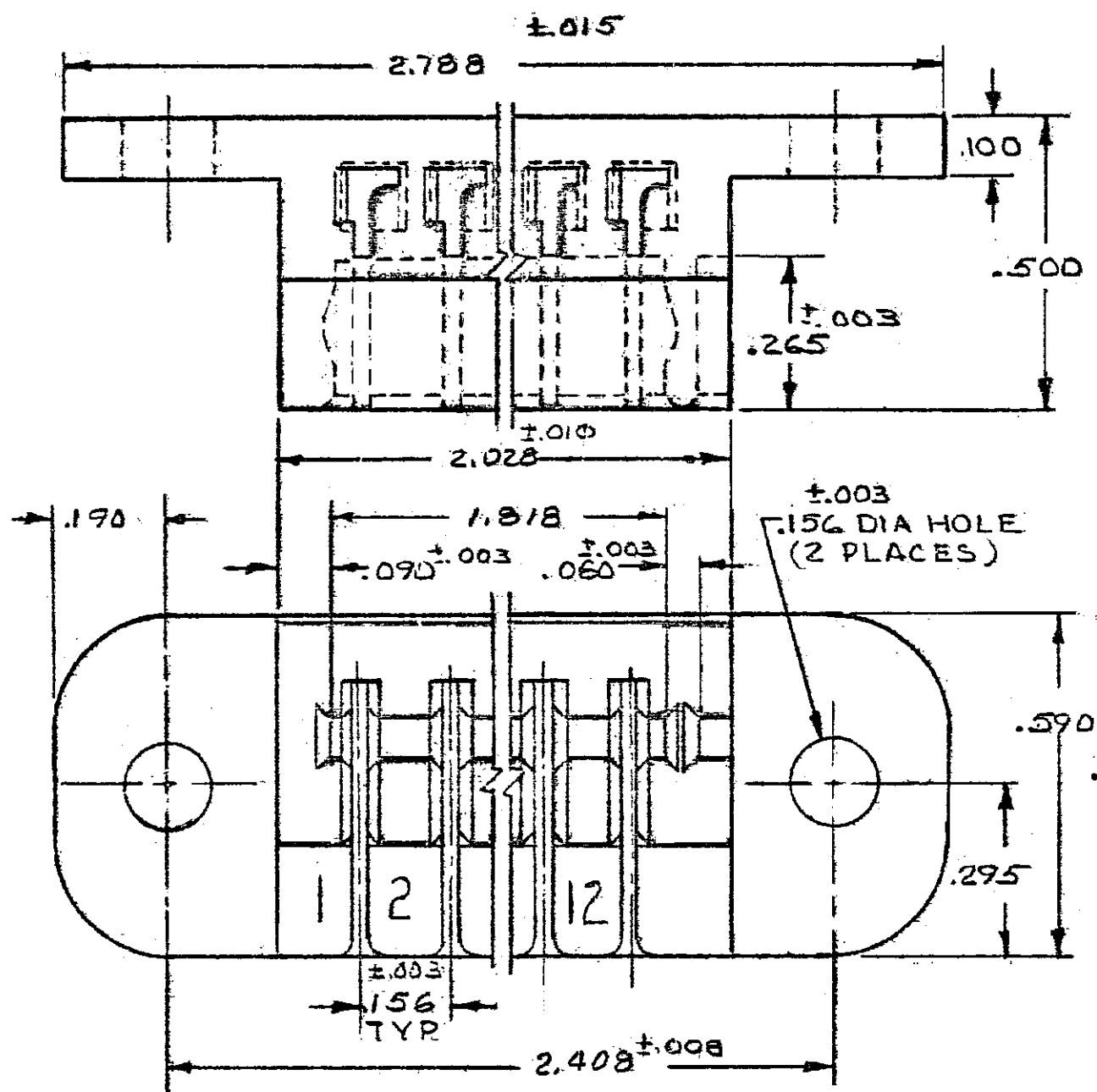
DRAWING MADE IN AMERICAN PROJECTION

© 1972 BY AMP INCORPORATED. ALL RIGHTS RESERVED. AMP PRODUCTS COVERED BY PATENTS AND OR PATENTS PENDING.

REVISIONS				
ZONE	LTR	DESCRIPTION	DATE	APPROVED
	H1	REDRAWN WITHOUT CHANGE	3588 DR 2-3-72	DH
	J	REVISED	3535 m.s. 6-8-72	DH
	K	REV PER AD 1746	831-87 LB	MM
	L	OBS-1 PER ECN 0694-93	1-93	MM
	M	REV PER 0010-1143-95	11-95	P.B.
	N	REV PER EC 0G3C-233-01	03OCT01	MM

PART N <sup>o</sup>	COLOR
582384-1	BROWN
582384-2	RED
582384-3	ORANGE
582384-4	YELLOW
582384-5	GREEN
582384-6	BLUE
582384-7	VIOLET
582384-8	GRAY
582384-9	NATURAL
582384-0	BLACK

OBSOLETE



- REFER TO 60215 & 583284 FOR TERMINAL.
- THE RETAINING DIMPLES ARE OPTIONAL IN BOTH CUT-OUTS.
- CARD SLOT AND MOUNTING HOLE DIMENSIONS TO BE CHECKED WITH HOUSING RESTRAINED. (AS MOUNTED)

UNLESS OTHERWISE SPECIFIED, DIMENSIONS ARE IN INCHES TOLERANCES ON: DECIMALS ±.005 ANGLES ±	CONTRACT NO.	AMP INCORPORATED HARRISBURG, PENNSYLVANIA	
	MATERIAL NYLON	DR: <i>P. Rumble</i> 2-3-72 CHG: <i>J.S. Wade</i> 2-21-72 APPD: <i>Dr. Bushey</i> 2-22-72 REL: <i>R. Sproun</i> 2-22-72	NAME: <b>HOUSING, DUO-TYNE FLAG, WITH MOUNTING HOLES. 12 POSITION</b>
	SIZE: C	CODE & DESIG. NO.: 00779	NUMBER: 582384
	OTHER APPD:	SCALE: 4-1	SHEET: 1 OF 1

LOG  
REV  
00

582384

# Mouser Electronics

Authorized Distributor

Click to View Pricing, Inventory, Delivery & Lifecycle Information:

[TE Connectivity:](#)

[582384-9](#)