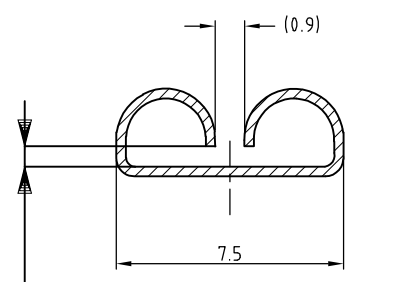
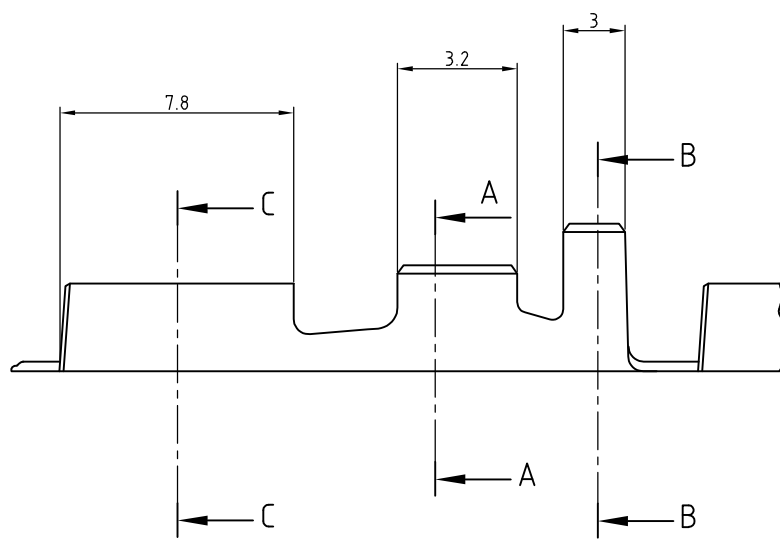
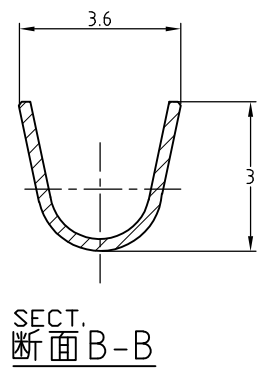
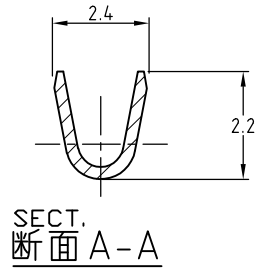
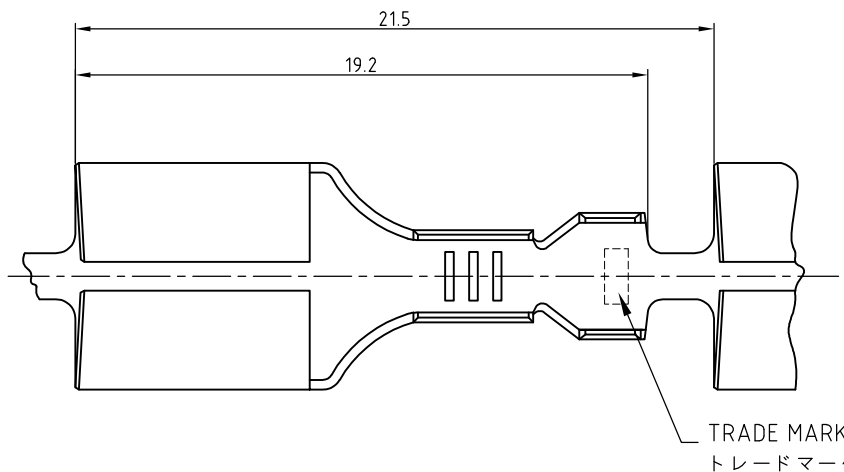


LOC J	DIST —	REVISIONS 変更			DATE	DWN	APVD
		P	LTR	DESCRIPTION			
			B1	REVISED PER ECO-11-005030	11MAR11	RK	HMR



この寸法はかん合力によって規定する。
THIS DIMENSION IS CONTROLLED WITH MATING FORCE

NOTE;
 △ STRESS RELIEVING FINISH IS SUBJECT TO CHANGE BY THE TYPE OF STRESS RELIVING PROCESS
 INERT GAS FURNACE --- MATTE
 ATMOSPHERIC FURNACE FOLLOWED BY ACID PICKLE --- BRIGHT

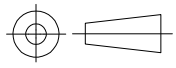
注：
 △1 ストレス除去処理
 処理法により外観が変わります。
 不活性ガス加熱方式 --- 無光沢
 大気加熱方式 --- 光沢

TIN PLATING 錫めっき	BRASS THICKNESS 黄銅 板厚 0.32	170384-2
— // —	BRASS THICKNESS 黄銅 板厚 0.32	170384-1
FINISH 仕上 △	MATERIAL 材質	PART NO. 型番

THIS DRAWING IS UNPUBLISHED. ALL RIGHTS RESERVED. RELEASED FOR PUBLICATION BY — COPYRIGHT —

WIRE RANGE 絶縁電線断面積 0.3~0.5mm ² (AWG#22-20)	INSULATION DIA 被覆外径 1.5~2.2mmφ
--	-----------------------------------

DIMENSIONS: 単位：耗 mm	DWN J.SATO 17MAY2007	MATERIAL 材料 SEE TABLE	FINISH 仕上 SEE TABLE
TOLERANCES UNLESS OTHERWISE SPECIFIED: 一般公差	CHK S.MANABE 17MAY2007	TE Connectivity	
	APVD S.MANABE 17MAY2007		
	PRODUCT SPEC 製品規格		
10以下 ± 0.2	APPLICATION SPEC 取付適用規格	SIZE A4	CAGE CODE 00779
10≧ 30以下 ± 0.25	WEIGHT	DRAWING NO 番号 C-170384	RESTRICTED TO —
30≧ 100以下 ± 0.3			
ANGLES ± 3'			



CUSTOMER DRAWING

SCALE 尺度 4:1	SHEET 1 OF 1	REV B1
-----------------	-----------------	-----------

Mouser Electronics

Authorized Distributor

Click to View Pricing, Inventory, Delivery & Lifecycle Information:

[TE Connectivity:](#)

[170384-2](#)