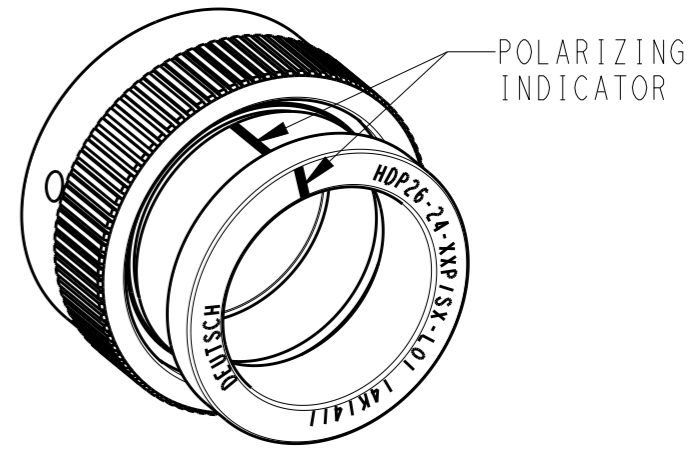
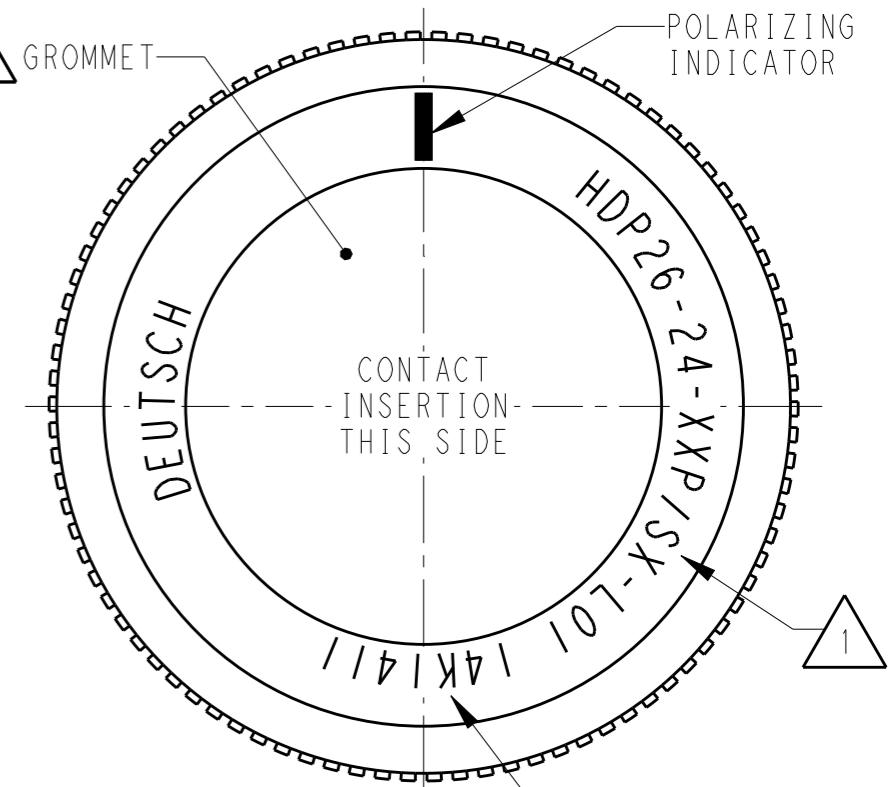
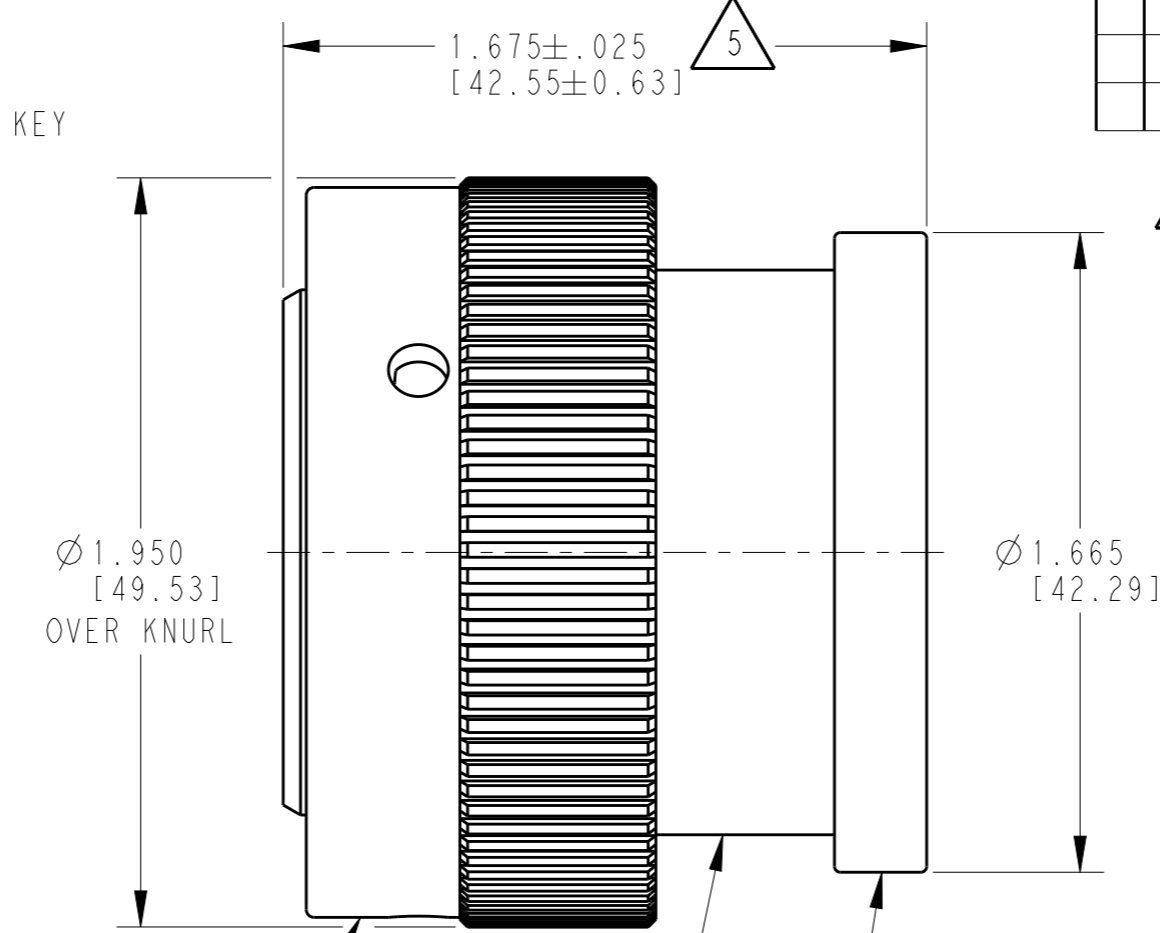
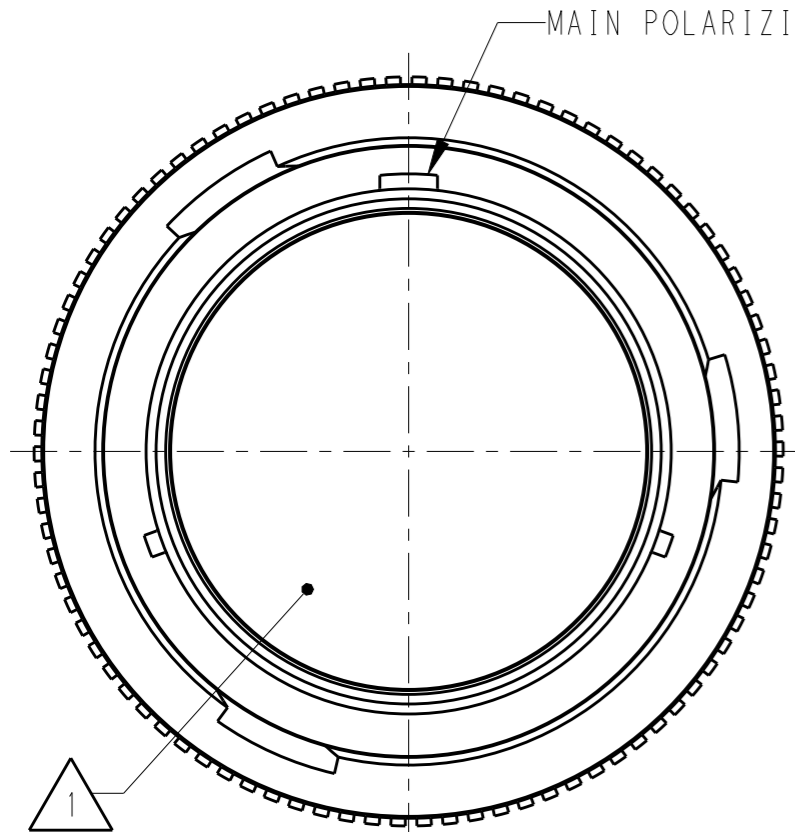


| P  | LTR | DESCRIPTION                 | DATE      | DWN | APVD |
|----|-----|-----------------------------|-----------|-----|------|
| NC |     | NEW RELEASE PER E.O. P15607 | 15MAY1998 | JW  | RDR  |
| A  |     | REVISED PER E.O. P15939     | 06APR1999 | RO  | RDR  |
| B  |     | REVISED PER E.O. P20700     | 09NOV2010 | IG  | RDR  |
| C  |     | REVISED PER ECO-14-019072   | 23FEB2015 | JA  | DM   |



SCALE 1:1

- 6 PART MODIFICATION: BACKSHELL ADAPTER ACCEPTS BACKSHELLS:  
2428-004-2405, 2428-008-2405  
2428-010-2405, 2428-011-2405
- 5 NOTED DIMENSION DOES NOT INCLUDE GROMMET PROTRUSION.
- 4 MATERIAL: PLUG HOUSING/COUPLING RING: PA66 GF10 (BLACK)  
BACKSHELL ADAPTER: PA66 GF10 (GREEN, GRAY, BLUE)  
GROMMET: SILICONE (ORANGE-RED)

- 3 SEE 0425-021-0000 APPLICATION SPECIFICATION  
A. RECOMMENDED WIRE INSULATION RANGE  
B. CONTACT REMOVAL TOOLS
- 2. THIS PLUG MATES WITH HDP24-24XXP/SX-XXXX RECEPTACLE  
X = SEAL TYPE (N,T,E)  
XX = INSERT ARRANGEMENT  
XXXX = MODIFICATION
- 1 SEE CUSTOMER DRAWING 0425-014-2400 FOR AVAILABLE INSERT ARRANGEMENTS AND PART NUMBERS.

NOTES:

|   |  |                            |  |                 |
|---|--|----------------------------|--|-----------------|
| THIS DRAWING IS A CONTROLLED DOCUMENT.  |  | DWN R. OCHOA 24MAR1999     | TE Connectivity  |                 |
| DIMENSIONS: INCHES [mm]   |  | CHK BRICE BYFORD 09NOV2010 |  |                 |
| TOLERANCES UNLESS OTHERWISE SPECIFIED:  |  | APVD STEVE BEARD 08NOV2010 | NAME PLUG, COUPLING RING SIZE 24, -L017 MOD HDP SERIES |                 |
| 0 PLC ±<br>1 PLC ±<br>2 PLC ±<br>3 PLC ±.015 [0.38]<br>4 PLC ±<br>ANGLES ±0°30'0" |  | PRODUCT SPEC 0425-021-0000 | RESTRICTED TO  |                 |
| MATERIAL 4  |  | FINISH N/A                 | SIZE A3  | CAGE CODE 4AFU8 |
|   |  | WEIGHT                     | DRAWING NO. HDP26-24-XXP/SX-L017                       |                 |
|   |  | Customer Drawing           | SCALE 2:1  | SHEET 1 OF 1    |
|   |  |                            | REV C  |                 |

# Mouser Electronics

Authorized Distributor

Click to View Pricing, Inventory, Delivery & Lifecycle Information:

[TE Connectivity:](#)

[HDP26-24-31PE-L017](#)