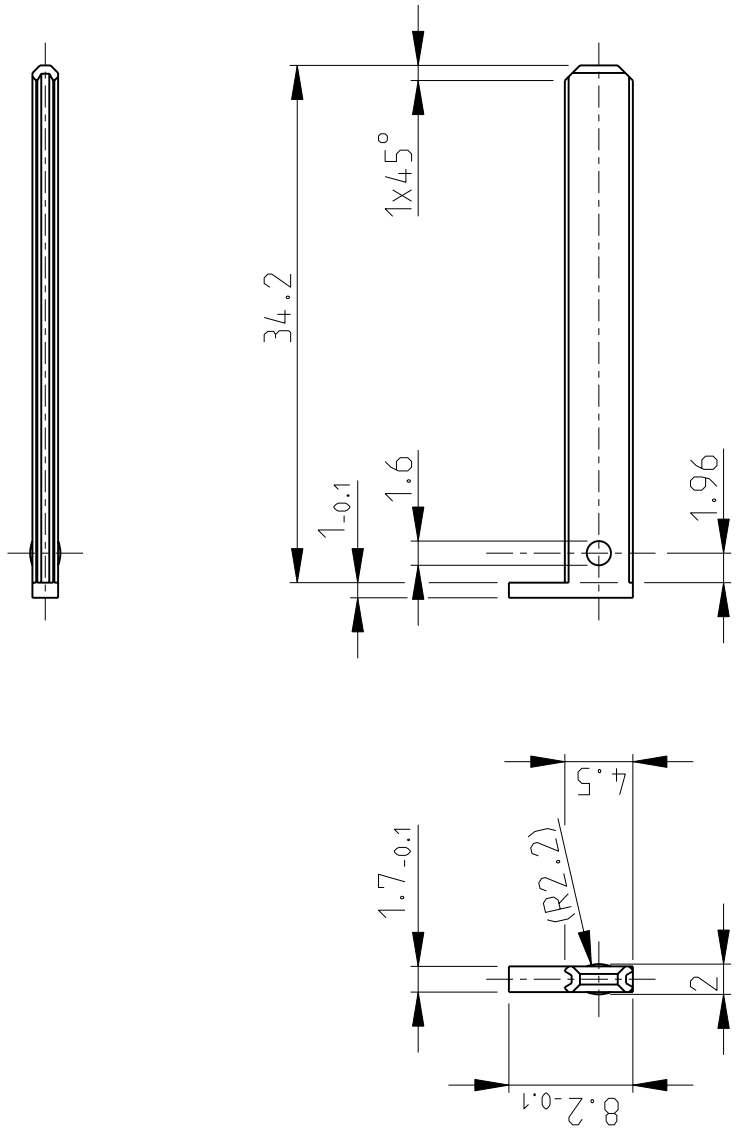


THIS DRAWING IS A CONTROLLED DOCUMENT FOR TYCO ELECTRONICS CORPORATION
 AND THE CONTROLLING ENGINEERING ORGANIZATION
 IT IS SUBJECT TO CHANGE AND SHOULD BE CONTACTED FOR THE LATEST REVISION.

LOC		DIST		REVISIONS			
P	LTR	DESCRIPTION	DATE	DWN	APVD		
	C	PN 926936-2 hinzu	18MAY1982	-	-		
	D	Benennung Korrektur	12FEB1985	Jäger	-		
	D2	NEW DRAWING CREATED	10SEP2007	Haas	Stre.		
	D3	DASH NUMBER IN TABLE CORRECTED	16JAN2008	Haas	Stre.		

THIS DRAWING IS UNPUBLISHED.
 © COPYRIGHT 2007 BY TYCO ELECTRONICS CORPORATION. ALL RIGHTS RESERVED.
 2007
 RELEASED FOR PUBLICATION



926635-2	D	$\triangle 1$	RED
926635-1	D	$\triangle 1$	BLACK
PART NO.	REV.	MATERIAL	COLOR

DIMENSIONS:		DWN	10SEP2007	MATERIAL	PA 6.6 13GV $\triangle 1$	FINISH	-
mm		CHK	11SEP2007	Tyco Electronics			
TOLERANCES UNLESS OTHERWISE SPECIFIED:		Tyco Electronics AMP GmbH 64625 Bensheim (Germany)					
0 PLC	\pm	NAME					
1 PLC	\pm	LOCKING SLIDE					
2 PLC	\pm	Kontaktsicherung fuer MODU IV Gehaeuse					
3 PLC	\pm	SIZE					
4 PLC	\pm	CAGE CODE					
ANGLES	\pm	DRAWING NO					
		A4 00779		C=926635		RESTRICTED TO	
CUSTOMER DRAWING		SCALE		2:1		SHEET 1 OF 1	
						REV D3	

Mouser Electronics

Authorized Distributor

Click to View Pricing, Inventory, Delivery & Lifecycle Information:

[TE Connectivity:](#)

[926635-2](#)