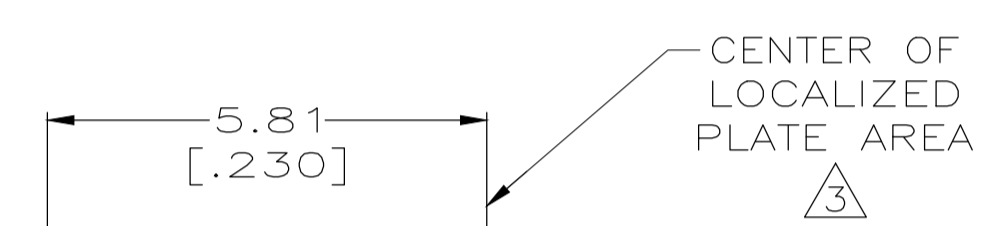
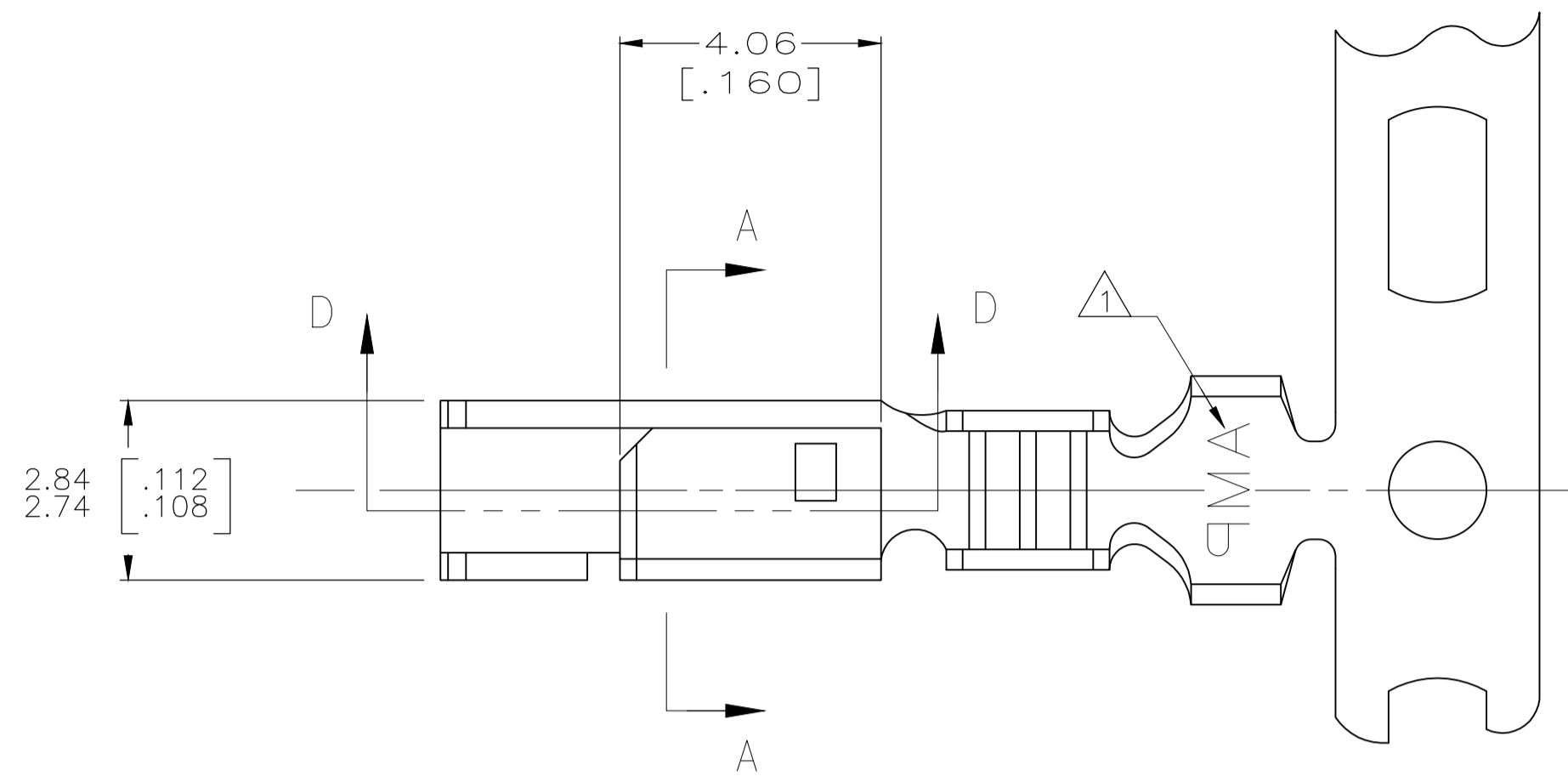
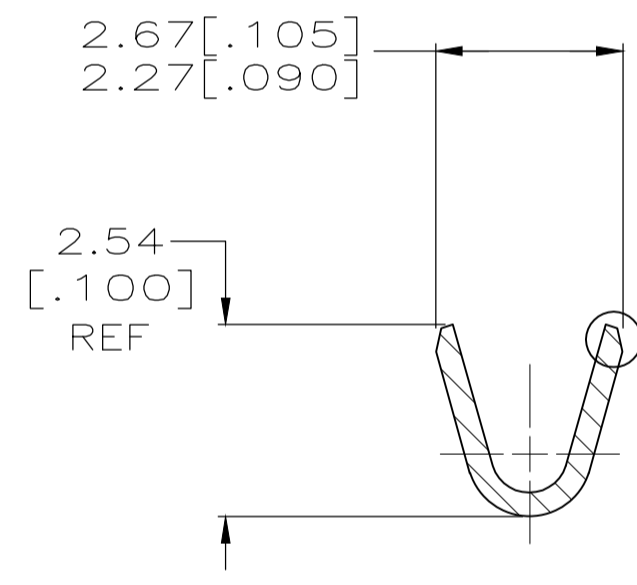
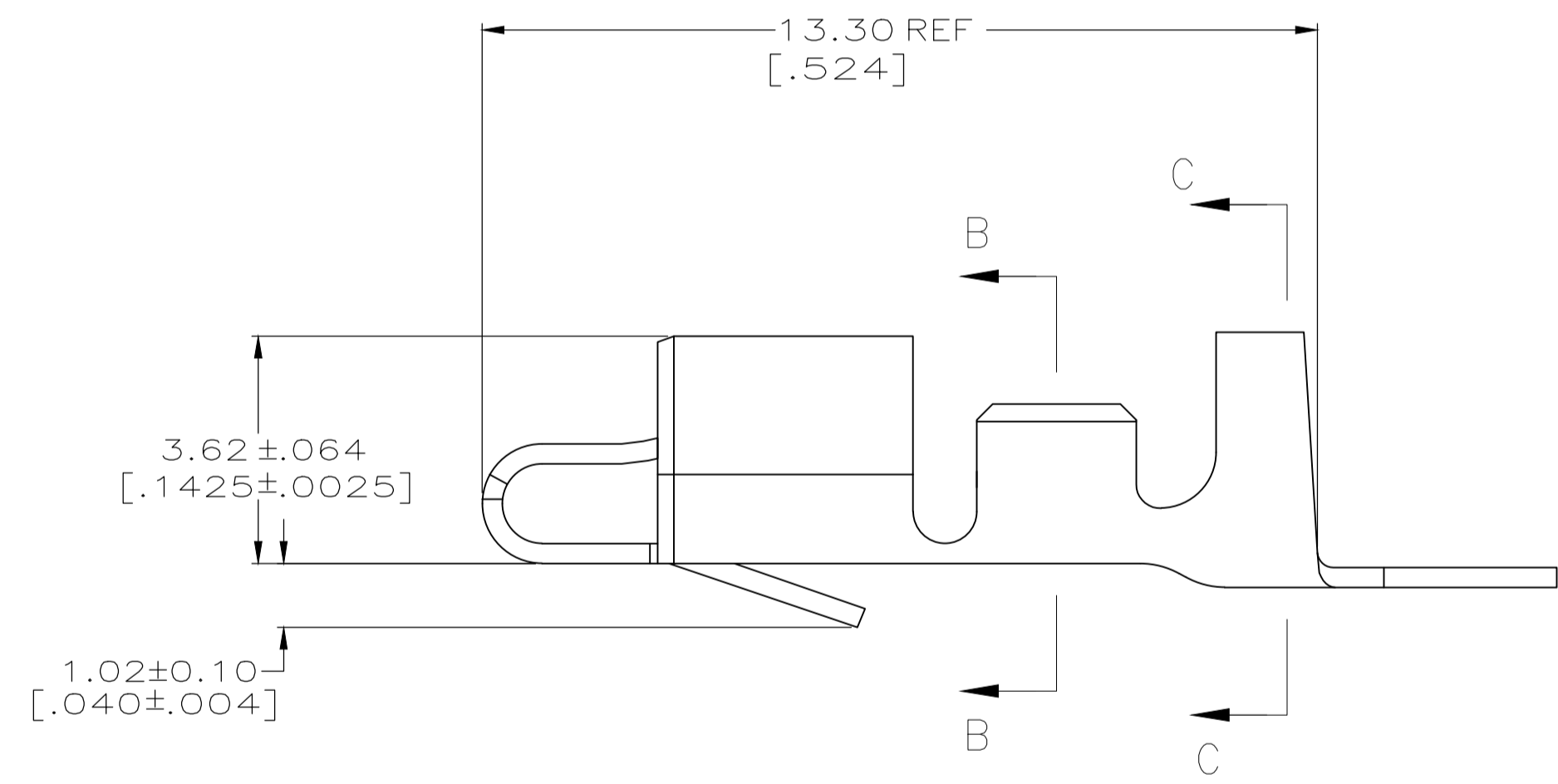


REVISIONS				
P	LTR	DESCRIPTION	DATE	BY
C3		REVISED PER ECR-18-010801	19SEP2018	BDA SG

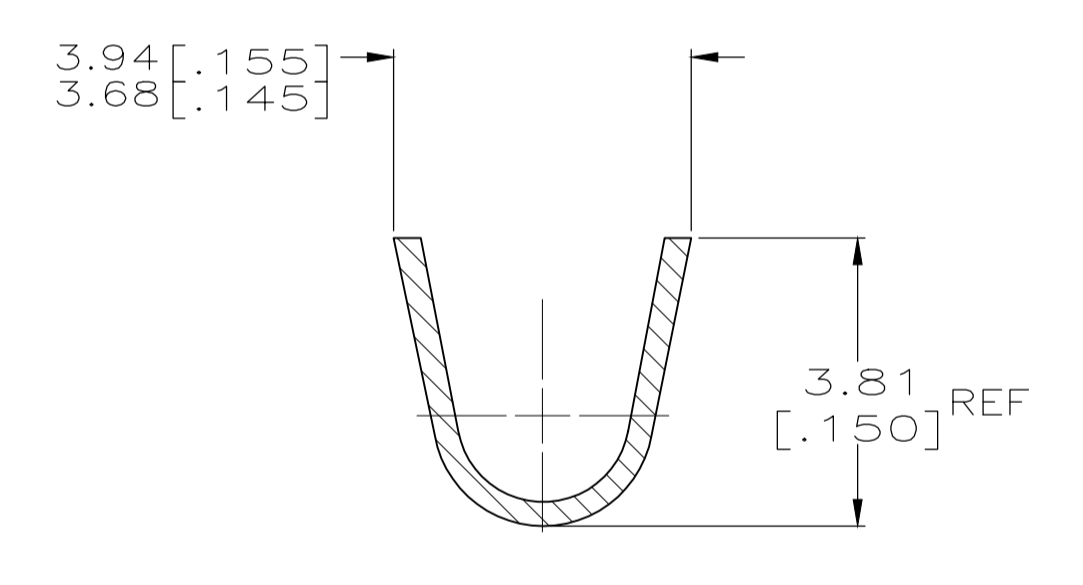
- INSULATION RANGE: 1.78-2.84 [.070-.112]
WIRE RANGE: 0.2-0.9 mm² (24-18) AWG.
- 0.00203 [.000080] MIN BRIGHT TIN-LEAD OVER
0.00127 [.000050] MIN NICKEL.
- 0.00076 [.000030] MIN THICK GOLD STRIPES IN
LOCALIZED PLATE AREA ON BEAM AND DIMPLE OVER
0.00127 [.000050] MIN THICK NICKEL OVER ENTIRE
CONTACT.
- DIMENSIONS IN BRACKETS ARE IN INCHES.
- FOR USE ONLY WITH LID STYLE HOUSING.
- 0.00203 [.000080] MIN BRIGHT TIN OVER
0.00127 [.000050] MIN NICKEL.
- OBSOLETE
- REELING OPPOSITE DIRECTION FOR
OCEAN APPLICATOR.



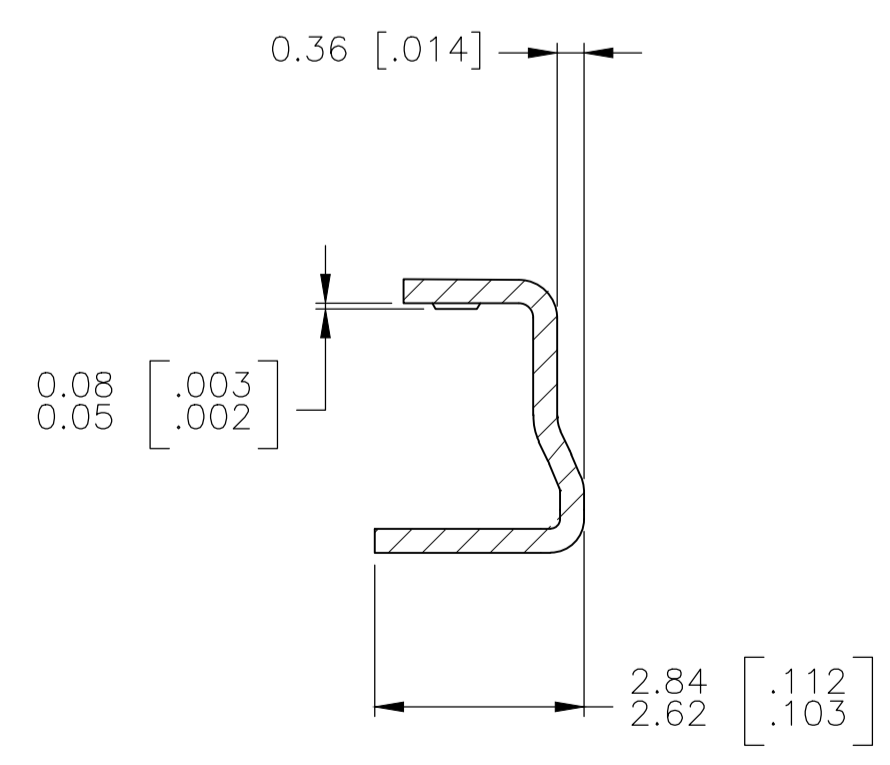
SECTION D-D



SECTION B-B



SECTION C-C



SECTION A-A
ROTATED 90° CCW

FINISH	MATERIAL	PART NUMBER
△6	PHOS BRONZE	4-647406-1
△6	PHOS BRONZE	3-647406-1
—	PHOS BRONZE	647406-2
△2	PHOS BRONZE	△647406-1
POST PLATE	PRE-PLATE	

THIS DRAWING IS A CONTROLLED DOCUMENT.

DIMENSIONS: mm [INCHES]	TOLERANCES UNLESS OTHERWISE SPECIFIED:	DIN K. WHITAKER 15OCT2004	TE Connectivity Ltd.
0 PLC ± -	1 PLC ± -	CHK J. ELLIS 15OCT2004	APVD J. ELLIS 15OCT2004
2 PLC ± 0.13 [.005]	3 PLC ± -	NAME SL-156 HOODED RECEPTACLE, LARGE DIA, INSULATION TYPE	
4 PLC ± -	ANGLES ± -	PRODUCT SPEC 108-1049	
MATERIAL SEE TABLE	FINISH -	APPLICATION SPEC 114-1021	
		SIZE A1	RESTRICTED TO
		WEIGHT	SCALE 10:1 SHEET 1 OF 1 REV C3
		CUSTOMER DRAWING	SCALE 10:1 SHEET 1 OF 1 REV C3