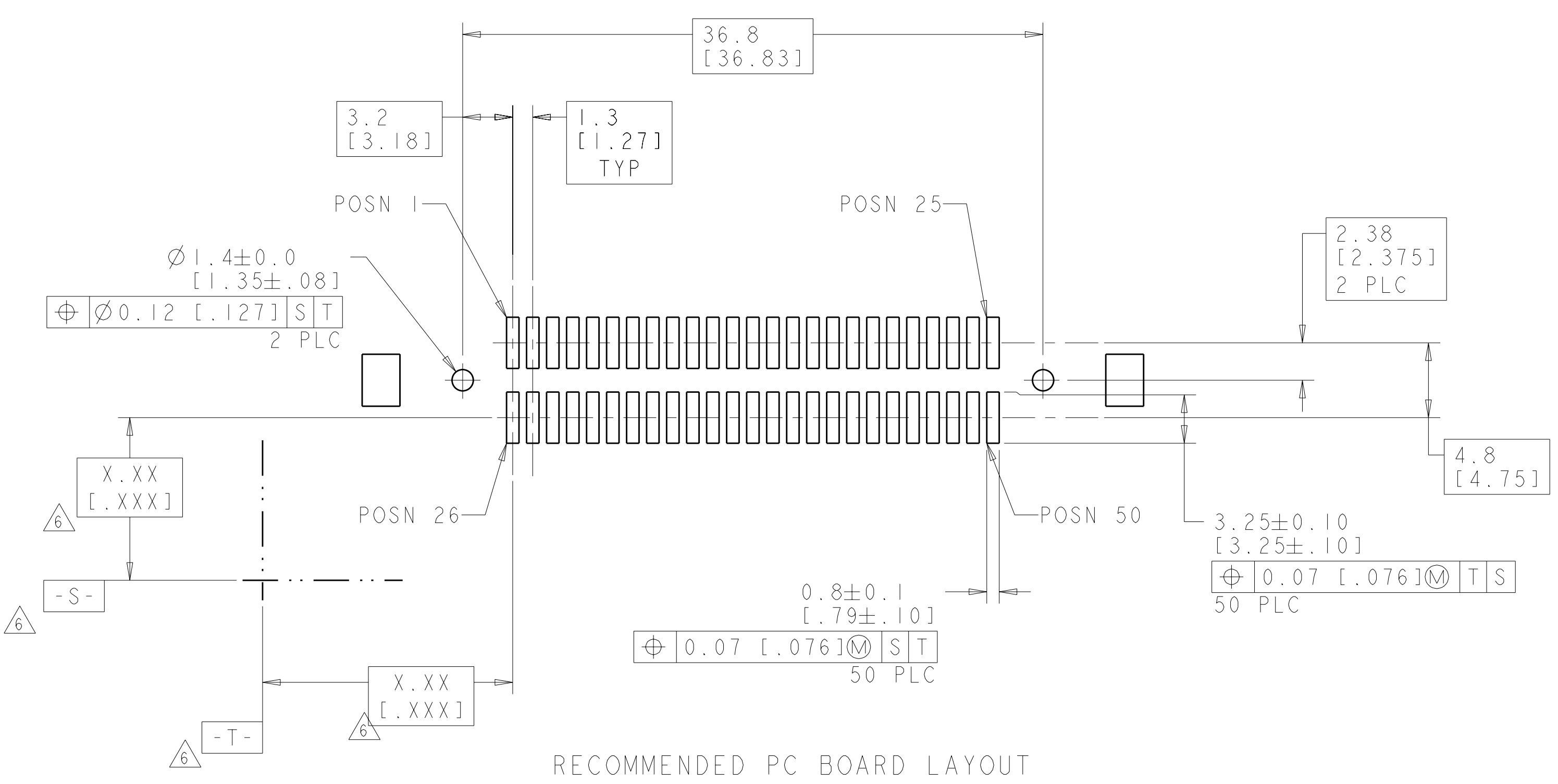
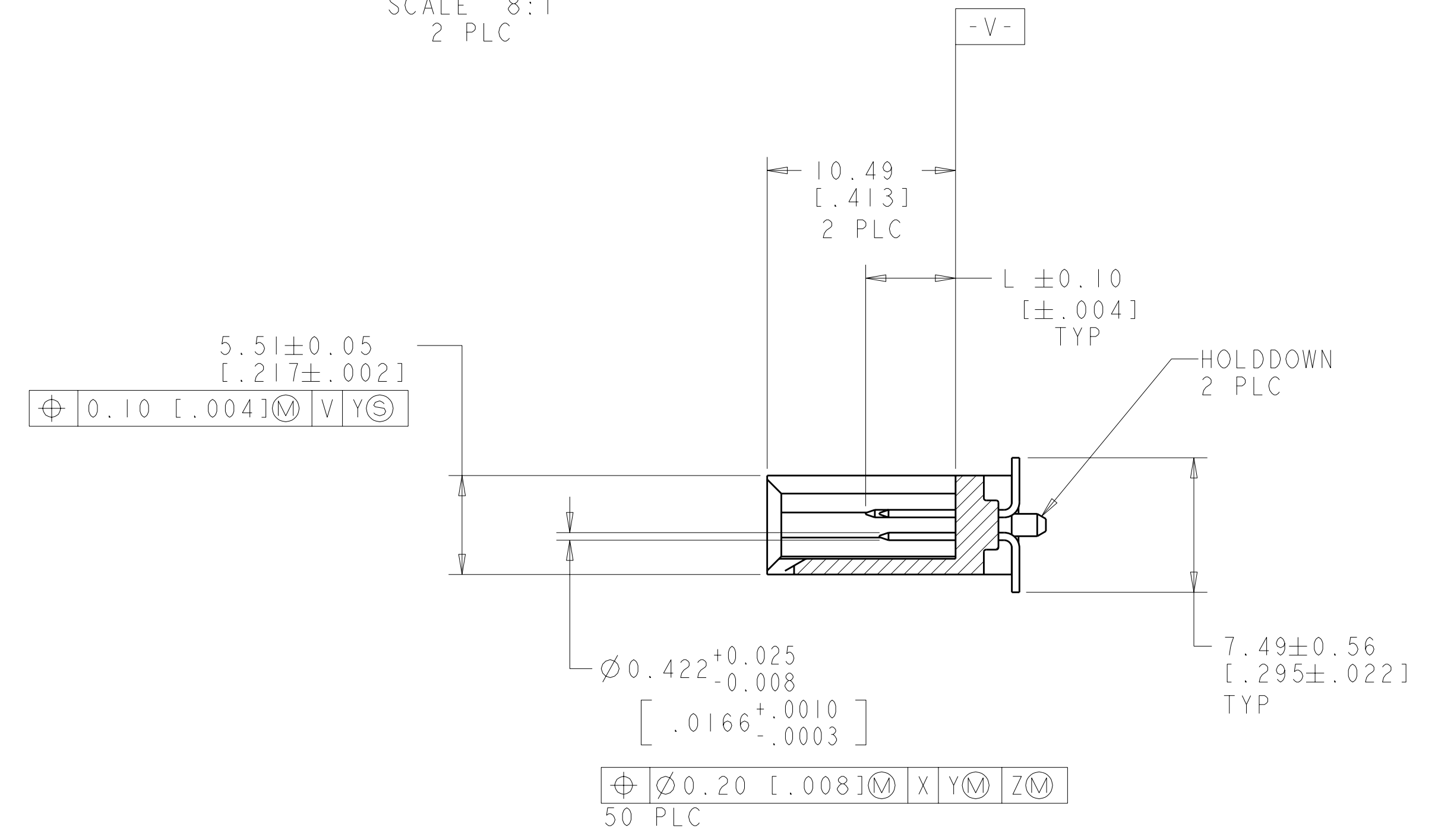
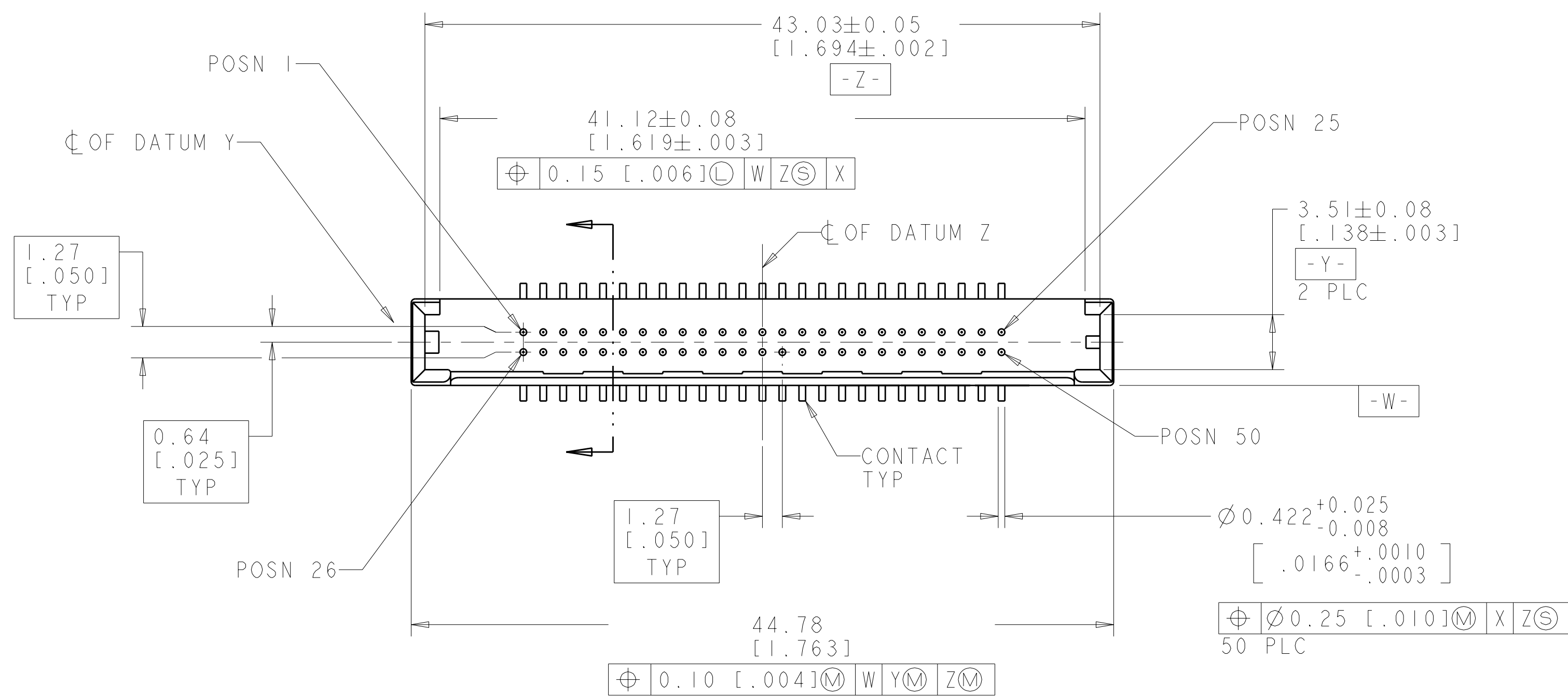
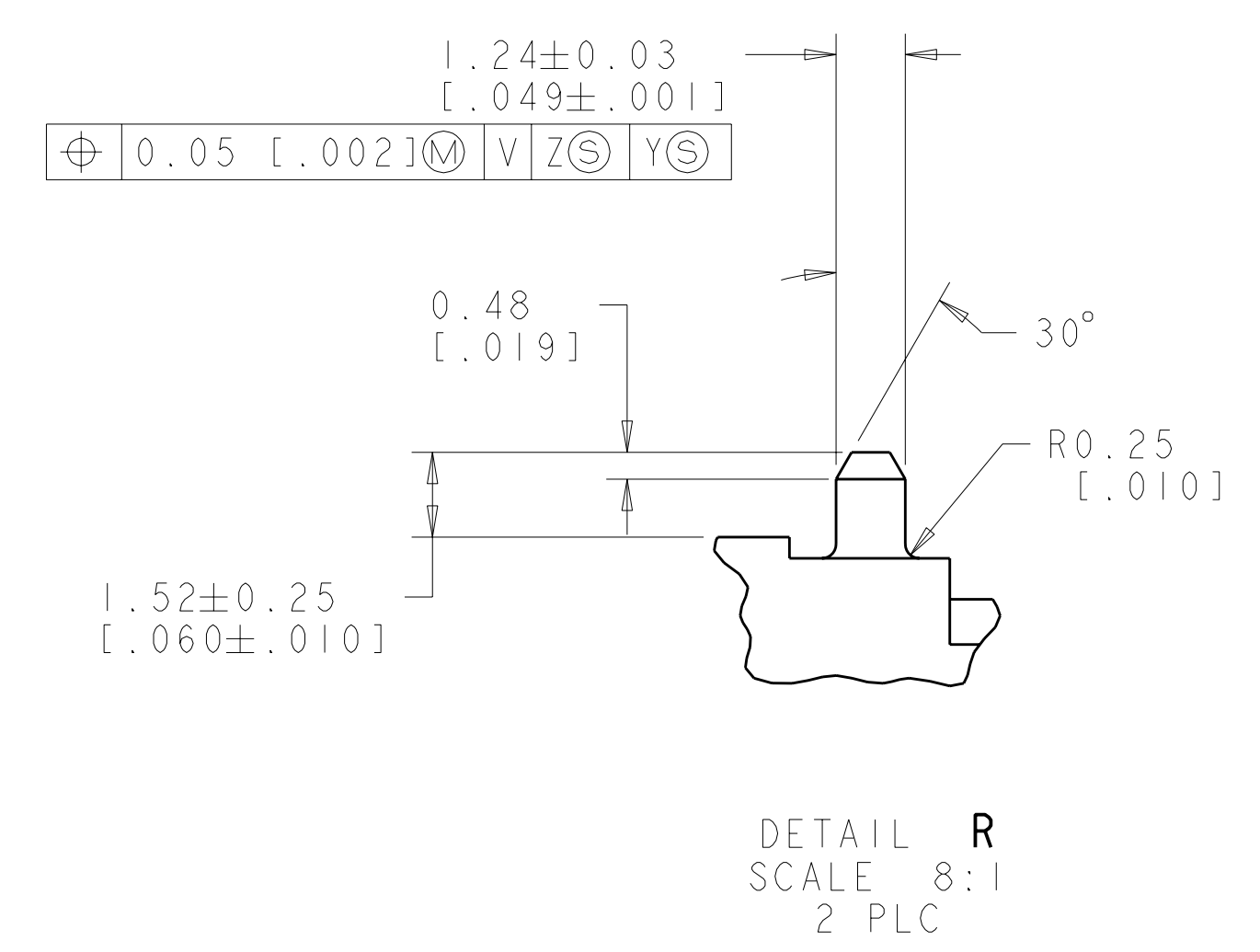
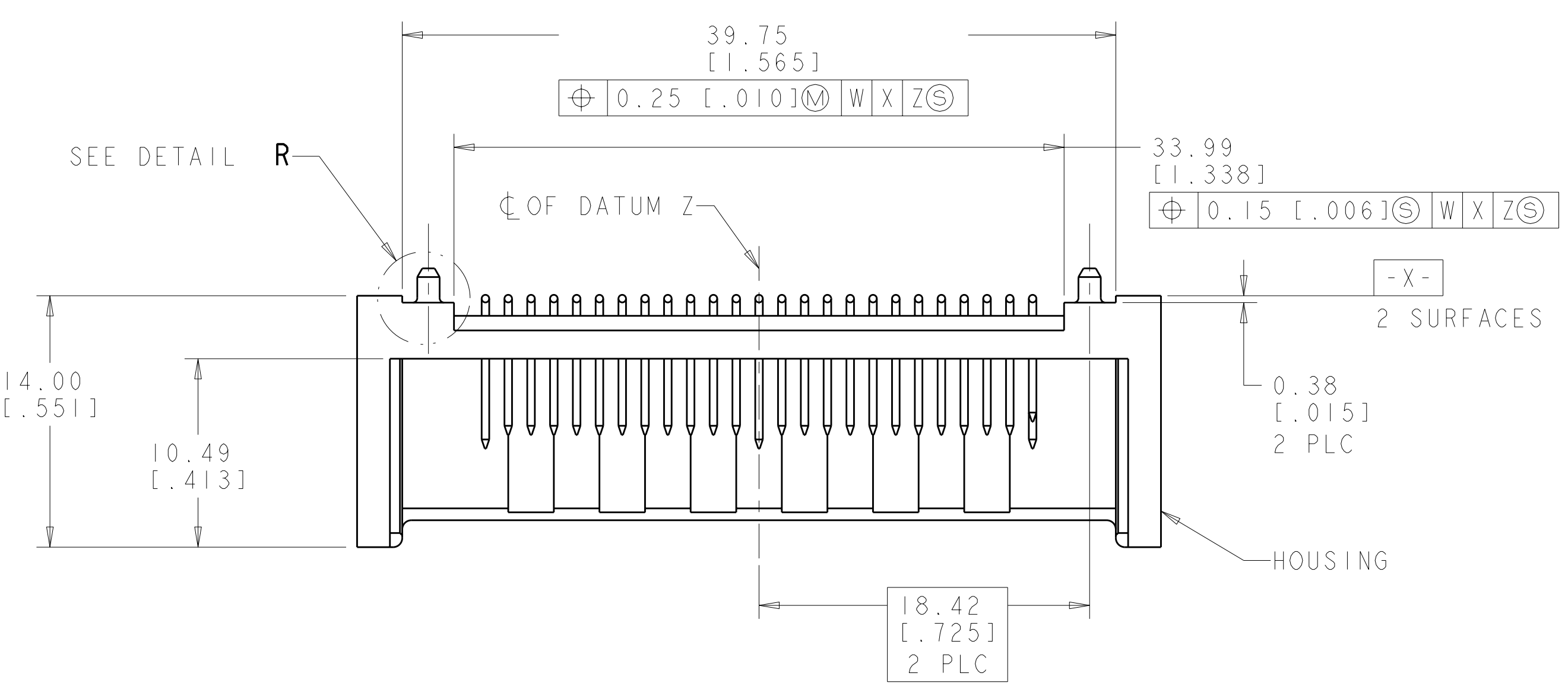


| LOC | DIST | REV | DATE | BY | APPD |
|-----|------|-----|-----------|-----|------|
| GP | 00 | A | 17JUL2009 | CR | DG |
| | | A1 | 30JUN2010 | CJV | DLG |



- 1 HOUSING: POLYESTER LCP, BLACK. CONTACTS: BRASS.
- 2 CONTACTS: 0.76µm[.000030] MIN GOLD FOR A LENGTH OF 3.51[.138] MIN IN CONTACT AREA, 3.81µm[.000150] MIN TIN FOR A LENGTH OF 2.0[.079] MIN ON SOLDER TAILS, ALL OVER 1.27µm[.000050] MIN NICKEL.
- 3 DIMENSION APPLIES TO POSITIONS 25 AND 26.
- 4 DIMENSION APPLIES TO POSITIONS 2 THRU 12, 14 THRU 24, 27 THRU 37 AND 39 THRU 49.
- 5 DIMENSION APPLIES TO POSITIONS 1, 13, 38 AND 50.
- 6 DATUMS AND BASIC DIMENSIONS ESTABLISHED BY CUSTOMER.

| | | | |
|--------------------------|---------------|--|-------------|
| 5.00 [1.97] 5 | 4.24 [1.67] 4 | 3.51 [1.38] 3 | 5788643-1 |
| L | | | PART NUMBER |
| DWN G. PETERS 25NOV05 | | Tyco Electronics Harrisburg, PA 17105-3608 | |
| CHK D. GORENC 25NOV05 | | NAME PIN HEADER ASSEMBLY, VERTICAL, 50 POSITION, SURFACE MOUNT, CompactFlash | |
| APVD M. WALMSLEY 25NOV05 | | PRODUCT SPEC 108-1469 | |
| APPLICATION SPEC | | SIZE CAGE CODE DRAWING NO. RESTRICTED TO | |
| MATERIAL 1 | | WEIGHT - A100779C=5788643 | |
| FINISH 2 | | CUSTOMER DRAWING SCALE 4:1 SHEET 1 OF 1 REV A1 | |

Mouser Electronics

Authorized Distributor

Click to View Pricing, Inventory, Delivery & Lifecycle Information:

[TE Connectivity:](#)

[5788643-1](#)