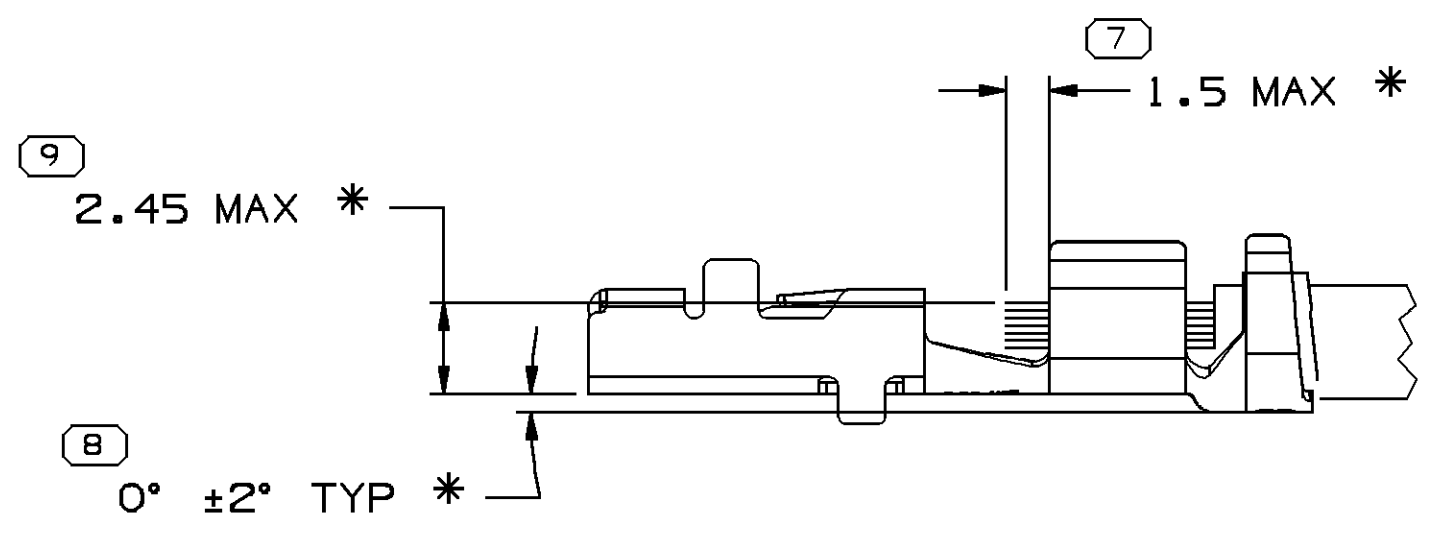
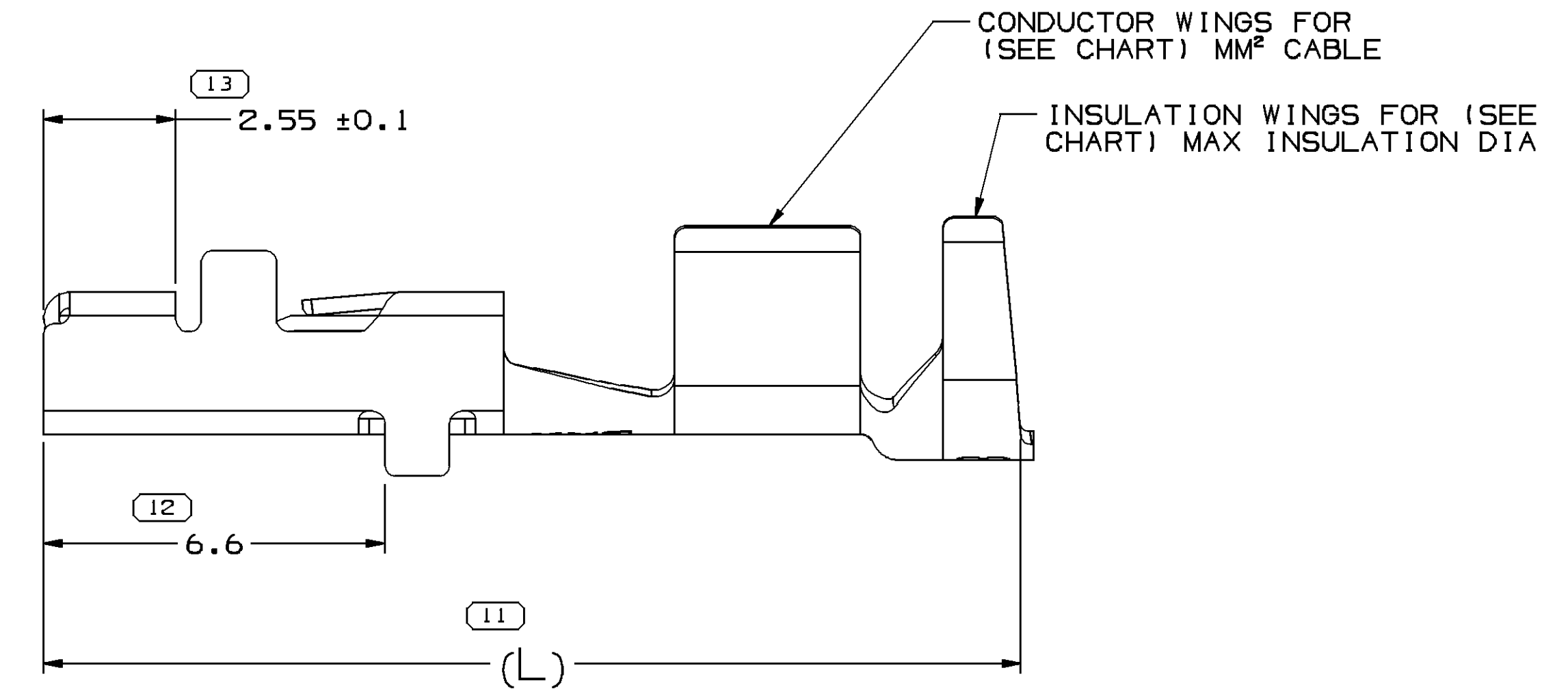
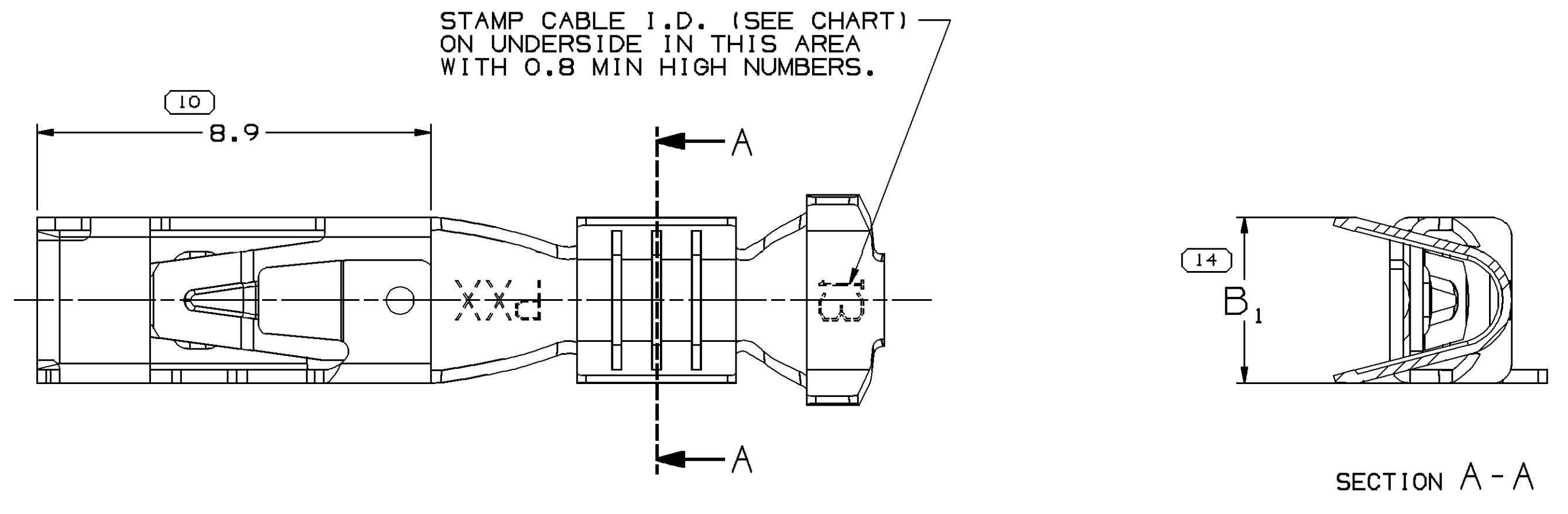
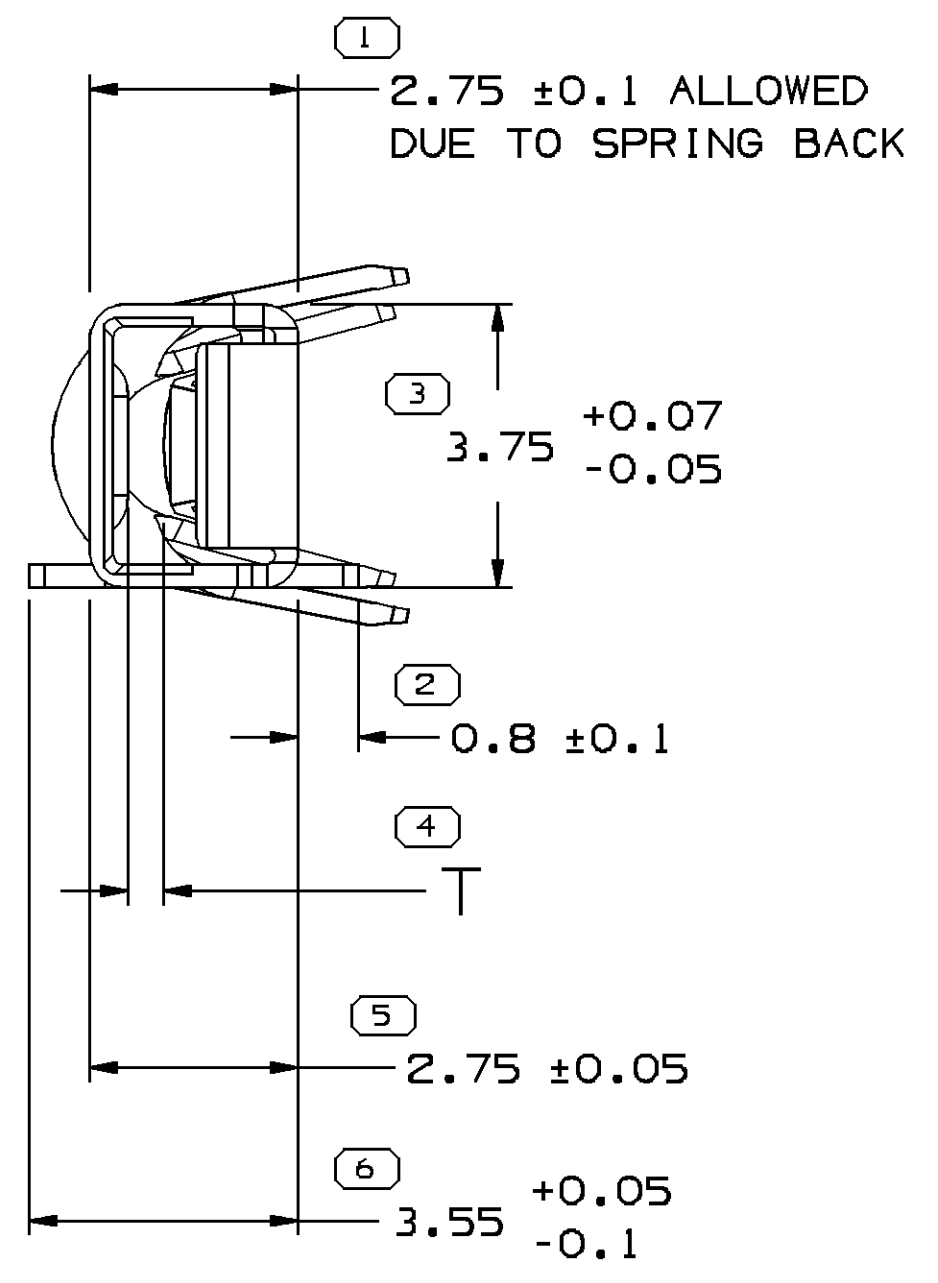


SYMBOL DEFINITION		MISSING SYMBOLS	
A DIMENSION WITHOUT AN INSPECTION REPORT SYMBOL DOES NOT REQUIRE INSPECTION. IT MAY BE CONTROLLED ON THE INDIVIDUAL COMPONENT DRAWING.	TOTAL NO OF INSPECTIONS REQUIRED	NO MISSING SYMBOL NUMBER	14
	LAST NO. USED		14

DWG STATUS		ZONE		REVISION HISTORY		AUTH	DR	APVD1	APVD2
DATE	STG	REV	N/P	CHG					
09JN04	R	01	-	-	ALL PARTS - RELEASED	255802	ADK	ADK	JAB
10DE04	R	02	-	-	ALL PARTS - UPDATED PDM ATTRIBUTES	261765	ADK	ADK	RC
06MY05	R	03	-	-	ALL PARTS - DIM T WAS 0.48 +0.05/-0.075, ADDED T +0.05/-0.075 COLUMN TO CHART: 13525446,47,48,49,50,51, 13525969,70,71 - RELEASED	266082	ECB	AUG	RC
31MY06	R	04	-	-	ALL PARTS - ADDED NOTE 4	280865	MM	MM	RC



TERMINAL AND CABLE ALIGNMENT
SCALE 5:1

NOTES

- UNLESS OTHERWISE SPECIFIED AND/OR INDICATED:
DIMENSIONS ARE TO FACE OF VIEW SHOWN AND AUTOMATICALLY ROUNDED BY COMPUTER FOR INSPECTION (SEE MATH MODEL FOR PRECISE DIMENSIONS). FOR ALL OTHER DIMENSIONS NOT SHOWN BUT REQUIRED FOR TOOL BUILD, SEE MATH MODEL FOR PRECISE TOOL PATH DATA.
- REFERENCE MATING COMPONENTS OR EQUIVALENT:
TERMINAL 12193801
- * DENOTES DIMENSIONS MADE AT CUT-OFF AND CRIMP DIE.
- TERMINALS ON THIS TAXI WERE DESIGNED TO MATE TO A 0.8MM THICK MALE BLADE.

PART NO	REV	N/P	STATUS	MAT'L SIZE	MAT'L SPEC	SIZE (MM²)	ID	DIA	B ₁ ±0.2	(L)	T +0.05/-0.075
13525969	01	-		0.3 X 27.38	M3669A23 C17410 1/2 HT REFLOW TIN EX HD	1.5 - 3	13	3.2 - 2.2	3.75	18.9	0.35
13525970	01	-		0.3 X 27.38	M3669A23 C17410 1/2 HT REFLOW TIN EX HD	0.75 - 1	17	2.25 - 1.7	2.65	18.9	0.35
13525971	01	-		0.3 X 27.38	M3669A23 C17410 1/2 HT REFLOW TIN EX HD	(2) 0.8	218	1.7 - 2.05	3.8	19.2	0.35
13525446	01	-		0.3 X 27.38	M3669A23 C17410 1/2 HT REFLOW TIN EX HD	1.5 - 3	13	3.2 - 2.2	3.75	18.9	0.48
13525447	01	-		0.3 X 27.38	M3669A23 C17410 1/2 HT REFLOW TIN EX HD	0.75 - 1	17	2.25 - 1.7	2.65	18.9	0.48
13525448	01	-		0.3 X 27.38	M3669A23 C17410 1/2 HT REFLOW TIN EX HD	0.35 - 0.5	21	1.85 - 1.2	2.1	18.9	0.48
13525449	01	-		0.3 X 27.38	M3669A23 C17410 1/2 HT REFLOW TIN EX HD	(2) 0.8	218	1.7 - 2.05	3.8	19.2	0.48
13525450	01	-		0.3 X 27.38	M3669A23 C17410 1/2 HT REFLOW TIN EX HD	(2) 0.5	220	1.85 - 1.4	3.3	19.2	0.48
13525451	01	-		0.3 X 27.38	M3669A23 C17410 1/2 HT REFLOW TIN EX HD	(2) 0.35	222	1.65 - 1.2	2.7	19.2	0.48
15496303	01	AB		0.3 X 27.38	M3659A23 C42500 EX HD	1.5 - 3	13	3.2 - 2.2	3.75	18.9	0.48
15496304	01	AB		0.3 X 27.38	M3659A23 C42500 EX HD	0.75 - 1	17	2.25 - 1.7	2.65	18.9	0.48
15496305	01	AB		0.3 X 27.38	M3659A23 C42500 EX HD	0.35 - 0.5	21	1.85 - 1.2	2.1	18.9	0.48
15496306	01	AC		0.3 X 27.38	M3659A23 C42500 EX HD	(2) 0.8	218	1.7 - 2.05	3.8	19.2	0.48
15496307	01	AB		0.3 X 27.38	M3659A23 C42500 EX HD	(2) 0.5	220	1.85 - 1.4	3.3	19.2	0.48
15496308	01	AB		0.3 X 27.38	M3659A23 C42500 EX HD	(2) 0.35	222	1.65 - 1.2	2.7	19.2	0.48

(3) PROCESS SENSITIVE DIMENSION
DIMENSIONS ENCLOSED IN () INDICATE REFERENCE DIMENSIONS AND NO TOLERANCE LIMITS ARE ESTABLISHED.
DIMENSIONAL RANGE (MM) CHART 6
FROM 0 TO 12 > 12
TOLERANCE UNLESS OTHERWISE SPECIFIED
±0.15 ±0.3
ANGULAR TOLERANCE ±2°

DWG TYPE: PART DRAWING

STYLE: [Symbol]

VOLUME (Q/P): [Symbol] DISTR CODE: [Symbol]

UNLESS OTHERWISE SPECIFIED THIS DOCUMENT IS IN ACCORDANCE WITH ASME Y14.5M-1994 AS AMENDED BY THE 2003 GLOBAL DIMENSIONING AND TOLERANCING ADDENDUM - 1997. ALL GEOMETRIC TOLERANCES AND RELATED DATUMS APPLY RFS. RULE #1 (PERFECT FORM AT MMC) DOES NOT APPLY WHEN RELATIONSHIP BETWEEN FEATURES IS ESTABLISHED BY ORIENTATION OR LOCATION TOLERANCES. SEPARATE POSITION CALLOUTS MAY BE GAGED SEPARATELY, REGARDLESS OF DATUM REFERENCE. ALL DIMENSIONS ARE IN MILLIMETERS.

REFERENCE: 15304709

THIRD ANGLE PROJECTION

DO NOT SCALE

USE MATH DATA

UNIGRAPHICS

DELPHI

DELPHI PACKARD ELECTRIC SYSTEMS
WARREN, OH

DR	DATE
APVD1 ADAM D. KIMBERLIN	09JN04
APVD2 ADAM D. KIMBERLIN	09JN04
APVD3 JOSEPH A. BUTLER	09JN04
APVD4	
APVD5	

SUBSTANCES OF CONCERN AND RECYCLED CONTENT PER DELPHI 10949001

MATERIAL: SEE CHART

DRAWING NAME: TAXI TERM F 6T 280

DRAWING NUMBER: 15496997

SIZE	SCALE	FRAME NO	SHEET NO	STG	REV	N/P
A1	10:1	1 OF 1	1 OF 1	R	04	-

Mouser Electronics

Authorized Distributor

Click to View Pricing, Inventory, Delivery & Lifecycle Information:

[Aptiv:](#)

[15496305](#) [15496307](#) [15496308](#) [15496303](#) [15496304](#) [15496306](#)