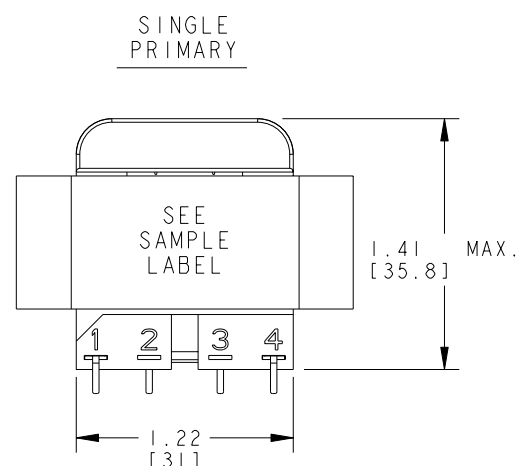
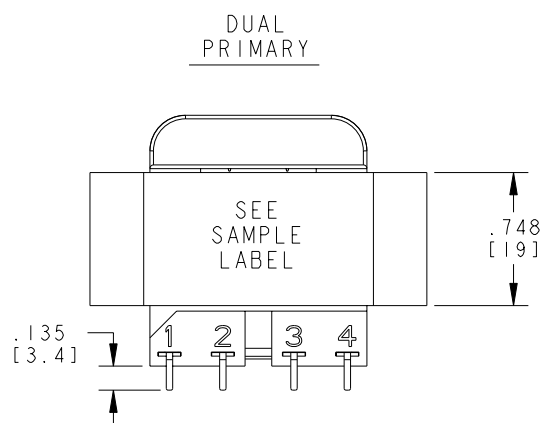


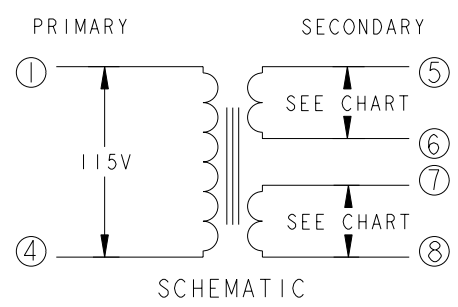
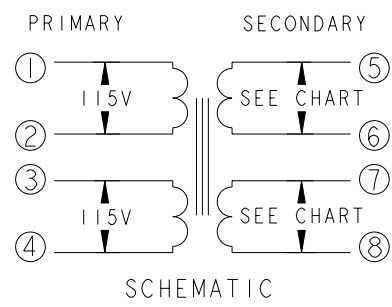
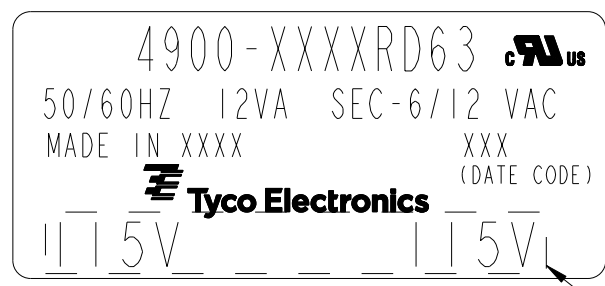
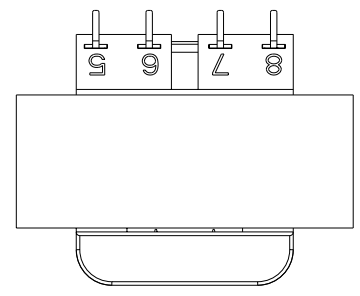
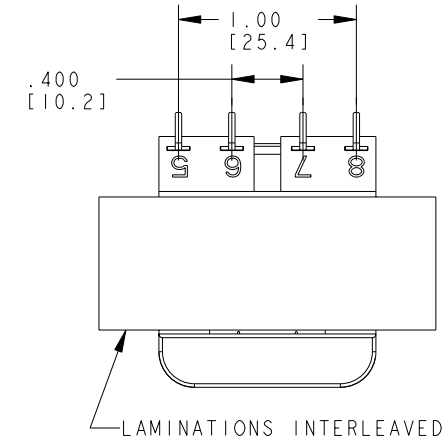
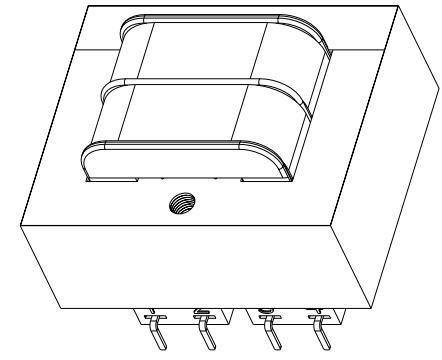
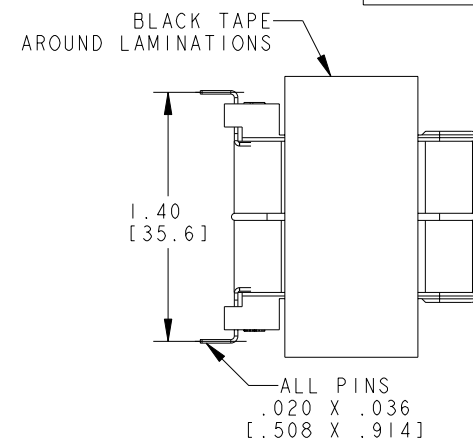
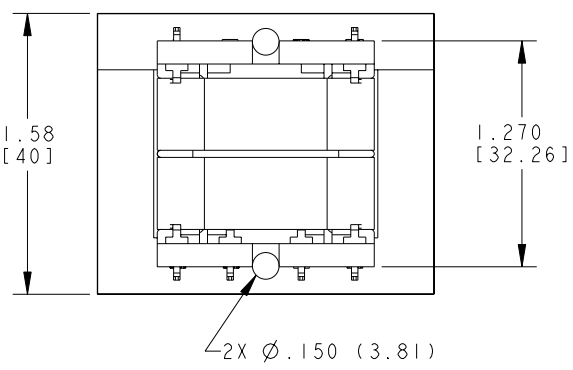
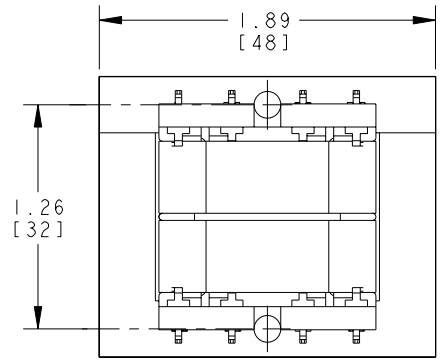
THIS DRAWING IS UNPUBLISHED. RELEASED FOR PUBLICATION 20
 © COPYRIGHT 20 BY TYCO ELECTRONICS CORPORATION. ALL RIGHTS RESERVED.

LOC	DIST	REVISIONS					
		P	LTR	DESCRIPTION	DATE	DWN	APVD
GZ	00	C		ECR-09-005727	02APR2009	JS	JH
		D		ECR-09-011630	11JUN2009	JS	DB



CERTIFICATION: UL/CUL FILE NO. E102980 HZ. 50/60 V.A. 12
 DIMENSIONS FOR REFERENCE ONLY.

PRIMARY	SECONDARY	P. U. PART NUMBER	TYCO ELECTRONICS PART NUMBER
	SERIES PARALLEL		
115 VAC	12 VCT 6 VAC	4900-8012RD63	1672325-2
115 VAC	12.6 VCT 6.3 VAC	4900-8013RD63	1672325-3
115 VAC	24 VCT 12 VAC	4900-8024RD63	1672325-6
115 VAC	28 VCT 14 VAC	4900-8028RD63	1672325-7
115 VAC	48 VCT 24 VAC	4900-8048RD63	1-1672325-0
115/230 VAC	12 VCT 6 VAC	4900-9012RD63	1-1672325-4
115/230 VAC	12.6 VCT 6.3 VAC	4900-9013RD63	1-1672325-5
115/230 VAC	24 VCT 12 VAC	4900-9024RD63	1-1672325-8
115/230 VAC	28 VCT 14 VAC	4900-9028RD63	1-1672325-9
115/230 VAC	48 VCT 24 VAC	4900-9048RD63	2-1672325-2



THIS DRAWING IS A CONTROLLED DOCUMENT FOR TYCO ELECTRONICS CORPORATION. IT IS SUBJECT TO CHANGE AND THE CONTROLLING ENGINEERING ORGANIZATION SHOULD BE CONTACTED FOR THE LATEST REVISION.		DWN J. SLIKE 22JUL2008 CHK J. HURLBURY 22JUL2008 APVD J. HURLBURY 22JUL2008		Tyco Electronics Harrisburg, PA 17105-3608	
DIMENSIONS: INCHES [mm]		TOLERANCES UNLESS OTHERWISE SPECIFIED: 0 PLC ± 1 PLC ± 2 PLC ±.01 3 PLC ±.005 4 PLC ± ANGLES ±°		NAME TRANSFORMER OUTLINE	
MATERIAL		APPLICATION SPEC		SIZE A2 CAGE CODE 00779 DRAWING NO. C=4900-RD63	
FINISH		WEIGHT		RESTRICTED TO	
CUSTOMER DRAWING		SCALE 5:1		SHEET 1 OF 1 REV D	

Mouser Electronics

Authorized Distributor

Click to View Pricing, Inventory, Delivery & Lifecycle Information:

[TE Connectivity:](#)

[4900-8024RD63](#)