

THIS DRAWING IS UNPUBLISHED.

RELEASED FOR PUBLICATION

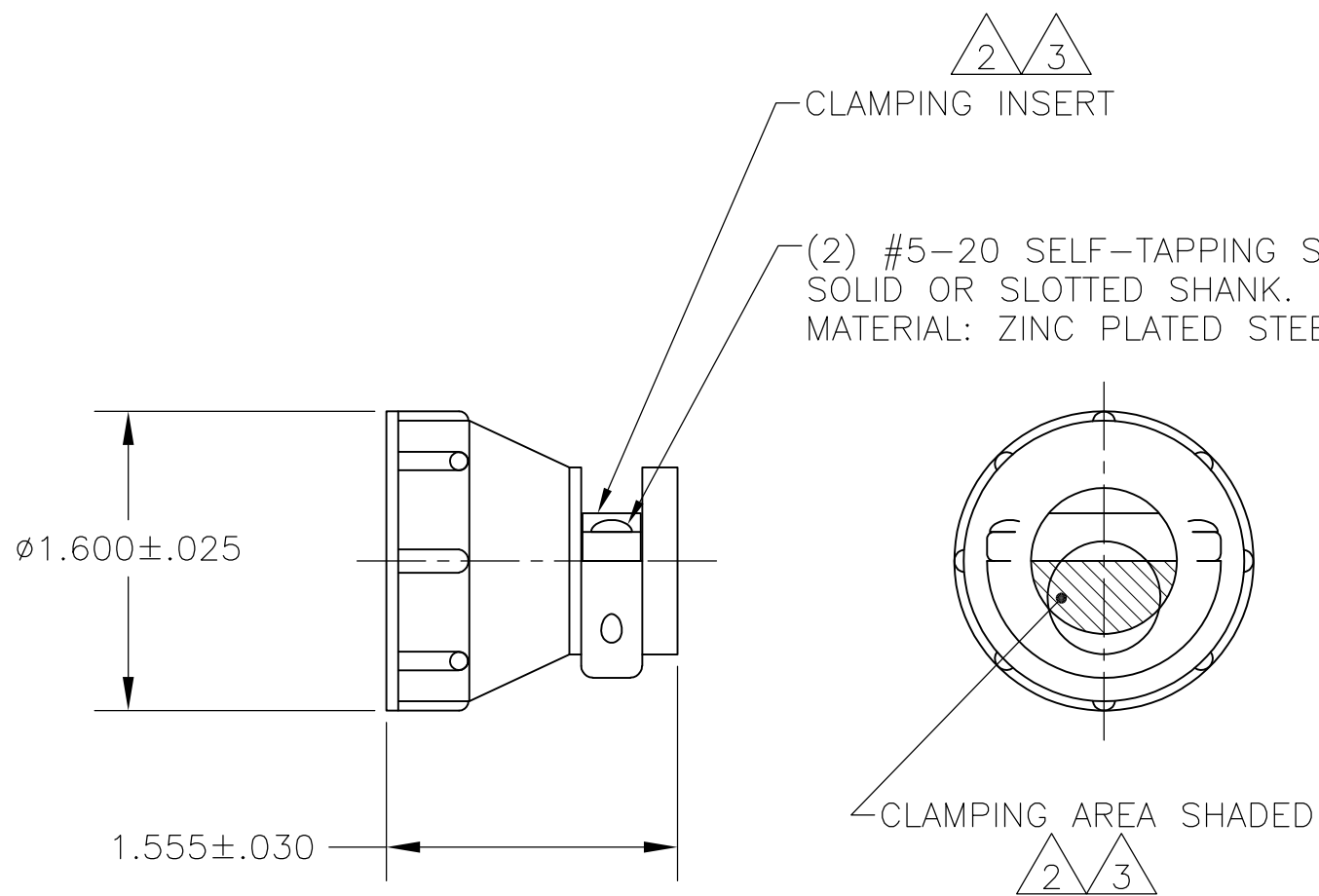
ALL RIGHTS RESERVED.

© COPYRIGHT - By -

REVISIONS

P	LTR	DESCRIPTION	DATE	DWN	APVD
	S5	REVISED PER ECO-16-004800	12SEP2016	NK	MZ
	T	REVISED PER ECR-16-016563	07DEC2016	RS	MZ

- 1 PARTS PACKAGED UNASSEMBLED.
- △2 CABLE CLAMPING AREA ADJUSTABLE FROM .100 TO .410 SQ IN BY REVERSING CLAMPING INSERTS. (2 INSERTS SUPPLIED)
- △3 CABLE CLAMPING AREA ADJUSTABLE FROM .100 TO .410 SQ IN BY CHANGING CLAMPING INSERTS. (4 INSERTS SUPPLIED, -3 ONLY)
- 4 .703 MAXIMUM CABLE OUTSIDE DIAMETER.
- △5 BULK PACKAGED KITS TO BE ORDERED IN MULTIPLES OF 100 ONLY.
- △6 SCREW FINISH ZINC WITH NON-HEXAVALENT CHROMATE.
- △7 OBSOLETE PARTS: OBSOLETE CIS STREAMLINING PER D.RENAUD/D.SINISI



	SCREW LENGTH	PACKAGING	PART NUMBER	
△2	OBSOLETE	.75 ^{+0.00} / _{-.05}	INDIVIDUAL	1-206138-2
△2	OBSOLETE	.75 ^{+0.00} / _{-.05} / .62 ^{+0.00} / _{-.05}	INDIVIDUAL	1-206138-1
		.62 ^{+0.00} / _{-.05}	△5 BULK	1-206138-0
△2	△7 OBSOLETE	.62 ^{+0.00} / _{-.05}	SMALL PACK	-206138-9
		.62 ^{+0.00} / _{-.05}	INDIVIDUAL	206138-8
△2	△7 SUPERSEDED BY 1-206138-1	.75 ^{+0.00} / _{-.05} / .62 ^{+0.00} / _{-.05}	INDIVIDUAL	-206138-7
△7	OBSOLETE	.62 ^{+0.00} / _{-.05}	SMALL PACK	-206138-6
	OBSOLETE	-	△5 BULK	-206138-3
△2	SUPERSEDED BY 1-206138-0	.62 ^{+0.00} / _{-.05}	△5 BULK	-206138-2
△2	SUPERSEDED BY 206138-8	.62 ^{+0.00} / _{-.05}	INDIVIDUAL	-206138-1

THIS DRAWING IS A CONTROLLED DOCUMENT.		DWN A GRAFF 4/23/91	TE Connectivity		
DIMENSIONS: INCHES		CHK W.G.LENKER 7-22-92			
TOLERANCES UNLESS OTHERWISE SPECIFIED:		APVD -	NAME CABLE CLAMP KIT, STANDARD, SHELL SIZE 23, CPC		
0 PLC ± -		PRODUCT SPEC 108-10024	RESTRICTED TO		
1 PLC ± -		APPLICATION SPEC -	SIZE A3	CAGE CODE 00779	DRAWING NO C-206138
2 PLC ± -		WEIGHT -	RESTRICTED TO		
3 PLC ± -		CUSTOMER DRAWING	SCALE NTS	SHEET 1 OF 1	REV T
4 PLC ± -					
ANGLES ± -					
FINISH THERMOPLASTIC					