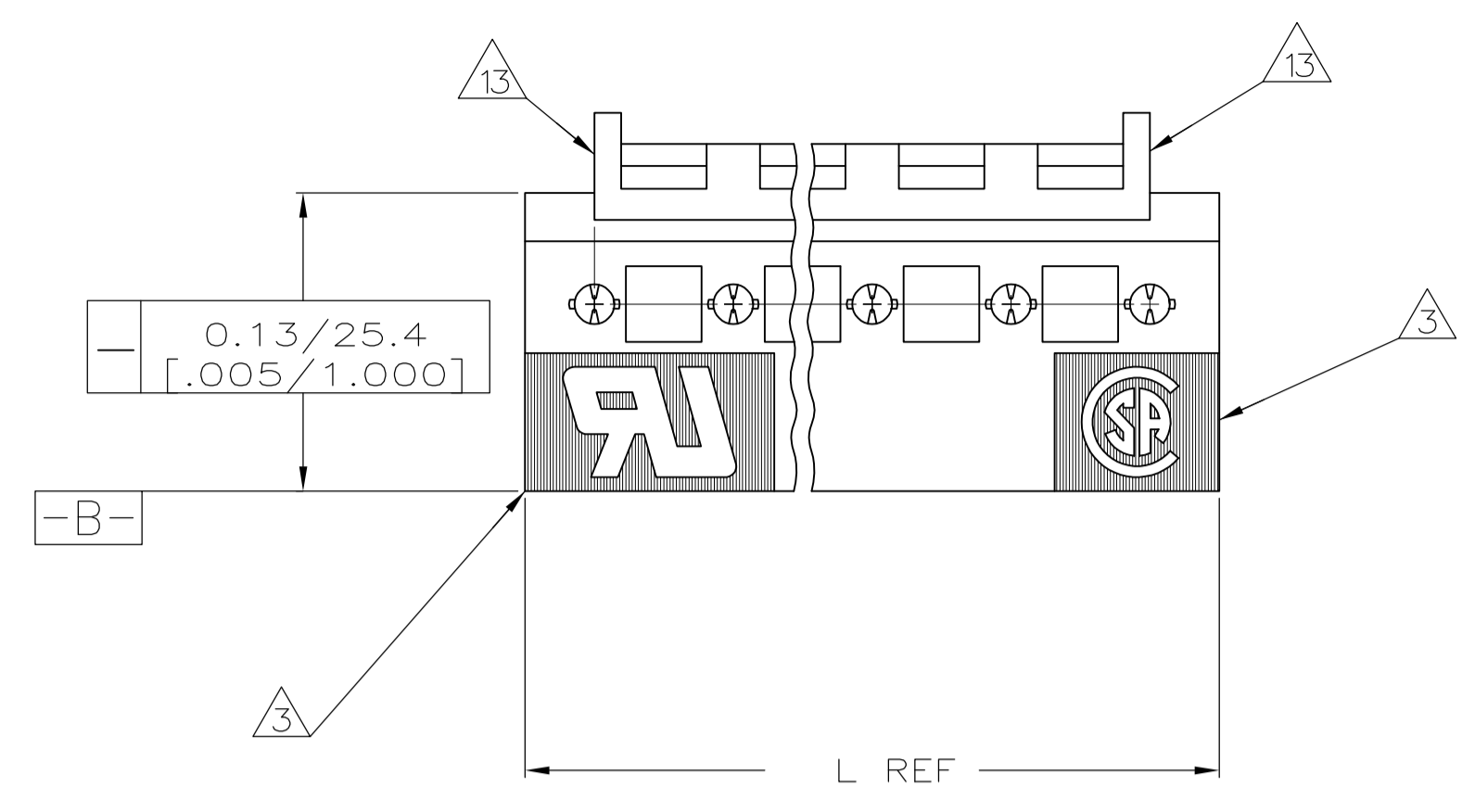
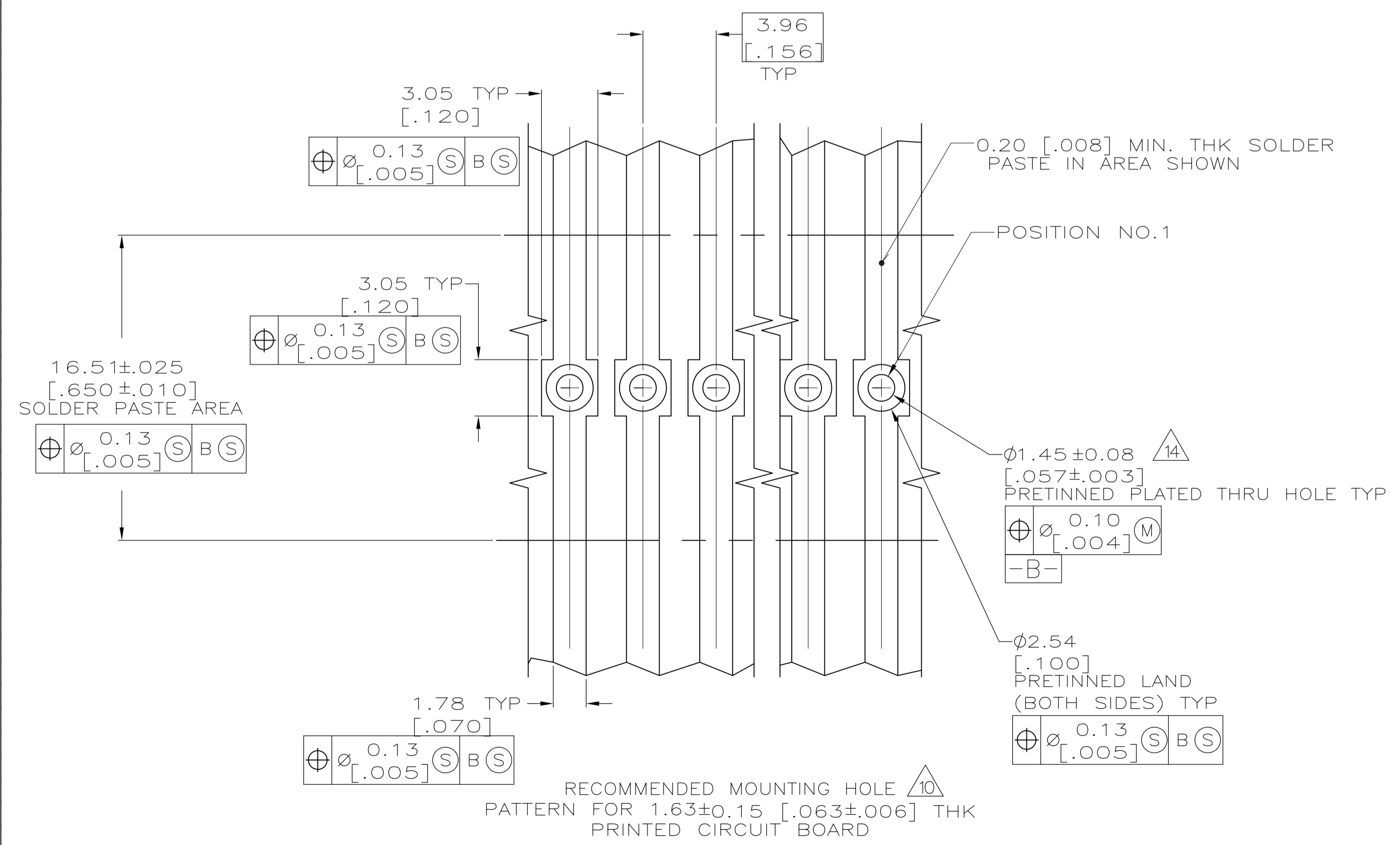
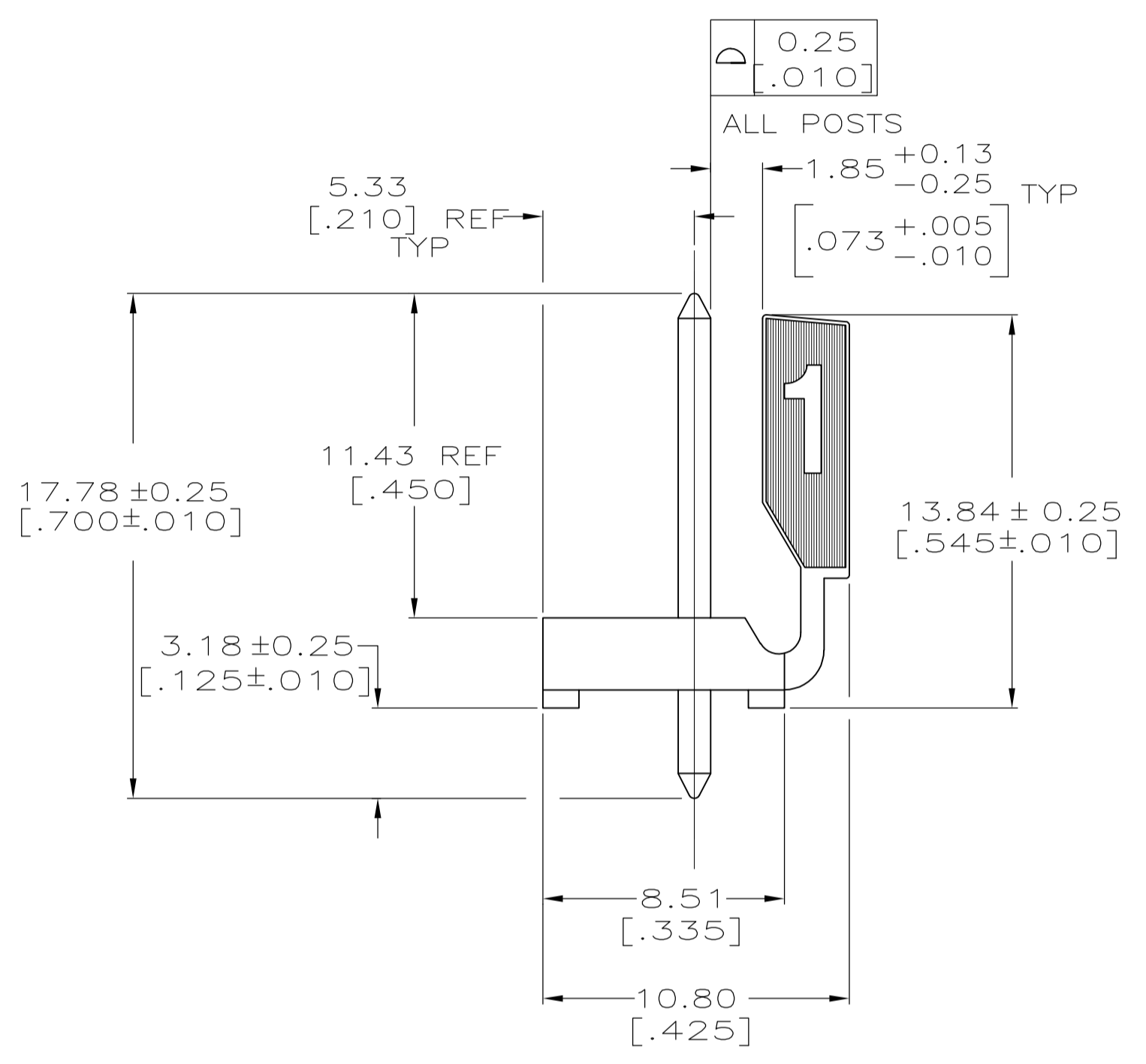
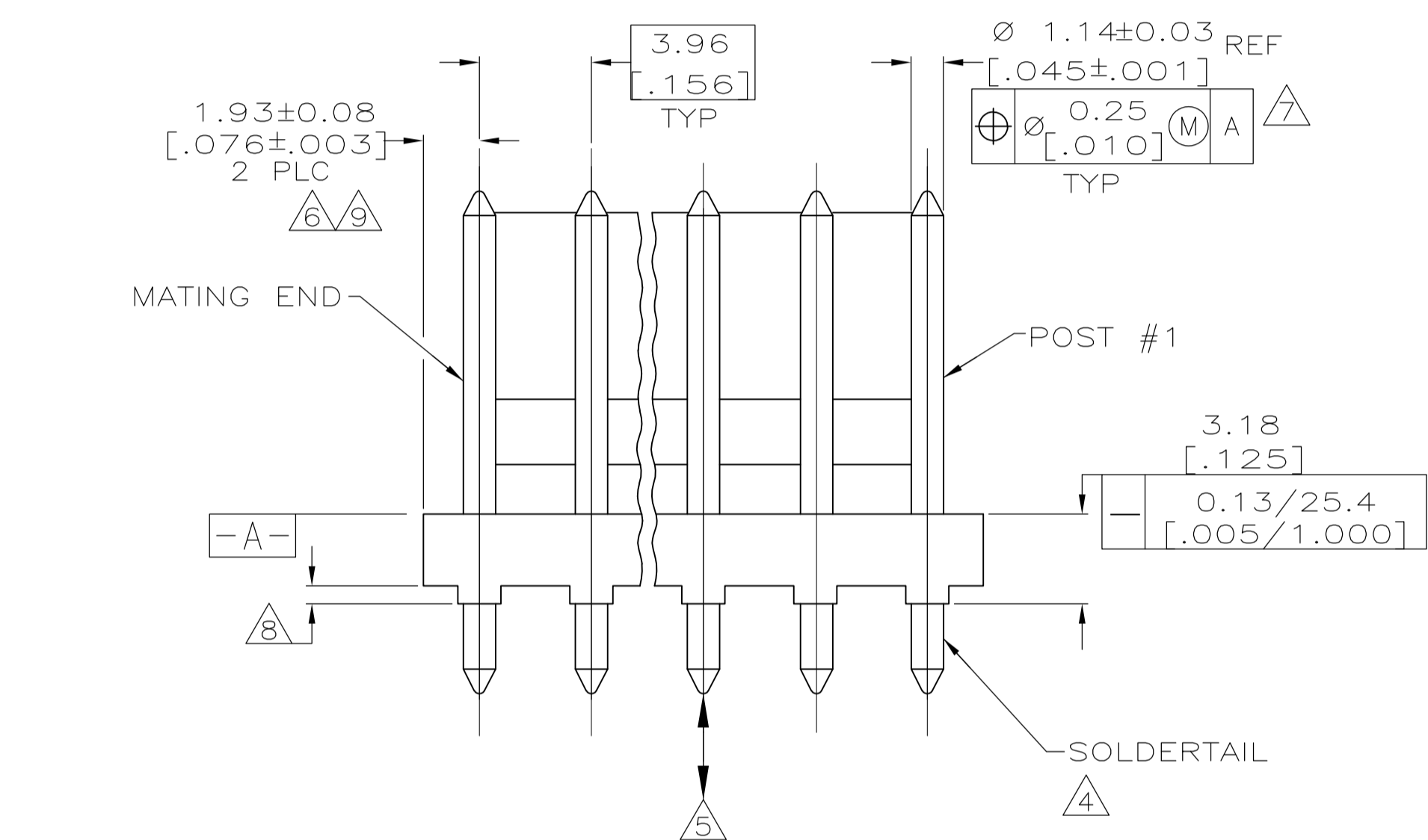


LOC		DIST		REVISIONS			
CM	00	REV	DATE	DESCRIPTION	DATE	BY	APPV
A2	REVISED PER ECO-11-004820		11MAR11			RK	HMR

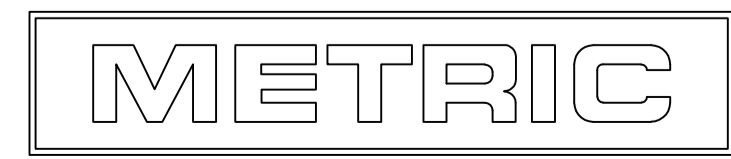


- 1 MATERIAL
HOUSING: POLYAMIDE NYLON,UL94V-0.
POST: COPPER ALLOY
- 2 FINISH
HOUSING: BLACK
POST: BRIGHT TIN-LEAD (93/7) PLATE, FOR -2 THRU -12 OR MATTE TIN FOR -32 THRU -42 0.00380-0.00880[.000150-.000350] THK OVER NICKEL UNDERPLATE,0.00130[.000050] MIN THK.
- 3 UL MARKING MAY NOT APPEAR ON THE 2 OR 3 POSITION SIZES. CSA MARKING MAY NOT APPEAR ON THE 2 POSITION SIZE.
- 4 POST SOLDERDETAILS COMPLY WITH AMP SOLDERABILITY SPEC 109-11-2.
- 5 POST WITHSTANDS 13.34N [3 LB] MIN AXIAL FORCE IN EITHER DIRECTION WITHOUT DISLODGING.
- 6 APPLIES AT -A-.
- 7 APPLIES WHEN THE HEADER IS STRAIGHT.
- 8 PLASTIC PROJECTIONS PERMITTED IN THIS ZONE.
- 9 COORDINATE DIMENSIONS APPLIES FROM THE CENTER OF THE ACTUAL FEATURE.
- 10 DIMENSION APPLY TO COMPONENT SIDE OF BOARD UNLESS OTHERWISE NOTED.
- 11 DIMENSIONS IN BRACKETS ARE IN INCHES.
- 12 ALL POSITION SIZES HAVE THE BACKWALL NOTCHED ON BOTH ENDS AS SHOWN. THE 2 THRU 5 POSITION SIZES HAVE SOLID BACKWALLS. POSITION SIZES 6 AND ABOVE HAVE AN INTERRUPTED BACKWALL AT VARIOUS LOCATIONS (SEE TABLE FOR INTERRUPTION(S) LOCATIONS).
- 13 EDGE OF POLARIZING LOCK WALL TO BE IN LINE WITH CENTERLINE OF ADJACENT POST WITHIN ±0.13 [.005].
- 14 ONE HOLE MAY BE UNDERSIZED (1.17-1.3 [.046-.051]) FOR BOARD RETENTION.
- 15 MAXIMUM TEMPERATURE EXPOSURE DURING REFLOW SOLDERING NOT TO EXCEED 280° C (536° F).
- 16 OBSOLETE PARTS: OBSOLETE CIS STREAMLINING PER D.RENAUD/D.SINISI



4&5, 8&9	47.42 [1.867]	12	4-647648-2
4&5, 7&8	43.46 [1.711]	11	4-647648-1
3&4, 7&8	39.50 [1.555]	10	4-647648-0
3&4, 6&7	35.53 [1.399]	9	3-647648-9
4&5	31.57 [1.243]	8	3-647648-8
4&5	27.61 [1.087]	7	3-647648-7
3&4	23.65 [.931]	6	3-647648-6
NONE	19.69 [.775]	5	3-647648-5
NONE	15.72 [.619]	4	3-647648-4
NONE	11.76 [.463]	3	3-647648-3
NONE	7.80 [.307]	2	3-647648-2

16 SUPERSEDED BY 4-647648-2	4&5, 8&9	47.42 [1.867]	12	1-647648-2
16 SUPERSEDED BY 4-647648-1	4&5, 7&8	43.46 [1.711]	11	1-647648-1
16 SUPERSEDED BY 4-647648-0	3&4, 7&8	39.50 [1.555]	10	1-647648-0
16 SUPERSEDED BY 3-647648-9	3&4, 6&7	35.53 [1.399]	9	647648-9
	4&5	31.57 [1.243]	8	647648-8
	4&5	27.61 [1.087]	7	647648-7
16 SUPERSEDED BY 3-647648-6	3&4	23.65 [.931]	6	647648-6
16 SUPERSEDED BY 3-647648-5	NONE	19.69 [.775]	5	647648-5
	NONE	15.72 [.619]	4	647648-4
16 SUPERSEDED BY 3-647648-3	NONE	11.76 [.463]	3	647648-3
	NONE		2	647648-2



THIS DRAWING IS A CONTROLLED DOCUMENT.

DIMENSIONS: mm [INCHES]	TOLERANCES UNLESS OTHERWISE SPECIFIED:	DIN K. WHITAKER 21JUN2005	APPROV D. ROSSI 21JUN2005	NAME
0 PLC ± -	1 PLC ± -	2 PLC ± 0.13[.005]	3 PLC ± -	4 PLC ± -
ANGLES ± 1°				

MATERIAL: 1 FINISH: 2

PRODUCT SPEC: MTA-156 HEADER ASSEMBLY, HIGH TEMP, STRAIGHT .045 ROUND POST, TIN OR TIN-LEAD

APPLICATION SPEC: A1 00779 C=647648

SCALE: 5:1 SHEET 1 OF 1 REV A2

Mouser Electronics

Authorized Distributor

Click to View Pricing, Inventory, Delivery & Lifecycle Information:

[TE Connectivity:](#)

[3-647648-4](#)