

SNx4LV132A Quadruple Positive-NAND Gates With Schmitt-Trigger Inputs

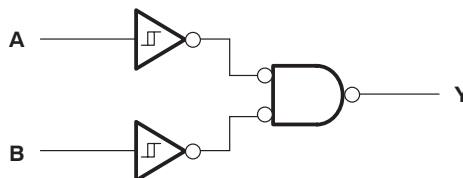
1 Features

- 2-V to 5.5-V V_{CC} Operation
- Max t_{pd} of 9 ns at 5 V
- Typical V_{OLP} (Output Ground Bounce) <0.8 V at $V_{CC} = 3.3$ V, $T_A = 25^\circ\text{C}$
- Typical V_{OHV} (Output V_{OH} Undershoot) >2.3 V at $V_{CC} = 3.3$ V, $T_A = 25^\circ\text{C}$
- Support Mixed-Mode Voltage Operation on All Ports
- Latch-Up Performance Exceeds 250 mA per JESD 17
- I_{off} Supports Live Insertion, Partial Power-Down Mode, and Back Drive Protection
- ESD Protection Exceeds JESD 22
 - 2000-V Human-Body Model (A114-A)
 - 200-V Machine Model (A115-A)
 - 1000-V Charged-Device Model (C101)

2 Applications

- Industrial PC: Rugged PC and Laptop
- Access Control and Security: Camera Surveillance IP Network
- Vending, Payment and Change Machines
- Patient Monitoring STB / DVR / Streaming Media (Withdraw)
- Other Motor Drives (Such as Switch Reluctance)

4 Logic Diagram (Positive Logic)



3 Description

The 'LV132A devices are quadruple positive-NAND gates designed for 2-V to 5.5-V V_{CC} operation.

The 'LV132A devices perform the Boolean function $Y = A \cdot B$ or $Y = \overline{A + B}$ in positive logic.

Each circuit functions as a NAND gate, but because of the Schmitt trigger, it has different input threshold levels for positive- and negative-going signals.

These circuits are temperature compensated and can be triggered from the slowest of input ramps and still give clean jitter-free output signals.

Device Information⁽¹⁾

| PART NUMBER | PACKAGE | BODY SIZE (NOM) |
|-------------|------------|--------------------|
| LV132A | SOIC (14) | 8.65 mm x 3.91 mm |
| | SOP (14) | 10.30 mm x 5.30 mm |
| | SSOP (14) | 6.20 mm x 5.30 mm |
| | TSSOP (14) | 5.00 mm x 4.40 mm |
| | TVSOP (14) | 3.60 mm x 4.40 mm |

(1) For all available packages, see the orderable addendum at the end of the data sheet.



Table of Contents

| | | | |
|--|----------|--|-----------|
| 1 Features | 1 | 9 Detailed Description | 9 |
| 2 Applications | 1 | 9.1 Overview | 9 |
| 3 Description | 1 | 9.2 Functional Block Diagram | 9 |
| 4 Logic Diagram (Positive Logic) | 1 | 9.3 Feature Description | 9 |
| 5 Revision History | 2 | 9.4 Device Functional Modes | 9 |
| 6 Pin Configuration and Functions | 3 | 10 Application and Implementation | 10 |
| 7 Specifications | 4 | 10.1 Application Information | 10 |
| 7.1 Absolute Maximum Ratings | 4 | 10.2 Typical Application | 10 |
| 7.2 ESD Ratings | 4 | 11 Power Supply Recommendations | 11 |
| 7.3 Recommended Operating Conditions | 4 | 12 Layout | 11 |
| 7.4 Thermal Information | 5 | 12.1 Layout Guidelines | 11 |
| 7.5 Electrical Characteristics | 5 | 12.2 Layout Example | 11 |
| 7.6 Switching Characteristics | 6 | 13 Device and Documentation Support | 12 |
| 7.7 Switching Characteristics | 6 | 13.1 Related Links | 12 |
| 7.8 Switching Characteristics | 6 | 13.2 Trademarks | 12 |
| 7.9 Noise Characteristics for SN74LV132A | 6 | 13.3 Electrostatic Discharge Caution | 12 |
| 7.10 Operating Characteristics | 6 | 13.4 Glossary | 12 |
| 7.11 Typical Characteristics | 7 | 14 Mechanical, Packaging, and Orderable Information | 12 |
| 8 Parameter Measurement Information | 8 | | |

5 Revision History

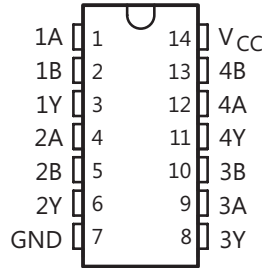
Changes from Revision I (June 2010) to Revision J

Page

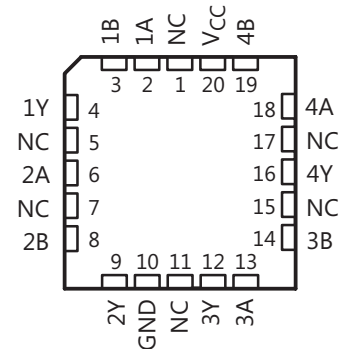
- Added *ESD Ratings* table, *Feature Description* section, *Device Functional Modes*, *Application and Implementation* section, *Power Supply Recommendations* section, *Layout* section, *Device and Documentation Support* section, and *Mechanical, Packaging, and Orderable Information* section
- Updated operating free-air temperature maximum from 85°C to 125°C for SN74LV126A

6 Pin Configuration and Functions

SN54LV132A: J or W Package
SN74LV132A: D, DB, DGV, NS, or PW Package
(Top View)



SN54LV132A: FK Package
(Top View)



A. NC - No internal connection

Pin Functions

| PIN | | I/O | DESCRIPTION |
|-----|-----------------|-----|-----------------|
| NO. | NAME | | |
| 1 | 1A | I | 1A input |
| 2 | 1B | I | 1B |
| 3 | 1Y | O | 1Y |
| 4 | 2A | I | 2A |
| 5 | 2B | I | 2B |
| 6 | 2Y | O | 2Y |
| 7 | GND | — | GND |
| 8 | 3Y | O | 3Y |
| 9 | 3A | I | 3A |
| 10 | 3B | I | 3B |
| 11 | 4Y | O | 4Y |
| 12 | 4A | I | 4A |
| 13 | 4B | I | 4B |
| 14 | V _{CC} | — | V _{CC} |

7 Specifications

7.1 Absolute Maximum Ratings⁽¹⁾

over operating free-air temperature (unless otherwise noted)

| | | MIN | MAX | UNIT | |
|-----------|---|-----------------------|----------------|------|----|
| V_{CC} | Supply voltage | –0.5 | 7 | V | |
| V_I | Input voltage ⁽²⁾ | –0.5 | 7 | V | |
| V_O | Voltage applied to any output in the high-impedance or power-off state ⁽²⁾ | –0.5 | 7 | V | |
| V_O | Output voltage ⁽²⁾ ⁽³⁾ | –0.5 | $V_{CC} + 0.5$ | V | |
| I_{IK} | Input clamp current | $V_I < 0$ | –20 | mA | |
| I_{OK} | Output clamp current | $V_O < 0$ | –50 | mA | |
| I_O | Continuous output current | $V_O = 0$ to V_{CC} | –25 | 25 | mA |
| | Continuous current through V_{CC} or GND | | –50 | 50 | mA |
| T_{stg} | Storage temperature | | –65 | 150 | °C |

- (1) Stresses beyond those listed under *Absolute Maximum Ratings* may cause permanent damage to the device. These are stress ratings only, which do not imply functional operation of the device at these or any other conditions beyond those indicated under *Recommended Operating Conditions*. Exposure to absolute-maximum-rated conditions for extended periods may affect device reliability.
- (2) The input and output negative-voltage ratings may be exceeded if the input and output current ratings are observed.
- (3) The value is limited to 5.5-V maximum.

7.2 ESD Ratings

| | | VALUE | UNIT |
|-------------|-------------------------|--|-------|
| $V_{(ESD)}$ | Electrostatic discharge | Human-body model (HBM), per ANSI/ESDA/JEDEC JS-001 ⁽¹⁾ | ±2000 |
| | | Charged-device model (CDM), per JEDEC specification JESD22-C101 ⁽²⁾ | ±1000 |
| | | Machine model (A115-A) | 200 |

- (1) JEDEC document JEP155 states that 500-V HBM allows safe manufacturing with a standard ESD control process.
- (2) JEDEC document JEP157 states that 250-V CDM allows safe manufacturing with a standard ESD control process.

7.3 Recommended Operating Conditions

 See ⁽¹⁾⁽²⁾

| | | MIN | MAX | UNIT | |
|----------|--------------------------------|---------------------------|----------|------|----|
| V_{CC} | Supply voltage | 2 | 5.5 | V | |
| V_I | Input voltage | 0 | 5.5 | V | |
| V_O | Output voltage | 0 | V_{CC} | V | |
| I_{OH} | High-level output current | $V_{CC} = 2$ V | –50 | μA | |
| | | $V_{CC} = 2.3$ V to 2.7 V | –2 | mA | |
| | | $V_{CC} = 3$ V to 3.6 V | –6 | | |
| | | $V_{CC} = 4.5$ V to 5.5 V | –12 | | |
| I_{OL} | Low-level output current | $V_{CC} = 2$ V | 50 | μA | |
| | | $V_{CC} = 2.3$ V to 2.7 V | 2 | mA | |
| | | $V_{CC} = 3$ V to 3.6 V | 6 | | |
| | | $V_{CC} = 4.5$ V to 5.5 V | 12 | | |
| T_A | Operating free-air temperature | SN54LV132A | –55 | 125 | °C |
| | | SN74LV132A | –40 | 125 | |

- (1) All unused inputs of the device must be held at V_{CC} or GND to ensure proper device operation. See the TI application report, *Implications of Slow or Floating CMOS Inputs*, [SCBA004](#).
- (2) SN54LV132A is in product preview

7.4 Thermal Information

over operating free-air temperature range (unless otherwise noted)

| THERMAL METRIC ⁽¹⁾ | | D | DB | DGV | NS | PW | UNIT |
|-------------------------------|--|---------|-------|-------|------|-------|------|
| | | 14 PINS | | | | | |
| R _{θJA} | Junction-to-ambient thermal resistance | 90.6 | 107.1 | 129.0 | 90.7 | 122.6 | °C/W |
| R _{θJC(top)} | Junction-to-case (top) thermal resistance | 50.9 | 59.6 | 52.1 | 48.3 | 51.4 | |
| R _{θJB} | Junction-to-board thermal resistance | 44.8 | 54.4 | 62.0 | 49.4 | 64.4 | |
| ψ _{JT} | Junction-to-top characterization parameter | 14.7 | 20.5 | 6.5 | 14.6 | 6.7 | |
| ψ _{JB} | Junction-to-board characterization parameter | 44.5 | 53.8 | 61.3 | 49.1 | 63.8 | |

 (1) For more information about traditional and new thermal metrics, see the *IC Package Thermal Metrics* application report, [SPRA953](#).

7.5 Electrical Characteristics

over recommended operating free-air temperature range (unless otherwise noted)

| PARAMETER | TEST CONDITIONS | V _{CC} | SN54LV132A ⁽¹⁾ | | | SN74LV132A | | | UNIT |
|------------------|---|-----------------|---------------------------|-----|-----------------------|------------|-----|------|------|
| | | | MIN | TYP | MAX | MIN | TYP | MAX | |
| V _{T+} | Positive-going input threshold voltage | 2.5 V | 1 | | 1.75 | 1 | | 1.75 | V |
| | | 3.3 V | 1.31 | | 2.31 | 1.31 | | 2.31 | |
| | | 5 V | 1.95 | | 3.5 | 1.95 | | 3.5 | |
| V _{T-} | Negative-going input threshold voltage | 2.5 V | 0.75 | | 1.5 | 0.75 | | 1.5 | V |
| | | 3.3 V | 0.99 | | 2.07 | 0.99 | | 2.07 | |
| | | 5 V | 1.5 | | 3.05 | 1.5 | | 3.05 | |
| ΔV _T | Hysteresis (V _{T+} – V _{T-}) | 2.5 V | 0.25 | | 1 | 0.25 | | 1 | V |
| | | 3.3 V | 0.33 | | 1.32 | 0.33 | | 1.32 | |
| | | 5 V | 0.5 | | 2 | 0.5 | | 2 | |
| V _{OH} | I _{OH} = –50 μA | 2 to 5.5 V | V _{CC} – 0.1 | | V _{CC} – 0.1 | | | V | |
| | I _{OH} = –2 mA | 2.3 V | 2 | | 2 | | | | |
| | I _{OH} = –6 mA | 3 V | 2.48 | | 2.48 | | | | |
| | I _{OH} = –12 mA | 4.5 V | 3.8 | | 3.8 | | | | |
| V _{OL} | I _{OL} = 50 μA | 2 to 5.5 V | | | 0.1 | | | V | |
| | I _{OL} = 2 mA | 2.3 V | | | 0.4 | | | | |
| | I _{OL} = 6 mA | 3 V | | | 0.44 | | | | |
| | I _{OL} = 12 mA | 4.5 V | | | 0.55 | | | | |
| I _I | V _I = 5.5 V or GND | 0 to 5.5 V | | | ±1 | | | μA | |
| I _{CC} | V _I = V _{CC} or GND, I _O = 0 | 5.5 V | | | 20 | | | μA | |
| I _{off} | V _I or V _O = 0 to 5.5 V | 0 V | | | 5 | | | μA | |
| C _i | V _I = V _{CC} or GND | 3.3 V | 1.9 | | 1.9 | | | pF | |

(1) SN54LV132A is in product preview

7.6 Switching Characteristics

over recommended operating free-air temperature range, $V_{CC} = 2.5\text{ V} \pm 0.2\text{ V}$ (unless otherwise noted) (see [Figure 3](#))

| PARAMETER | FROM (INPUT) | TO (OUTPUT) | LOAD CAPACITANCE | $T_A = 25^\circ\text{C}$ | | | SN54LV132A ⁽¹⁾ | | SN74LV132A | | UNIT |
|-----------|--------------|-------------|----------------------|--------------------------|---------------------|------------------|---------------------------|-----|------------|-----|------|
| | | | | MIN | TYP | MAX | MIN | MAX | MIN | MAX | |
| t_{pd} | A or B | Y | $C_L = 15\text{ pF}$ | 7.9 ⁽²⁾ | 16.5 ⁽²⁾ | 1 ⁽²⁾ | 18.5 ⁽²⁾ | 1 | 18.5 | ns | |
| | | | $C_L = 50\text{ pF}$ | 10.8 | 20.2 | 1 | 23 | 1 | 23 | | |

- (1) SN54LV132A is in product preview
- (2) On products compliant to MIL-PRF-38535, this parameter is not production tested.

7.7 Switching Characteristics

over recommended operating free-air temperature range, $V_{CC} = 3.3\text{ V} \pm 0.3\text{ V}$ (unless otherwise noted) (see [Figure 3](#))

| PARAMETER | FROM (INPUT) | TO (OUTPUT) | LOAD CAPACITANCE | $T_A = 25^\circ\text{C}$ | | | SN54LV132A ⁽¹⁾ | | SN74LV132A | | UNIT |
|-----------|--------------|-------------|----------------------|--------------------------|---------------------|------------------|---------------------------|-----|------------|-----|------|
| | | | | MIN | TYP | MAX | MIN | MAX | MIN | MAX | |
| t_{pd} | A or B | Y | $C_L = 15\text{ pF}$ | 5.6 ⁽²⁾ | 11.9 ⁽²⁾ | 1 ⁽²⁾ | 14 ⁽²⁾ | 1 | 14 | ns | |
| | | | $C_L = 50\text{ pF}$ | 7.6 | 15.4 | 1 | 17.5 | 1 | 17.5 | | |

- (1) SN54LV132A is in product preview
- (2) On products compliant to MIL-PRF-38535, this parameter is not production tested.

7.8 Switching Characteristics

over recommended operating free-air temperature range, $V_{CC} = 5\text{ V} \pm 0.5\text{ V}$ (unless otherwise noted) (see [Figure 3](#))

| PARAMETER | FROM (INPUT) | TO (OUTPUT) | LOAD CAPACITANCE | $T_A = 25^\circ\text{C}$ | | | SN54LV132A ⁽¹⁾ | | SN74LV132A | | UNIT |
|-----------|--------------|-------------|----------------------|--------------------------|--------------------|------------------|---------------------------|-----|------------|-----|------|
| | | | | MIN | TYP | MAX | MIN | MAX | MIN | MAX | |
| t_{pd} | A or B | Y | $C_L = 15\text{ pF}$ | 3.9 ⁽²⁾ | 7.7 ⁽²⁾ | 1 ⁽²⁾ | 9 ⁽²⁾ | 1 | 9 | ns | |
| | | | $C_L = 50\text{ pF}$ | 5.3 | 9.7 | 1 | 11 | 1 | 11 | | |

- (1) SN54LV132A is in product preview
- (2) On products compliant to MIL-PRF-38535, this parameter is not production tested.

7.9 Noise Characteristics for SN74LV132A

$V_{CC} = 3.3\text{ V}$, $C_L = 50\text{ pF}$, $T_A = 25^\circ\text{C}$ ⁽¹⁾

| PARAMETER | | MIN | TYP | MAX | UNIT |
|-------------|--|------|-------|------|------|
| $V_{OL(P)}$ | Quiet output, maximum dynamic V_{OL} | | 0.21 | 0.8 | V |
| $V_{OL(V)}$ | Quiet output, minimum dynamic V_{OL} | | -0.09 | -0.8 | |
| $V_{OH(V)}$ | Quiet output, minimum dynamic V_{OH} | | 3.12 | | |
| $V_{IH(D)}$ | High-level dynamic input voltage | 2.31 | | | |
| $V_{IL(D)}$ | Low-level dynamic input voltage | | | 0.99 | |

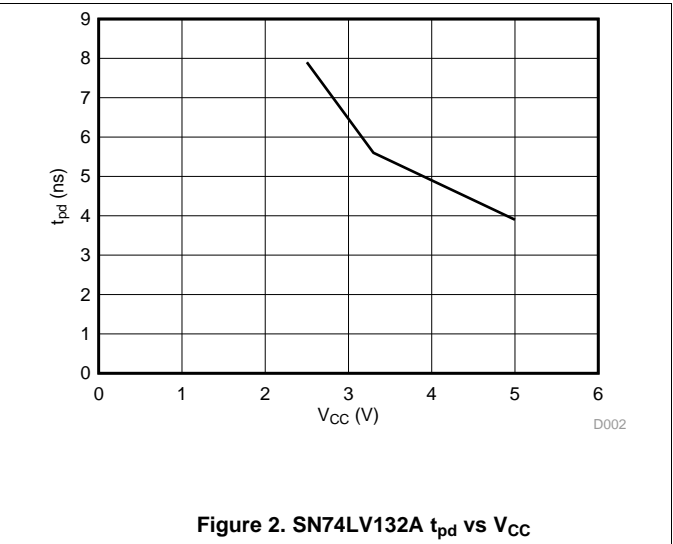
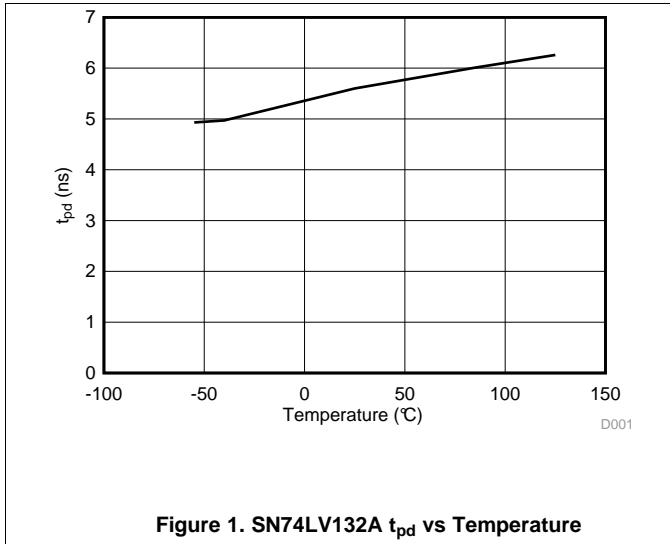
- (1) Characteristics are for surface-mount packages only.

7.10 Operating Characteristics

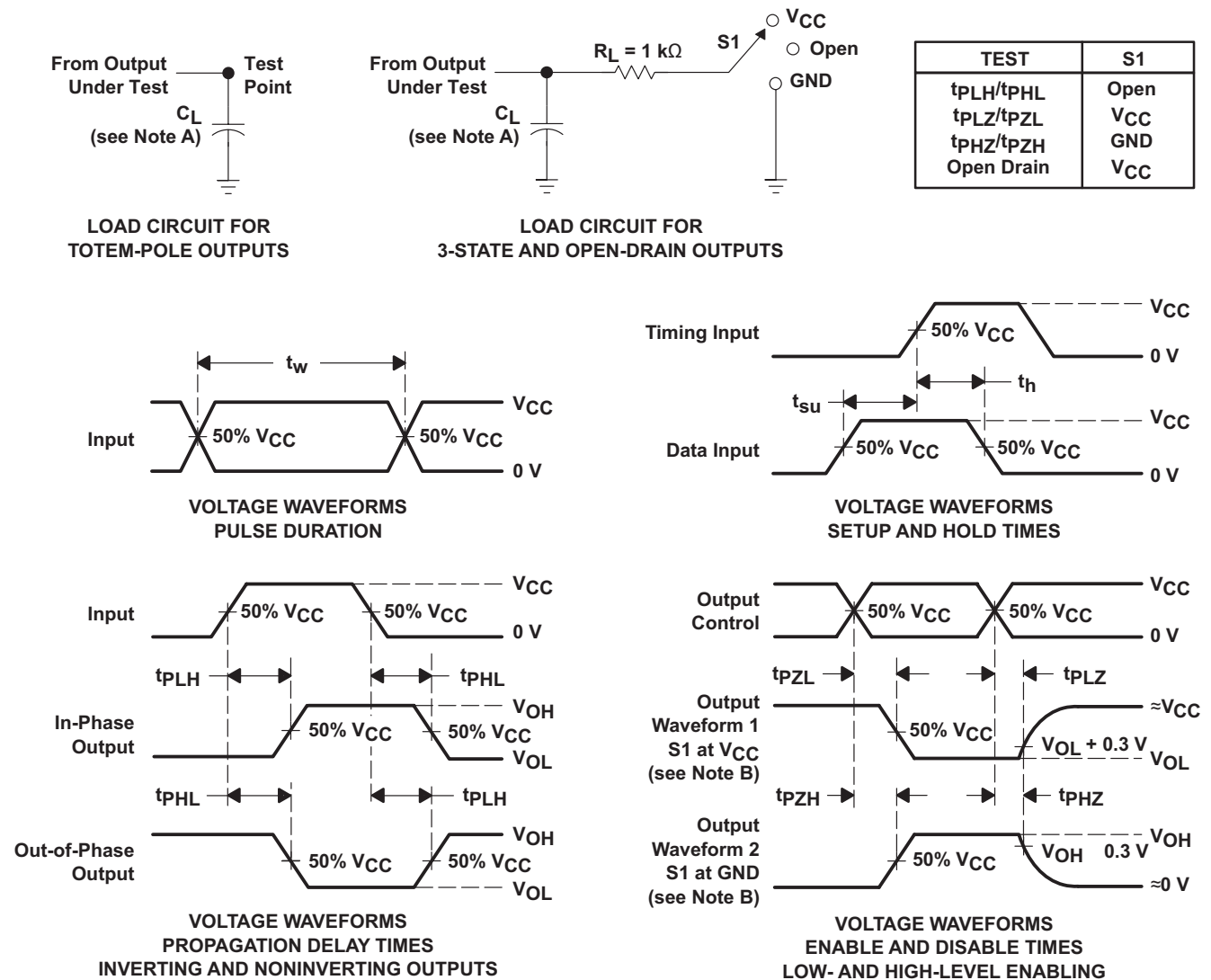
$T_A = 25^\circ\text{C}$

| PARAMETER | | TEST CONDITIONS | V_{CC} | TYP | UNIT |
|-----------|-------------------------------|--|----------|------|------|
| C_{pd} | Power dissipation capacitance | $C_L = 50\text{ pF}$, $f = 10\text{ MHz}$ | 3.3 V | 7.5 | pF |
| | | | 5 V | 11.2 | |

7.11 Typical Characteristics



8 Parameter Measurement Information



- A. C_L includes probe and jig capacitance.
- B. Waveform 1 is for an output with internal conditions such that the output is low, except when disabled by the output control. Waveform 2 is for an output with internal conditions such that the output is high, except when disabled by the output control.
- C. All input pulses are supplied by generators having the following characteristics: $PRR \leq 1\text{ MHz}$, $Z_O = 50\ \Omega$, $t_r \leq 3\text{ ns}$, $t_f \leq 3\text{ ns}$.
- D. The outputs are measured one at a time, with one input transition per measurement.
- E. t_{PLZ} and t_{PHZ} are the same as t_{dis} .
- F. t_{PZL} and t_{PZH} are the same as t_{en} .
- G. t_{PHL} and t_{PLH} are the same as t_{pd} .
- H. All parameters and waveforms are not applicable to all devices.

Figure 3. Load Circuit and Voltage Waveforms

9 Detailed Description

9.1 Overview

The SN74LV132A is a quadruple 2-input positive NAND gate with low drive that produces slow rise and fall times. This reduces ringing on the output signal. Each circuit functions as a NAND gate, but because of the Schmitt trigger, it has different input threshold levels for positive- and negative-going signals. These circuits are temperature compensated and can be triggered from the slowest of input ramps and still give clean jitter-free output signals.

9.2 Functional Block Diagram

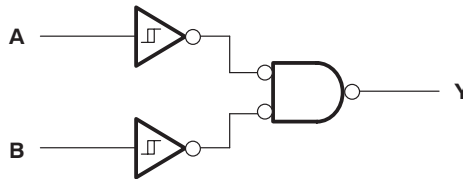


Figure 4. Logic Diagram (Positive Logic)

9.3 Feature Description

- Wide operating voltage range, operates from 2 to 5.5 V
- Allows down voltage translation, inputs accept voltages to 5.5 V

9.4 Device Functional Modes

Table 1. Function Table

| INPUTS | | OUTPUT Y |
|--------|---|-------------|
| A | B | |
| H | H | L |
| L | X | H |
| X | L | H |

10 Application and Implementation

NOTE

Information in the following applications sections is not part of the TI component specification, and TI does not warrant its accuracy or completeness. TI's customers are responsible for determining suitability of components for their purposes. Customers should validate and test their design implementation to confirm system functionality.

10.1 Application Information

The SN74LV132A is a low-drive CMOS device that can be used for a multitude of bus interface type applications where output ringing is a concern. The low drive and slow edge rates will minimize overshoot and undershoot on the outputs. The inputs can accept voltages to 5.5 V at any valid V_{CC} making it ideal for down translation.

10.2 Typical Application

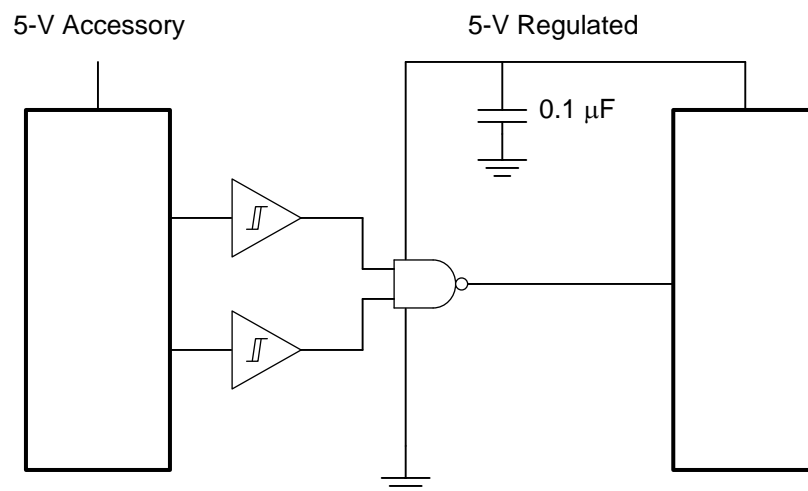


Figure 5. Typical Application Schematic

10.2.1 Design Requirements

This device uses CMOS technology and has balanced output drive. Care should be taken to avoid bus contention because it can drive currents that would exceed maximum limits. The high drive will also create fast edges into light loads so routing and load conditions should be considered to prevent ringing. The Schmitt trigger inputs allow for slow or noisy inputs while producing clean outputs.

10.2.2 Detailed Design Procedure

1. Recommended input conditions
 - Specified high and low levels. See (V_{IH} and V_{IL}) in [Recommended Operating Conditions](#).
 - Inputs are overvoltage tolerant allowing them to go as high as 5.5 V at any valid V_{CC}
2. Recommend output conditions
 - Load currents should not exceed 25 mA per output and 50 mA total for the part
 - Outputs should not be pulled above V_{CC}

Typical Application (continued)

10.2.3 Application Curve

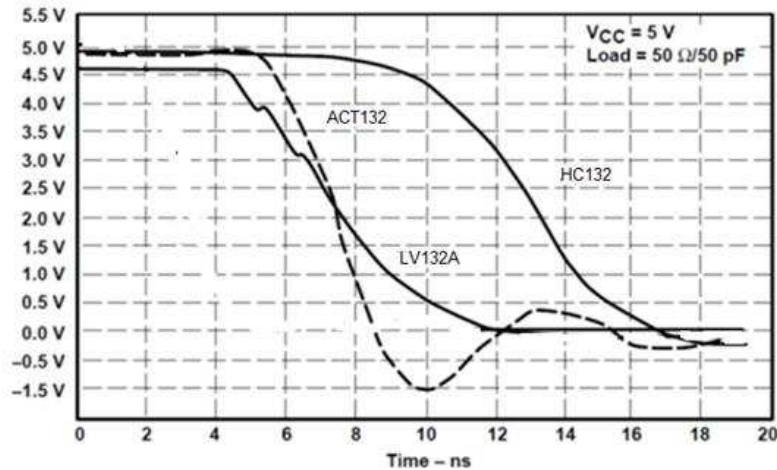


Figure 6. Switching Characteristics Comparison

11 Power Supply Recommendations

The power supply can be any voltage between the min and max supply voltage rating located in [Recommended Operating Conditions](#).

Each V_{CC} terminal should have a good bypass capacitor to prevent power disturbance. For devices with a single supply, TI recommends 0.1 μF and if there are multiple V_{CC} terminals then TI recommends .01 μF or .022 μF for each power terminal. It is okay to parallel multiple bypass caps to reject different frequencies of noise. A 0.1 μF and 1 μF are commonly used in parallel. The bypass capacitor should be installed as close to the power terminal as possible for best results.

12 Layout

12.1 Layout Guidelines

When using multiple bit logic devices inputs should not ever float. In many cases, functions or parts of functions of digital logic devices are unused, for example, when only two inputs of a triple-input AND gate are used or only 3 of the 4 buffer gates are used. Such input pins should not be left unconnected because the undefined voltages at the outside connections result in undefined operational states. Specified below are the rules that must be observed under all circumstances. All unused inputs of digital logic devices must be connected to a high or low bias to prevent them from floating. The logic level that should be applied to any particular unused input depends on the function of the device. Generally they will be tied to GND or V_{CC} whichever make more sense or is more convenient. It is generally okay to float outputs unless the part is a transceiver. If the transceiver has an output enable pin it will disable the outputs section of the part when asserted. This will not disable the input section of the IOs so they also cannot float when disabled.

12.2 Layout Example

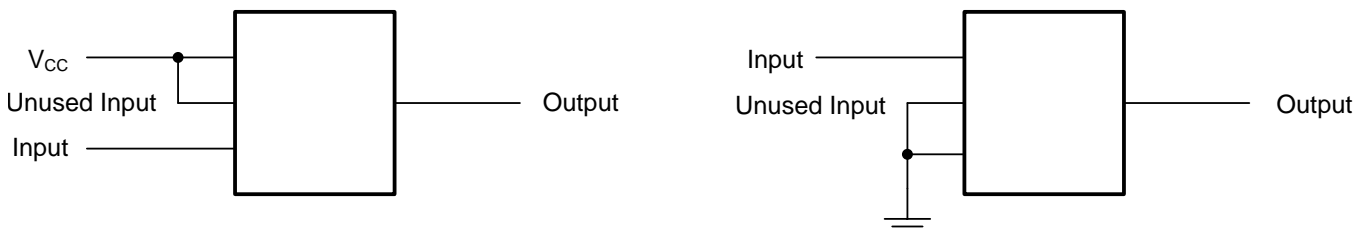


Figure 7. Layout Recommendation

13 Device and Documentation Support

13.1 Related Links

The table below lists quick access links. Categories include technical documents, support and community resources, tools and software, and quick access to sample or buy.

Table 2. Related Links

| PARTS | PRODUCT FOLDER | SAMPLE & BUY | TECHNICAL DOCUMENTS | TOOLS & SOFTWARE | SUPPORT & COMMUNITY |
|------------|----------------------------|----------------------------|----------------------------|----------------------------|----------------------------|
| SN54LV132A | Click here | Click here | Click here | Click here | Click here |
| SN74LV132A | Click here | Click here | Click here | Click here | Click here |

13.2 Trademarks

All trademarks are the property of their respective owners.

13.3 Electrostatic Discharge Caution



These devices have limited built-in ESD protection. The leads should be shorted together or the device placed in conductive foam during storage or handling to prevent electrostatic damage to the MOS gates.

13.4 Glossary

[SLYZ022](#) — *TI Glossary*.

This glossary lists and explains terms, acronyms, and definitions.

14 Mechanical, Packaging, and Orderable Information

The following pages include mechanical, packaging, and orderable information. This information is the most current data available for the designated devices. This data is subject to change without notice and revision of this document. For browser-based versions of this data sheet, refer to the left-hand navigation.

PACKAGING INFORMATION

| Orderable Device | Status (1) | Package Type | Package Drawing | Pins | Package Qty | Eco Plan (2) | Lead finish/ Ball material (6) | MSL Peak Temp (3) | Op Temp (°C) | Device Marking (4/5) | Samples |
|------------------|---------------|--------------|-----------------|------|-------------|-----------------|--------------------------------------|----------------------|--------------|-------------------------|-------------------------|
| SN74LV132ADBR | ACTIVE | SSOP | DB | 14 | 2000 | RoHS & Green | NIPDAU | Level-1-260C-UNLIM | -40 to 125 | LV132A | Samples |
| SN74LV132ADGVR | ACTIVE | TVSOP | DGV | 14 | 2000 | RoHS & Green | NIPDAU | Level-1-260C-UNLIM | -40 to 125 | LV132A | Samples |
| SN74LV132ADR | ACTIVE | SOIC | D | 14 | 2500 | RoHS & Green | NIPDAU SN | Level-1-260C-UNLIM | -40 to 125 | LV132A | Samples |
| SN74LV132ANSR | ACTIVE | SO | NS | 14 | 2000 | RoHS & Green | NIPDAU | Level-1-260C-UNLIM | -40 to 125 | 74LV132A | Samples |
| SN74LV132APWR | ACTIVE | TSSOP | PW | 14 | 2000 | RoHS & Green | NIPDAU SN | Level-1-260C-UNLIM | -40 to 125 | (LV132, LV132A) | Samples |

(1) The marketing status values are defined as follows:

ACTIVE: Product device recommended for new designs.

LIFEBUY: TI has announced that the device will be discontinued, and a lifetime-buy period is in effect.

NRND: Not recommended for new designs. Device is in production to support existing customers, but TI does not recommend using this part in a new design.

PREVIEW: Device has been announced but is not in production. Samples may or may not be available.

OBSELETE: TI has discontinued the production of the device.

(2) **RoHS:** TI defines "RoHS" to mean semiconductor products that are compliant with the current EU RoHS requirements for all 10 RoHS substances, including the requirement that RoHS substance do not exceed 0.1% by weight in homogeneous materials. Where designed to be soldered at high temperatures, "RoHS" products are suitable for use in specified lead-free processes. TI may reference these types of products as "Pb-Free".

RoHS Exempt: TI defines "RoHS Exempt" to mean products that contain lead but are compliant with EU RoHS pursuant to a specific EU RoHS exemption.

Green: TI defines "Green" to mean the content of Chlorine (Cl) and Bromine (Br) based flame retardants meet JS709B low halogen requirements of <=1000ppm threshold. Antimony trioxide based flame retardants must also meet the <=1000ppm threshold requirement.

(3) MSL, Peak Temp. - The Moisture Sensitivity Level rating according to the JEDEC industry standard classifications, and peak solder temperature.

(4) There may be additional marking, which relates to the logo, the lot trace code information, or the environmental category on the device.

(5) Multiple Device Markings will be inside parentheses. Only one Device Marking contained in parentheses and separated by a "~" will appear on a device. If a line is indented then it is a continuation of the previous line and the two combined represent the entire Device Marking for that device.

(6) Lead finish/Ball material - Orderable Devices may have multiple material finish options. Finish options are separated by a vertical ruled line. Lead finish/Ball material values may wrap to two lines if the finish value exceeds the maximum column width.

Important Information and Disclaimer: The information provided on this page represents TI's knowledge and belief as of the date that it is provided. TI bases its knowledge and belief on information provided by third parties, and makes no representation or warranty as to the accuracy of such information. Efforts are underway to better integrate information from third parties. TI has taken and continues to take reasonable steps to provide representative and accurate information but may not have conducted destructive testing or chemical analysis on incoming materials and chemicals. TI and TI suppliers consider certain information to be proprietary, and thus CAS numbers and other limited information may not be available for release.

In no event shall TI's liability arising out of such information exceed the total purchase price of the TI part(s) at issue in this document sold by TI to Customer on an annual basis.

TAPE AND REEL INFORMATION

QUADRANT ASSIGNMENTS FOR PIN 1 ORIENTATION IN TAPE


*All dimensions are nominal

| Device | Package Type | Package Drawing | Pins | SPQ | Reel Diameter (mm) | Reel Width W1 (mm) | A0 (mm) | B0 (mm) | K0 (mm) | P1 (mm) | W (mm) | Pin1 Quadrant |
|----------------|--------------|-----------------|------|------|--------------------|--------------------|---------|---------|---------|---------|--------|---------------|
| SN74LV132ADBR | SSOP | DB | 14 | 2000 | 330.0 | 16.4 | 8.35 | 6.6 | 2.4 | 12.0 | 16.0 | Q1 |
| SN74LV132ADGVR | TVSOP | DGV | 14 | 2000 | 330.0 | 12.4 | 6.8 | 4.0 | 1.6 | 8.0 | 12.0 | Q1 |
| SN74LV132ADR | SOIC | D | 14 | 2500 | 330.0 | 16.4 | 6.5 | 9.0 | 2.1 | 8.0 | 16.0 | Q1 |
| SN74LV132ANSR | SO | NS | 14 | 2000 | 330.0 | 16.4 | 8.2 | 10.5 | 2.5 | 12.0 | 16.0 | Q1 |
| SN74LV132APWR | TSSOP | PW | 14 | 2000 | 330.0 | 12.4 | 6.9 | 5.6 | 1.6 | 8.0 | 12.0 | Q1 |
| SN74LV132APWR | TSSOP | PW | 14 | 2000 | 330.0 | 12.4 | 6.9 | 5.6 | 1.6 | 8.0 | 12.0 | Q1 |
| SN74LV132APWR | TSSOP | PW | 14 | 2000 | 330.0 | 12.4 | 6.85 | 5.45 | 1.6 | 8.0 | 12.0 | Q1 |

TAPE AND REEL BOX DIMENSIONS


*All dimensions are nominal

| Device | Package Type | Package Drawing | Pins | SPQ | Length (mm) | Width (mm) | Height (mm) |
|----------------|--------------|-----------------|------|------|-------------|------------|-------------|
| SN74LV132ADBR | SSOP | DB | 14 | 2000 | 356.0 | 356.0 | 35.0 |
| SN74LV132ADGVR | TVSOP | DGV | 14 | 2000 | 356.0 | 356.0 | 35.0 |
| SN74LV132ADR | SOIC | D | 14 | 2500 | 356.0 | 356.0 | 35.0 |
| SN74LV132ANSR | SO | NS | 14 | 2000 | 356.0 | 356.0 | 35.0 |
| SN74LV132APWR | TSSOP | PW | 14 | 2000 | 356.0 | 356.0 | 35.0 |
| SN74LV132APWR | TSSOP | PW | 14 | 2000 | 356.0 | 356.0 | 35.0 |
| SN74LV132APWR | TSSOP | PW | 14 | 2000 | 366.0 | 364.0 | 50.0 |

MECHANICAL DATA

NS (R-PDSO-G**)

PLASTIC SMALL-OUTLINE PACKAGE

14-PINS SHOWN



- NOTES:
- A. All linear dimensions are in millimeters.
 - B. This drawing is subject to change without notice.
 - C. Body dimensions do not include mold flash or protrusion, not to exceed 0,15.

DGV (R-PDSO-G**)

PLASTIC SMALL-OUTLINE

24 PINS SHOWN

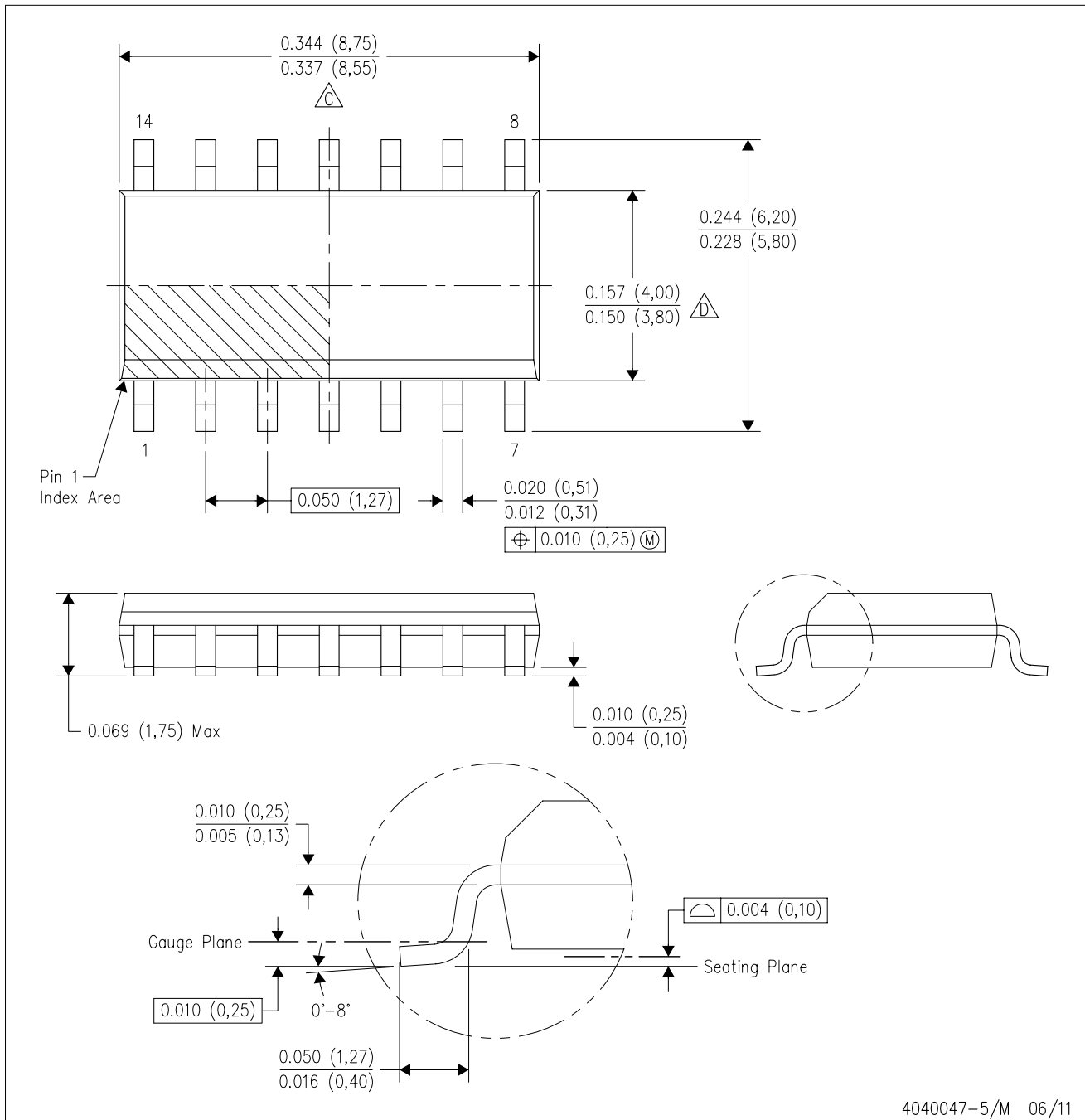


4073251/E 08/00

- NOTES: A. All linear dimensions are in millimeters.
 B. This drawing is subject to change without notice.
 C. Body dimensions do not include mold flash or protrusion, not to exceed 0,15 per side.
 D. Falls within JEDEC: 24/48 Pins – MO-153
 14/16/20/56 Pins – MO-194

D (R-PDSO-G14)

PLASTIC SMALL OUTLINE



4040047-5/M 06/11

- NOTES:
- All linear dimensions are in inches (millimeters).
 - This drawing is subject to change without notice.
 - Body length does not include mold flash, protrusions, or gate burrs. Mold flash, protrusions, or gate burrs shall not exceed 0.006 (0,15) each side.
 - Body width does not include interlead flash. Interlead flash shall not exceed 0.017 (0,43) each side.
 - Reference JEDEC MS-012 variation AB.

D (R-PDSO-G14)

PLASTIC SMALL OUTLINE



4211283-3/E 08/12

- NOTES:
- A. All linear dimensions are in millimeters.
 - B. This drawing is subject to change without notice.
 - C. Publication IPC-7351 is recommended for alternate designs.
 - D. Laser cutting apertures with trapezoidal walls and also rounding corners will offer better paste release. Customers should contact their board assembly site for stencil design recommendations. Refer to IPC-7525 for other stencil recommendations.
 - E. Customers should contact their board fabrication site for solder mask tolerances between and around signal pads.

PW (R-PDSO-G14)

PLASTIC SMALL OUTLINE



- NOTES:
- A. All linear dimensions are in millimeters. Dimensioning and tolerancing per ASME Y14.5M-1994.
 - B. This drawing is subject to change without notice.
 -  Body length does not include mold flash, protrusions, or gate burrs. Mold flash, protrusions, or gate burrs shall not exceed 0,15 each side.
 -  Body width does not include interlead flash. Interlead flash shall not exceed 0,25 each side.
 - E. Falls within JEDEC MO-153

DB (R-PDSO-G**)

PLASTIC SMALL-OUTLINE

28 PINS SHOWN



- NOTES: A. All linear dimensions are in millimeters.
 B. This drawing is subject to change without notice.
 C. Body dimensions do not include mold flash or protrusion not to exceed 0,15.
 D. Falls within JEDEC MO-150

IMPORTANT NOTICE AND DISCLAIMER

TI PROVIDES TECHNICAL AND RELIABILITY DATA (INCLUDING DATA SHEETS), DESIGN RESOURCES (INCLUDING REFERENCE DESIGNS), APPLICATION OR OTHER DESIGN ADVICE, WEB TOOLS, SAFETY INFORMATION, AND OTHER RESOURCES "AS IS" AND WITH ALL FAULTS, AND DISCLAIMS ALL WARRANTIES, EXPRESS AND IMPLIED, INCLUDING WITHOUT LIMITATION ANY IMPLIED WARRANTIES OF MERCHANTABILITY, FITNESS FOR A PARTICULAR PURPOSE OR NON-INFRINGEMENT OF THIRD PARTY INTELLECTUAL PROPERTY RIGHTS.

These resources are intended for skilled developers designing with TI products. You are solely responsible for (1) selecting the appropriate TI products for your application, (2) designing, validating and testing your application, and (3) ensuring your application meets applicable standards, and any other safety, security, regulatory or other requirements.

These resources are subject to change without notice. TI grants you permission to use these resources only for development of an application that uses the TI products described in the resource. Other reproduction and display of these resources is prohibited. No license is granted to any other TI intellectual property right or to any third party intellectual property right. TI disclaims responsibility for, and you will fully indemnify TI and its representatives against, any claims, damages, costs, losses, and liabilities arising out of your use of these resources.

TI's products are provided subject to [TI's Terms of Sale](#) or other applicable terms available either on [ti.com](https://www.ti.com) or provided in conjunction with such TI products. TI's provision of these resources does not expand or otherwise alter TI's applicable warranties or warranty disclaimers for TI products.

TI objects to and rejects any additional or different terms you may have proposed.

Mailing Address: Texas Instruments, Post Office Box 655303, Dallas, Texas 75265
Copyright © 2024, Texas Instruments Incorporated