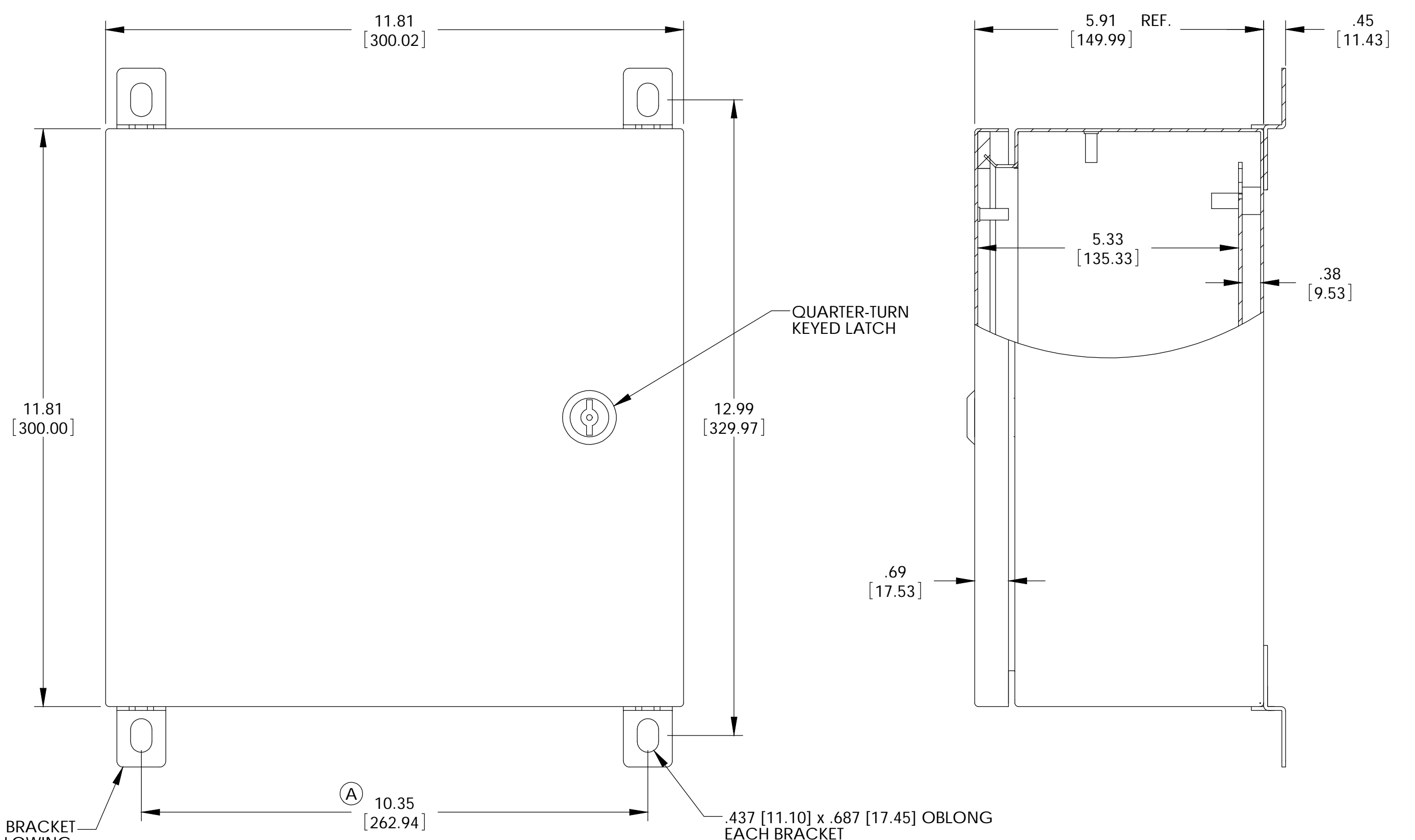


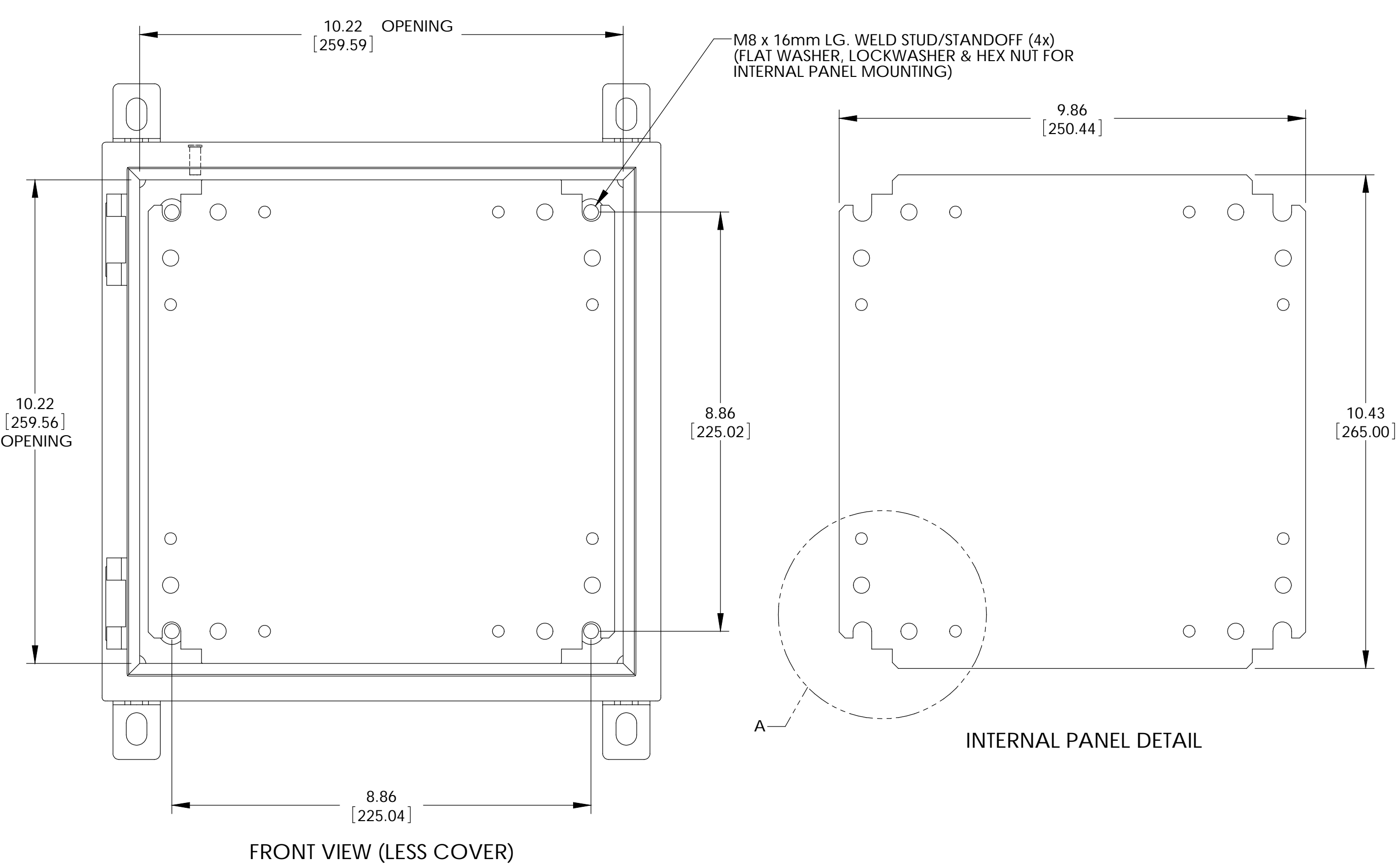
THE INFORMATION CONTAINED IN THIS DRAWING IS THE SOLE PROPERTY OF BUD INDUSTRIES INC. ANY REPRODUCTION IN PART OR WHOLE WITHOUT THE WRITTEN PERMISSION OF BUD INDUSTRIES INC. IS PROHIBITED.

DWG. NO. SNB-3733	
ISSUE	REVISIONS
(A)	PER ECN #10446 1-13-09 BT



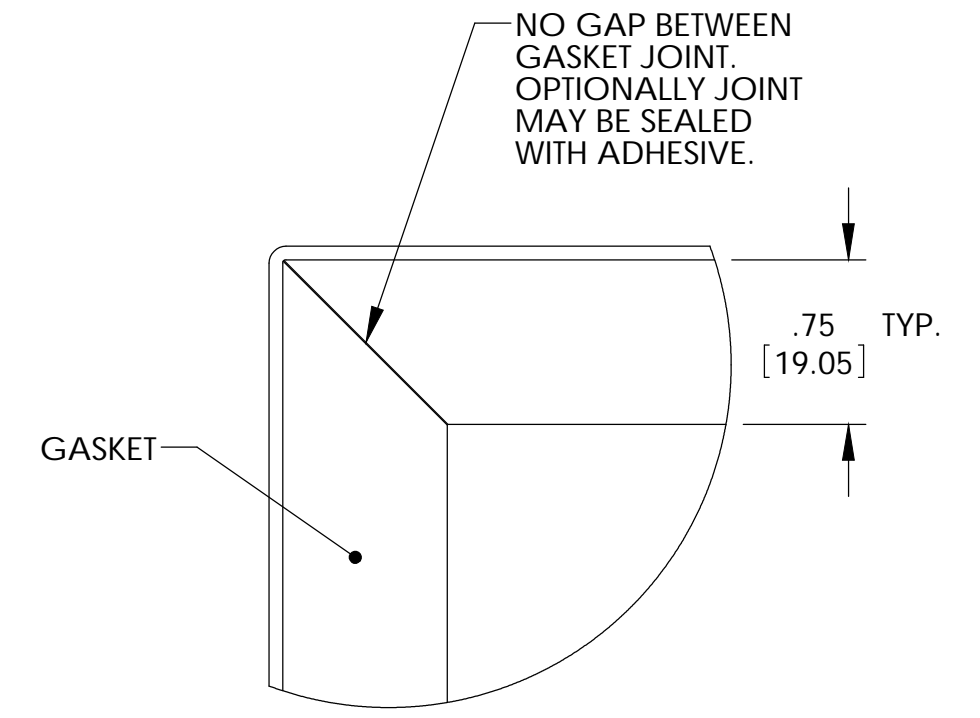
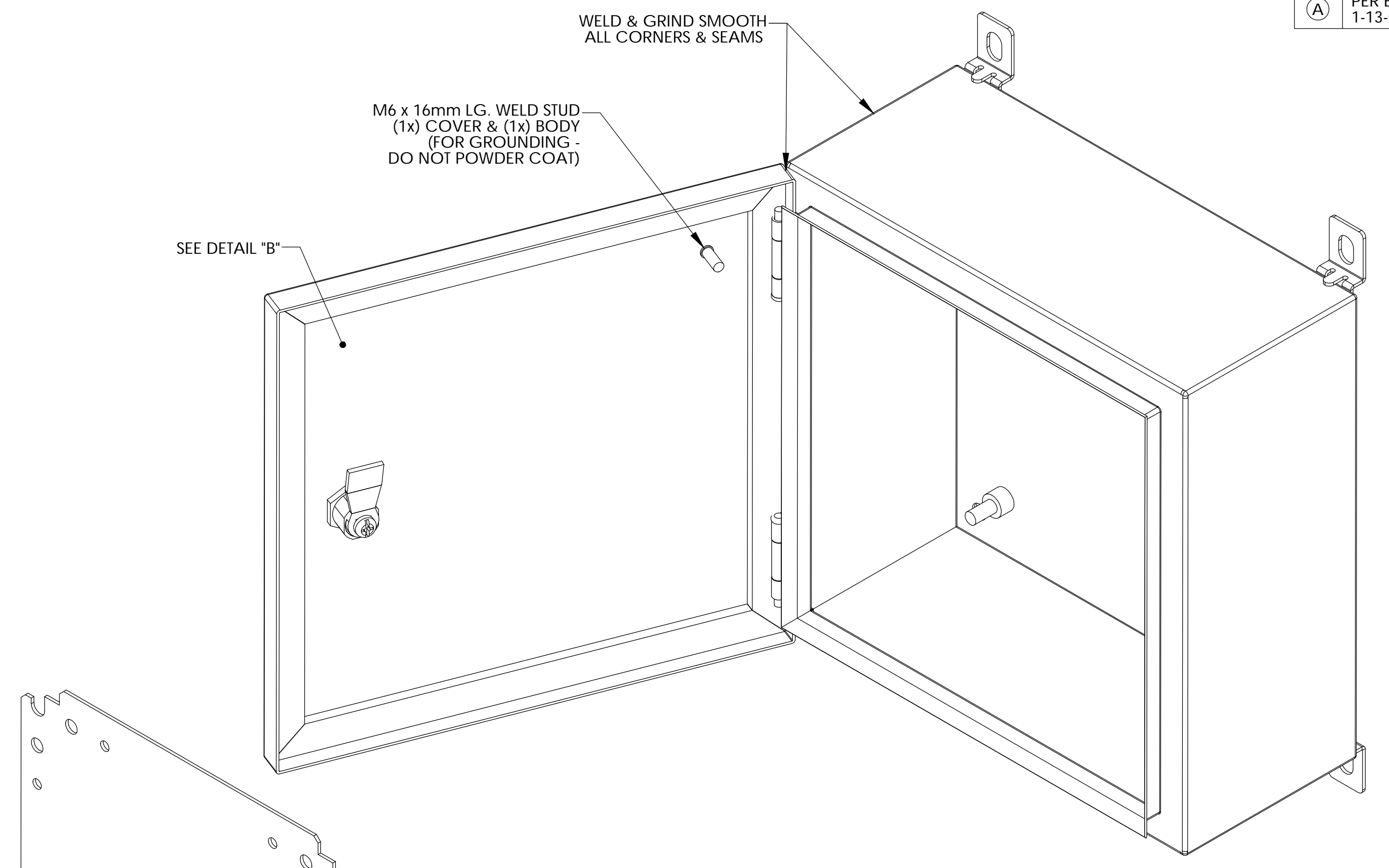
WALL MOUNTING BRACKET KIT TO CONTAIN THE FOLLOWING:
(4) BRACKETS, (4) BOLTS, (4) SEALING WASHERS, (4) FLAT WASHERS, (4) LOCKWASHERS & (4) HEX NUTS

(A) 10.35 [262.94] .437 [11.10] x .687 [17.45] OBLONG EACH BRACKET

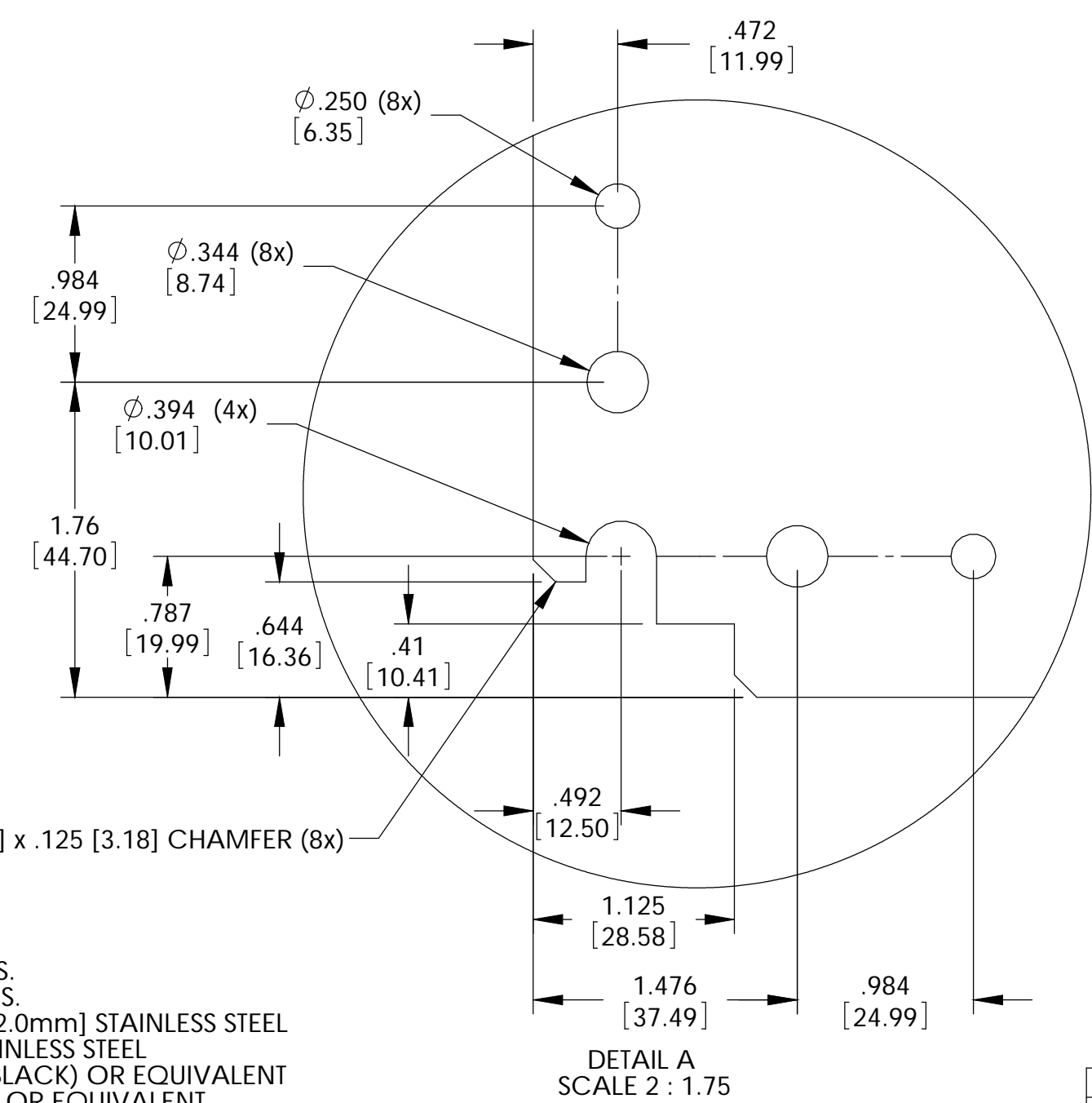


FRONT VIEW (LESS COVER)

INTERNAL PANEL DETAIL



DETAIL B SCALE 2 : 1.75



DETAIL A SCALE 2 : 1.75

MATERIAL:
 BODY & COVER - 16 GA. [1.5mm] C.R.S.
 INTERNAL PANEL - 14 GA. [2.0mm] C.R.S.
 WALL MOUNTING BRACKETS - 14 GA. [2.0mm] STAINLESS STEEL
 HINGE PINS, STRIKER & HARDWARE - STAINLESS STEEL
 GASKET - .25 [6.35] THICK NEOPRENE (BLACK) OR EQUIVALENT
 SEALING WASHERS - BLACK NEOPRENE OR EQUIVALENT

FINISH:
 BODY & COVER - LIGHT GRAY SMOOTH POWDER COAT
 INTERNAL PANEL - ZINC CHROMATE
 MOUNTING BRACKETS, HINGE PINS, STRIKER - NATURAL

PARTS LIST		BUD INDUSTRIES INC.	
UNLESS OTHERWISE SPECIFIED ALL DIMENSIONS ARE IN INCHES (DIMENSIONS IN MILLIMETERS)		NEMA SHEET METAL BOX	
TOLERANCES:	APPROVALS	DATE	
XX ±.03	DAB	9-21-07	
XXX ±.010	CHECKED		
MATERIAL	AS NOTED	APPROVED	
FINISH	AS NOTED		
QTY.	USED ON	DO NOT SCALE DRAWING	
		SCALE	D
		SIZE [DWG. NO.]	SNB-3733
		SCALE [CAD FILE]	
			REV.
			1

Mouser Electronics

Authorized Distributor

Click to View Pricing, Inventory, Delivery & Lifecycle Information:

[Bud Industries:](#)

[SNB-3733-SS](#)