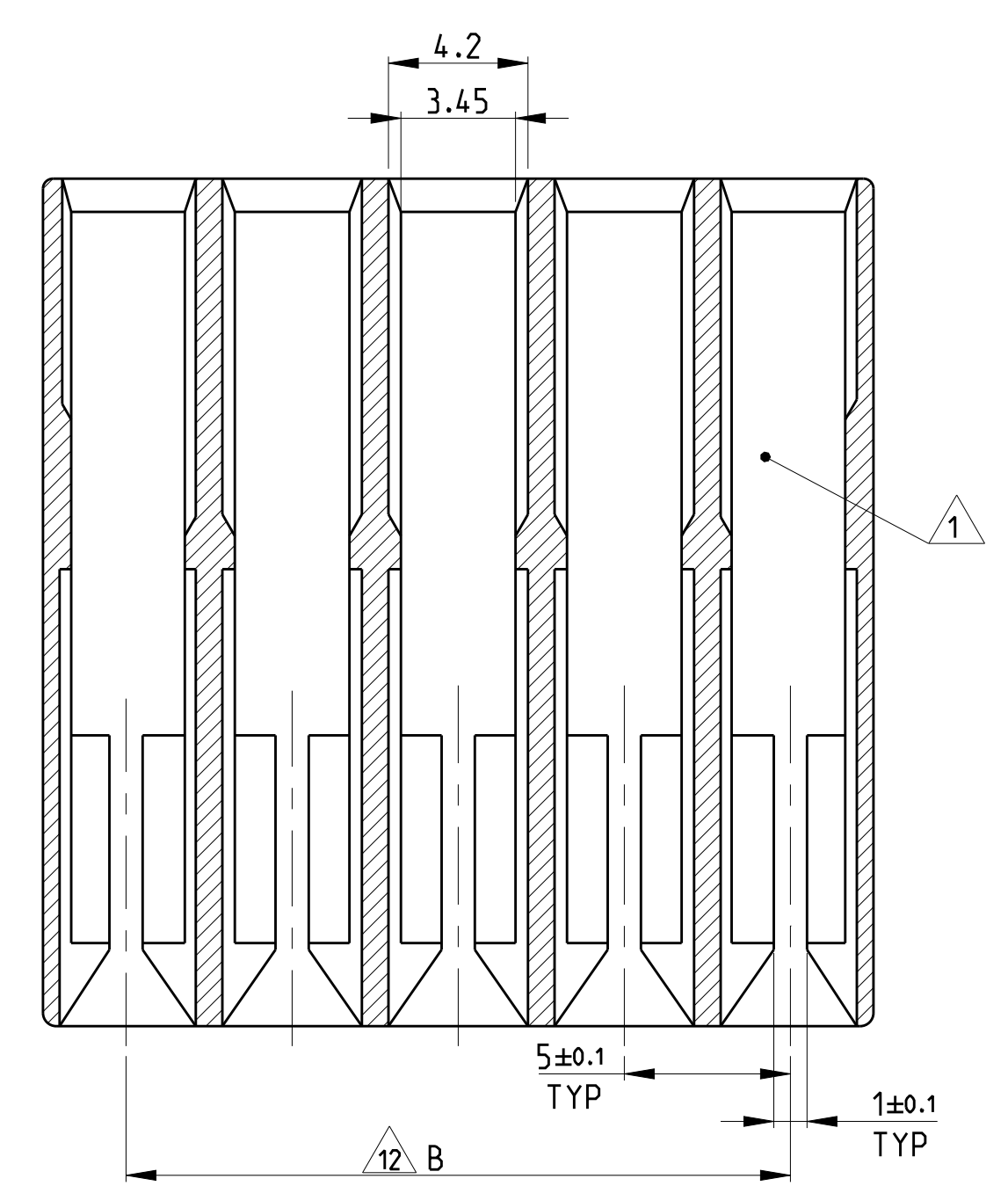
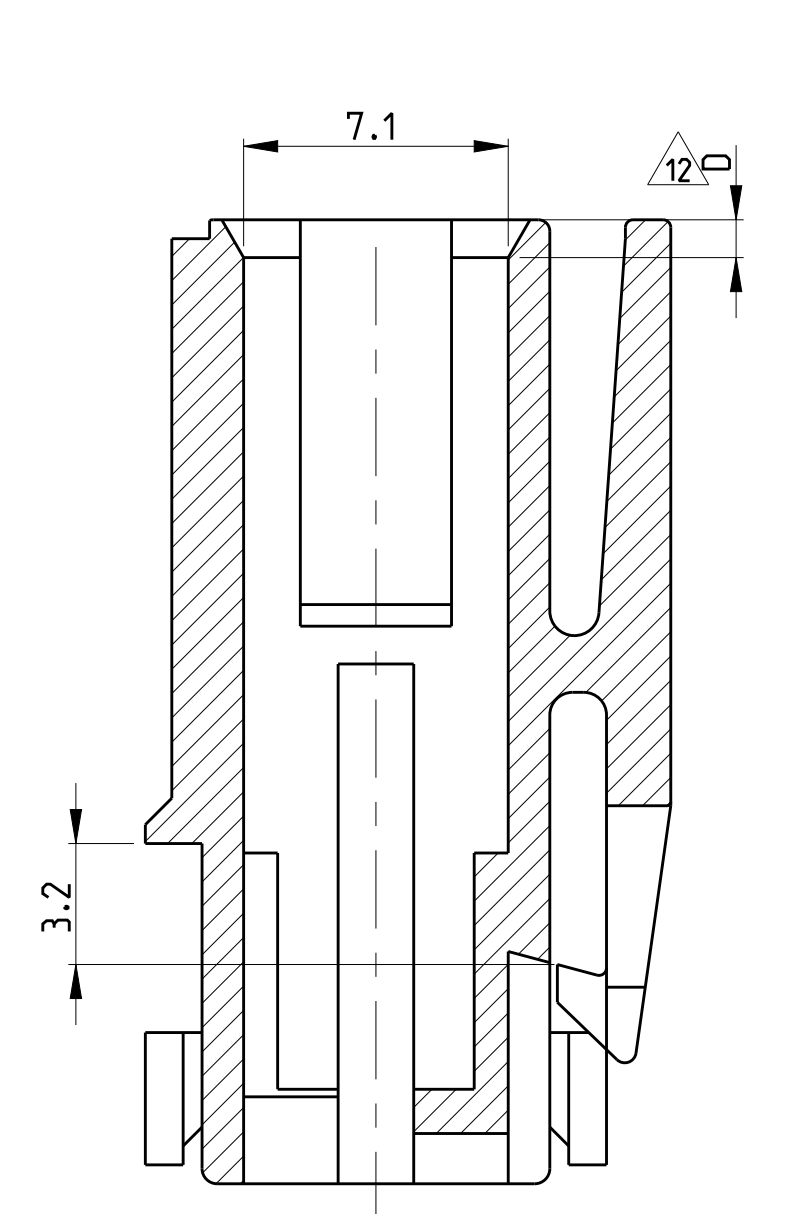
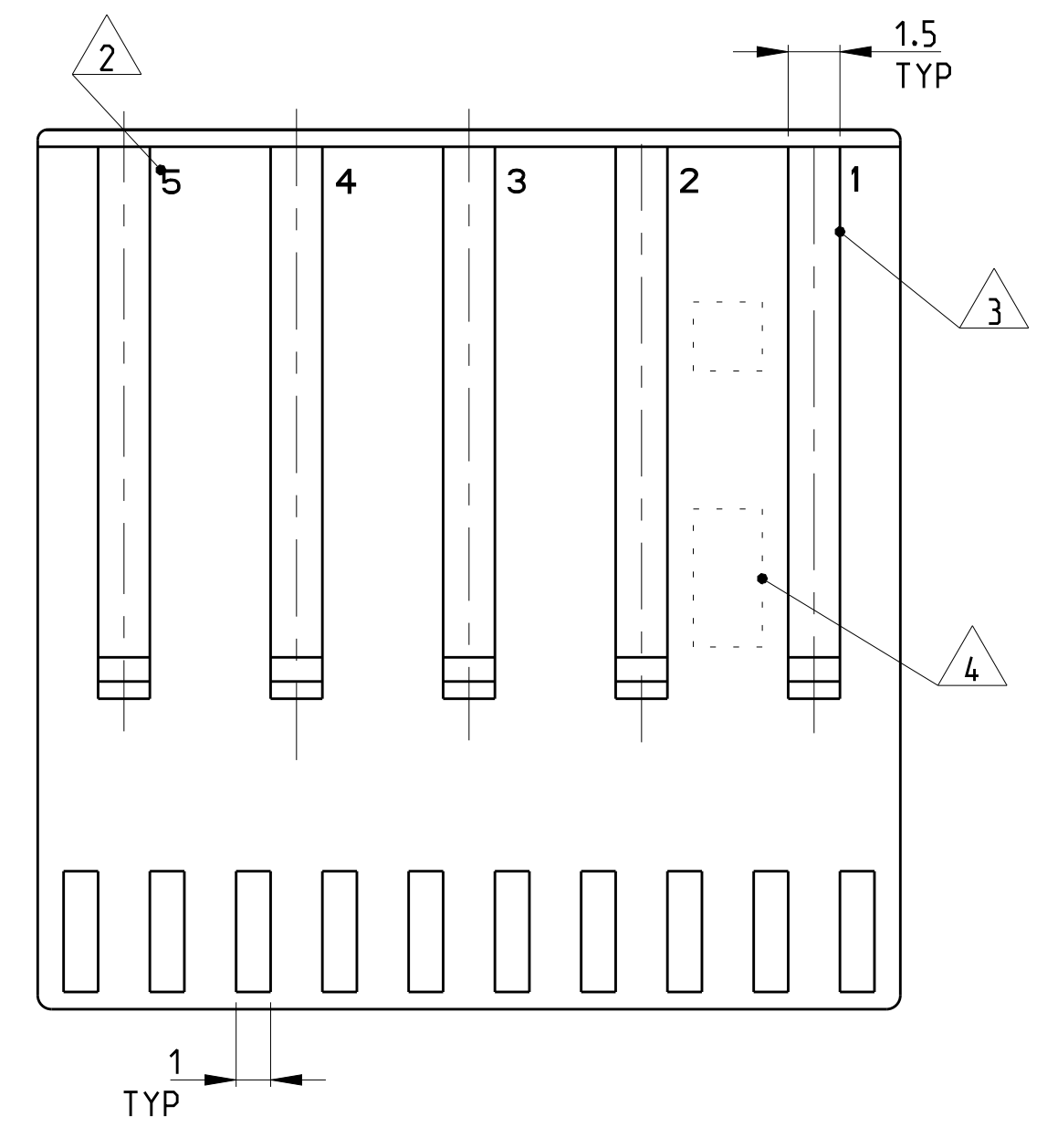
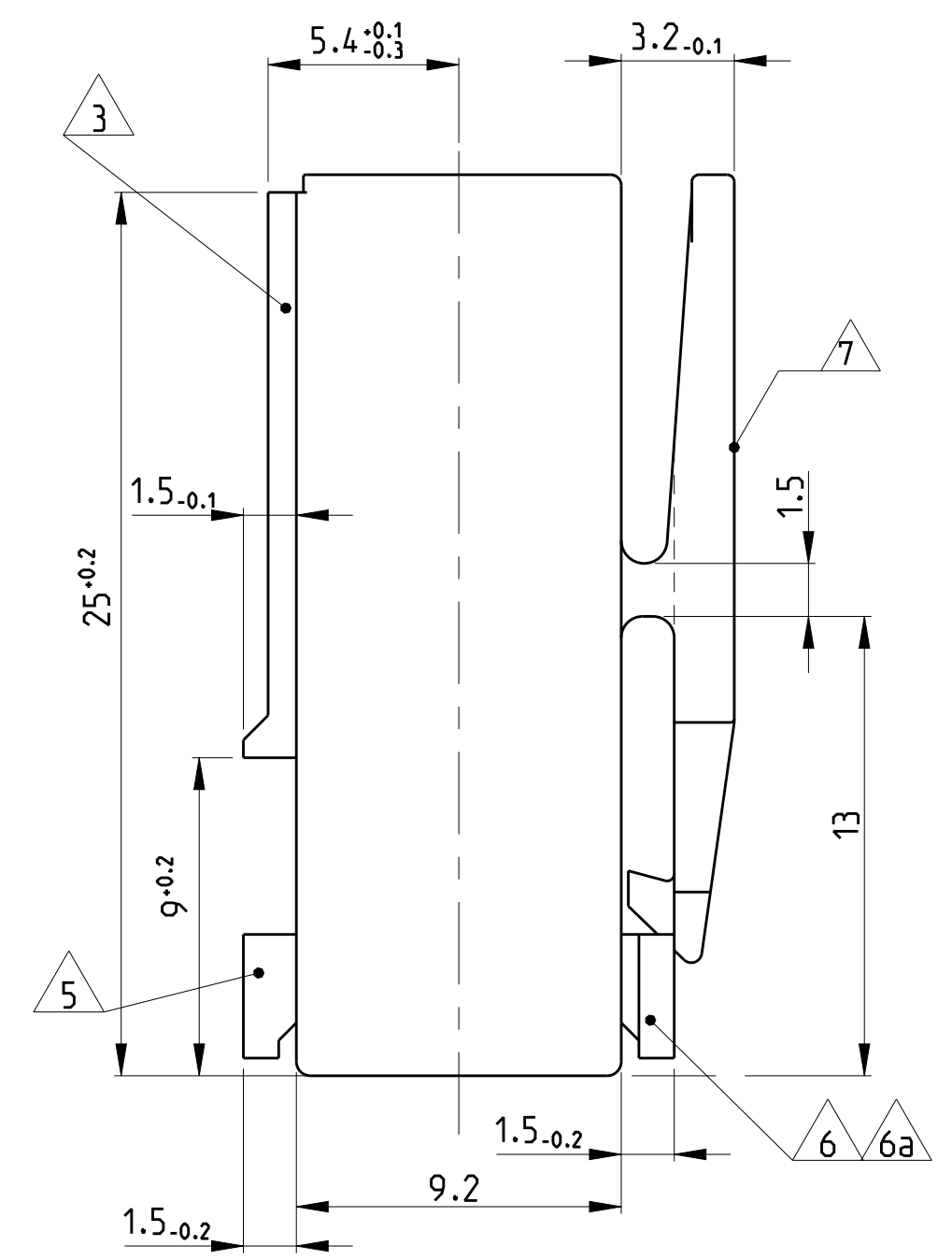
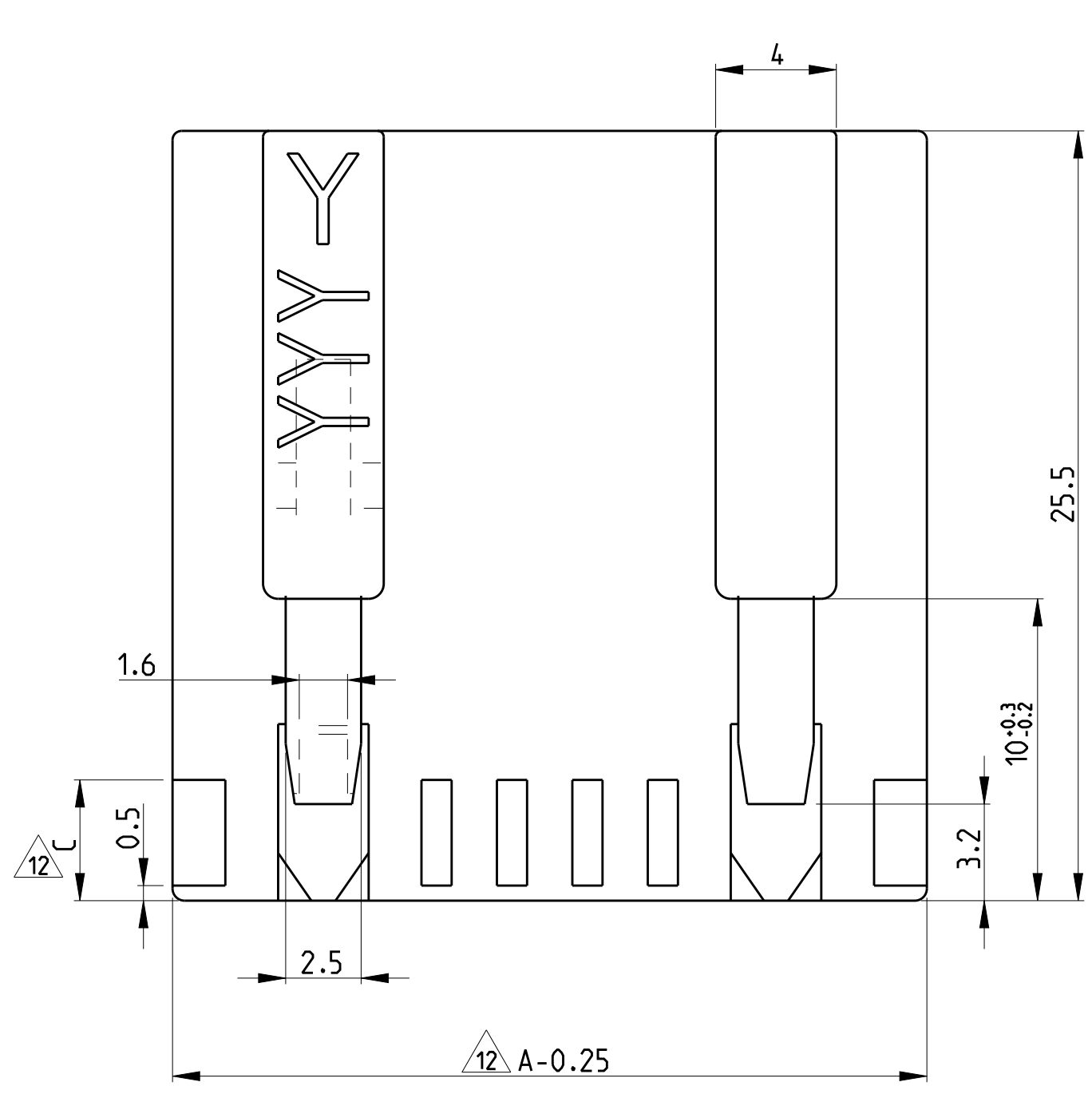
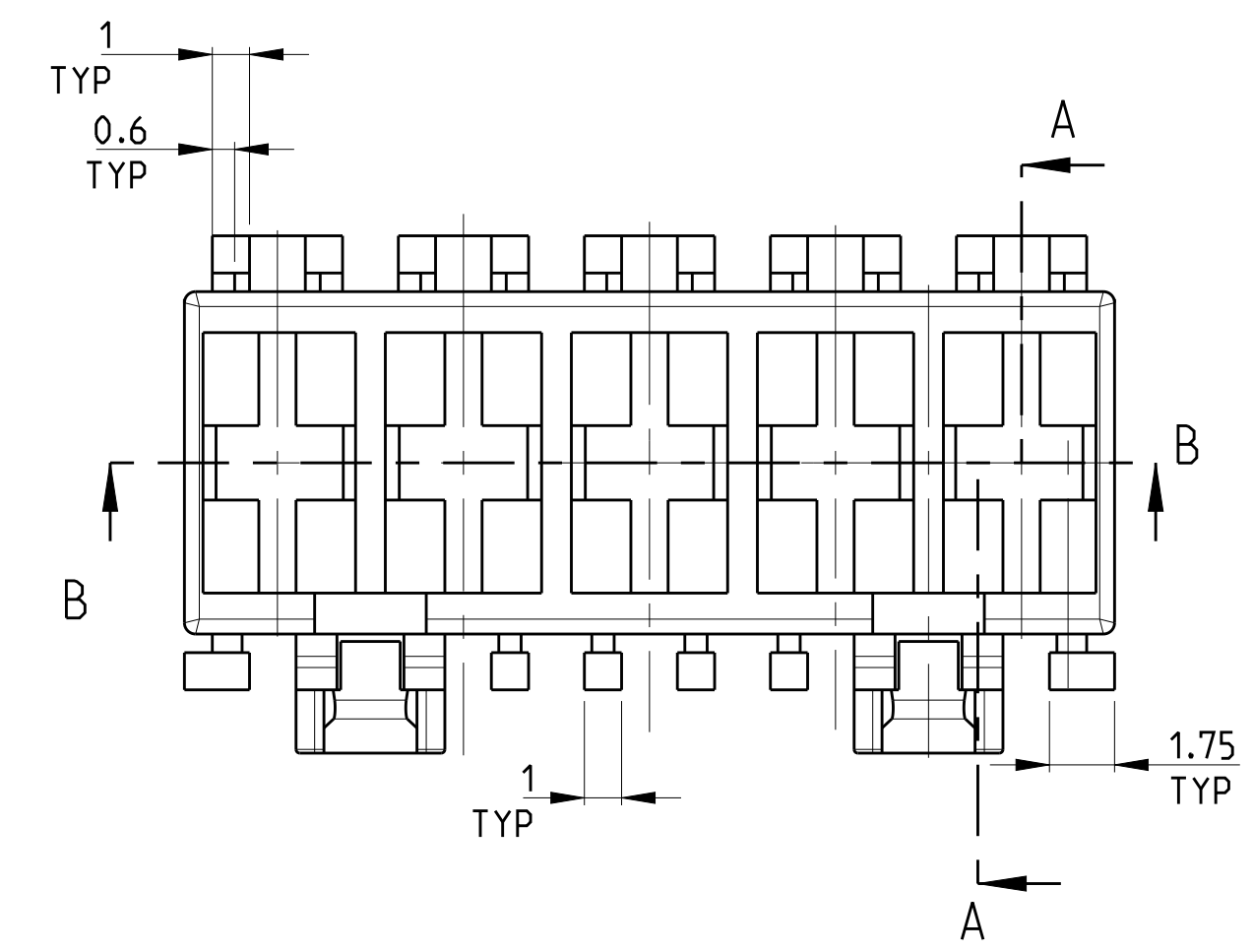
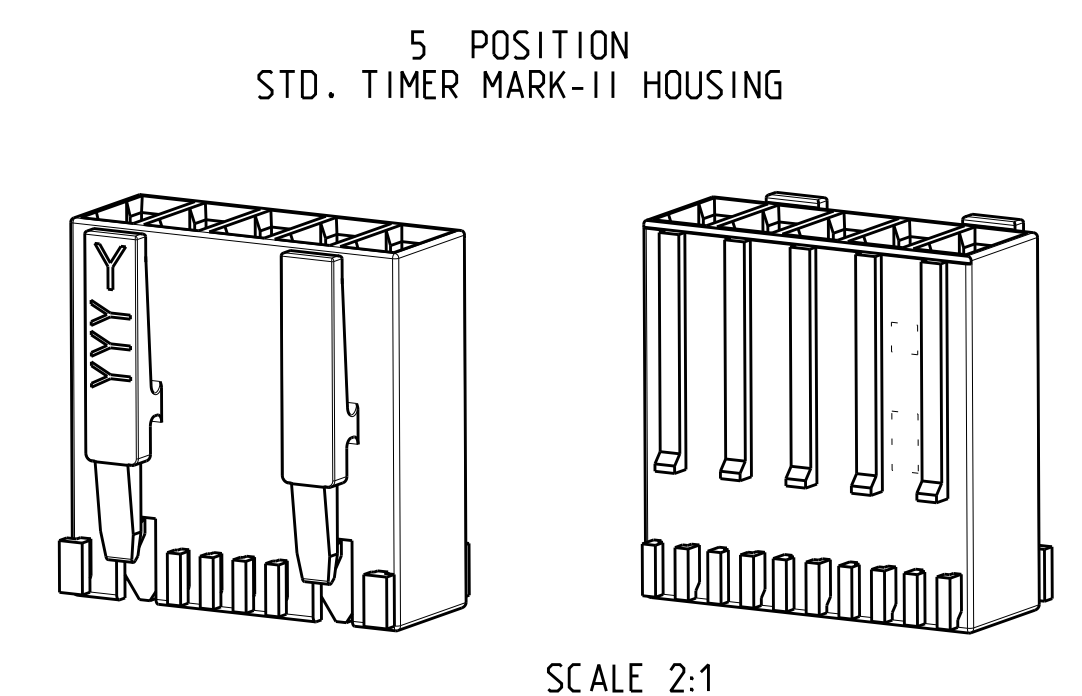


LOC	DIST	REV	DESCRIPTION	DATE	OWN	APVD
A1	-	P	LTR			
		C 38	ECR-18-000171	05JAN2018	KD	RR
		C 39	ECR-18-001281	24FEB2018	LZ	RR
		C 40	ECR-18-007974	25MAY2018	LZ	FL

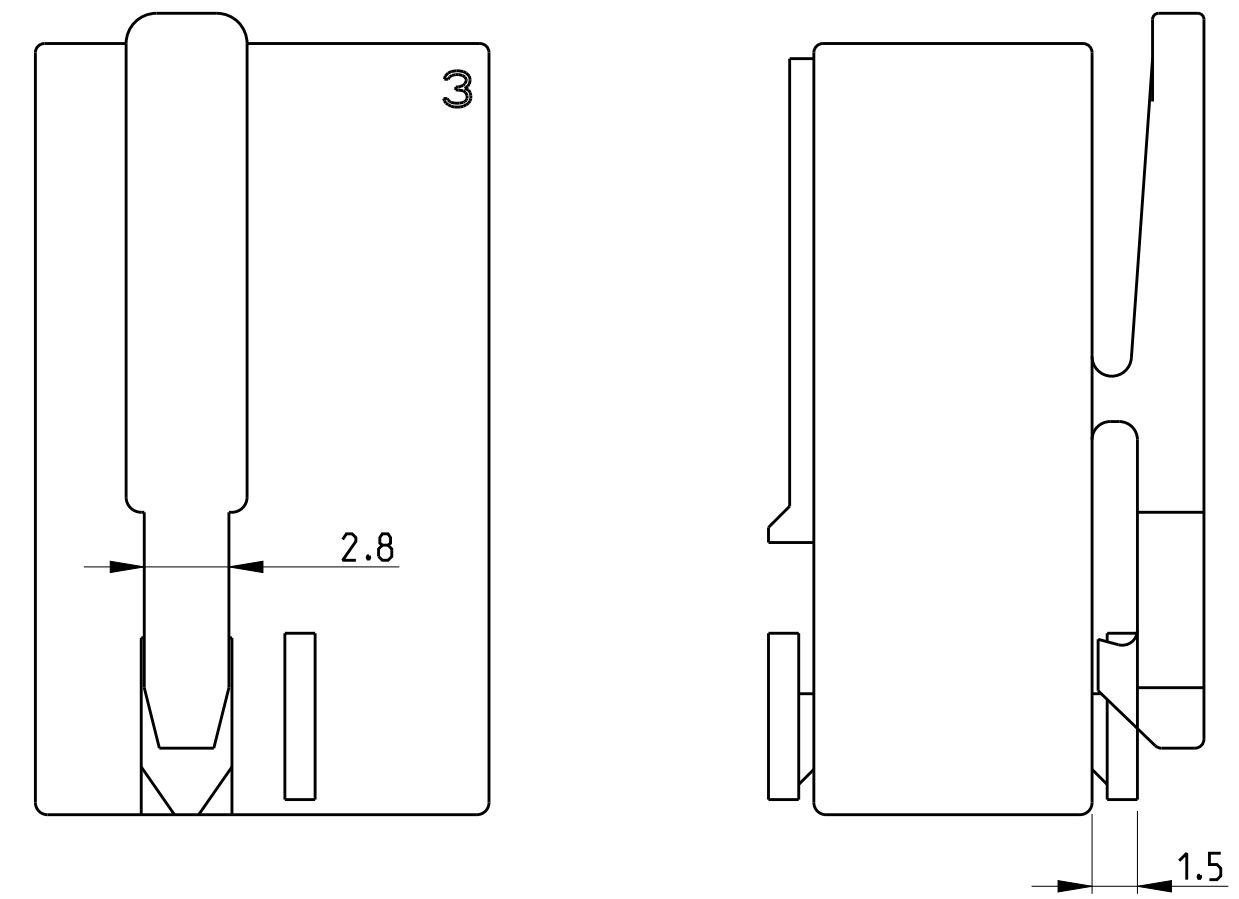


- REMARKS/Bemerkungen**
- 1 CAVITY SUITABLE FOR STANDARD TIMER CONTACTS LISTED IN PROD.SPEC. 108-18049. ITEM 3.3.2
Kammer geeignet für Standard Timer Kontakte gelistet in Prod. Spec. 108-18049. Punkt 3.3.2
 - 2 CONTACT CAVITY NO.
Kontaktkammernummerierung
 - 3 MATING STOP
Tiefenanschlag
 - 4 AREA FOR TE LOGO ACC: TO SPEC 202-36
Bereich für TE Logo nach Spec. 202-36
 - 5 POLARIZATION RIB POSITION "a" AND/OR "b"
Polarisierungsrippe Position "a" und/oder "b"
 - 6 KEYING RIB POSITION "c" AND/OR "d"
Kodierrippe Position "c" und/oder "d"
 - 6a KEYING RIB POSITION "c" AND/OR "d" AT THE END WALLS OF THE HOUSING
Kodierrippe Position "c" und/oder "d" an den Gehäusestirnseiten
 - 7 LOCKING LATCH
Rasthaken
 - 8 TE PART NO (PN)
TE Bestell Nr. (PN)
 - 9 DESIGN OF THE HOUSINGS ACC. TO RAST 5 STANDARD
Gehäuseausführung gemäss RAST 5 Vorgabe
 - 10 GENERAL SUITABLE TAB HEADER SEE RAST 5 PERFORMANCE
Generell passende Flachsteckerwannen siehe RAST 5 Vorgabe
 - 11 PACKAGING: BULK PACKAGING IN CORRUGATED BOX PN 740580-2
2 POS. 2500 PIECES PER BOX / 3 POS. 2000 PIECES PER BOX
Verpackung: Schüttgut in Versandkarton Pn 740580-2
2pol. 2500 Stück per Karton / 3pol. 2000 Stück per Karton
 - 12 DIMENSION A, B C AND D SEE SHEET 2 OF 3
 - 13 MATERIAL CORRESPONDS TO THE REQUIRMENT EN 60335
(INCL. GLOW WIRE TEST 750° WITHOUT FLAME)
Material entspricht den Anforderungen der EN 60335
(inkl. Glühdrahttest 750° ohne Flamme)
 - 14 RATIO NUMBER OF THE KEYING VERSION, INKJET PRINTED. SEE SHEET 2
Kodierungskennnummer, mit Tintenstrahldrucker aufgebracht. siehe Blatt 2
 - 15 PRELIMINARY- NOT RELEASED FOR PRODUCTION



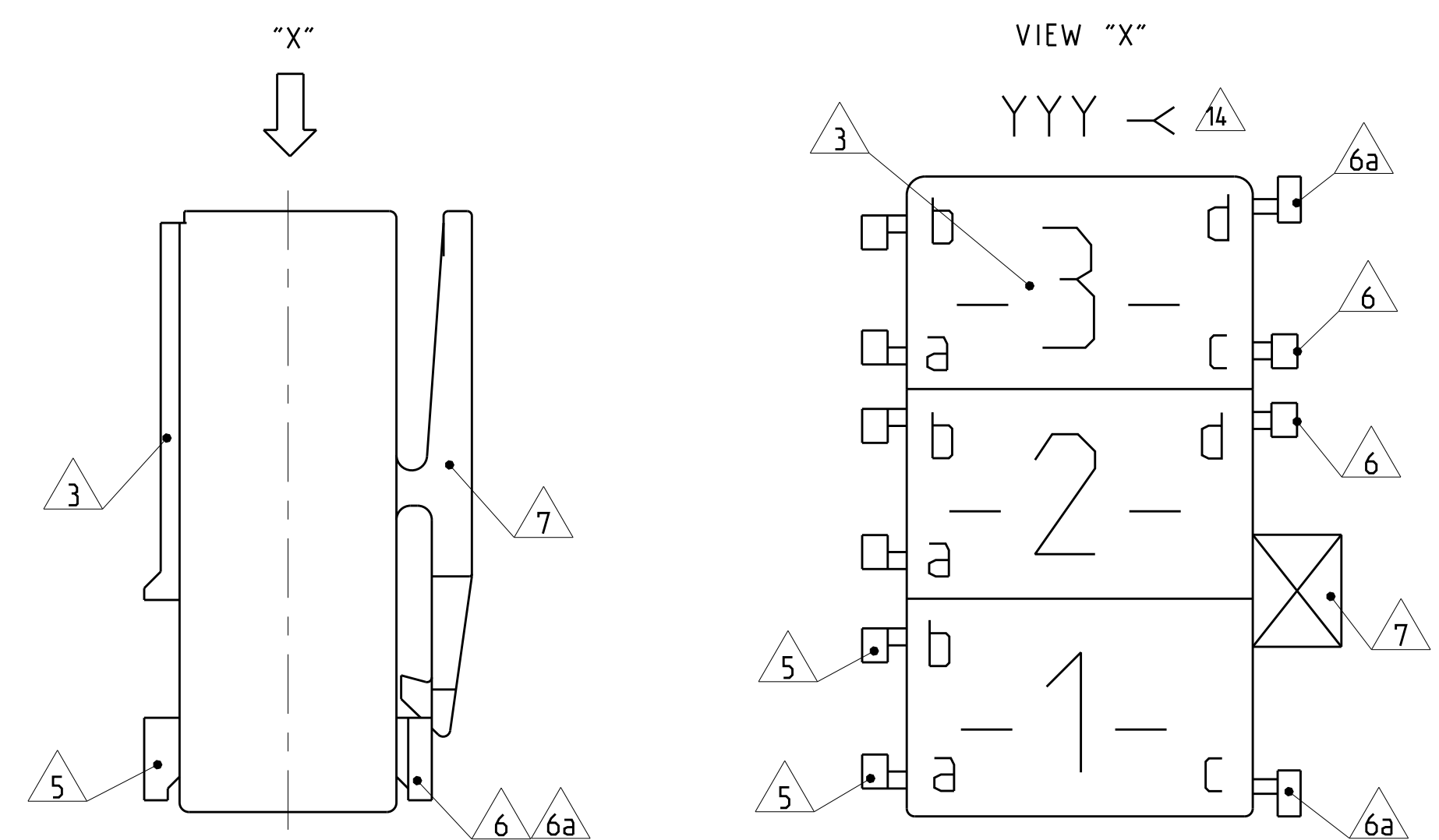
THIS DRAWING IS A CONTROLLED DOCUMENT.		DRW: Kishor M 18-10-07	TE Connectivity
DIMENSIONS: mm		CHK: K. Murtz 18-10-07	
TOLERANCES UNLESS OTHERWISE SPECIFIED:		APP: Trin Klenner 18-10-07	NAME: STANDARD TIMER HSG. RAST 5 MARK II
0 PLC ±0.2	1 PLC ±0.2	PRODUCT SPEC 108-18049	Standard Timer Gehäuse RAST 5 Mark II
2 PLC ±0.2	3 PLC ±0.2	APPLICATION SPEC	SIZE: CAGE CODE: DRAWING NO: RESTRICTED TO
4 PLC ±0.2	5 PLC ±0.2	FINISH: *	A1 00779 C=1241961
MATERIAL: SEE TABLE SHEET 2 OF 3	WEIGHT: -	Customer Drawing	SCALE: 5:1 SHEET 1 OF 3 REV: C40

ONLY 5-1241961-7, 1-1241961-9, 7-1241961-7



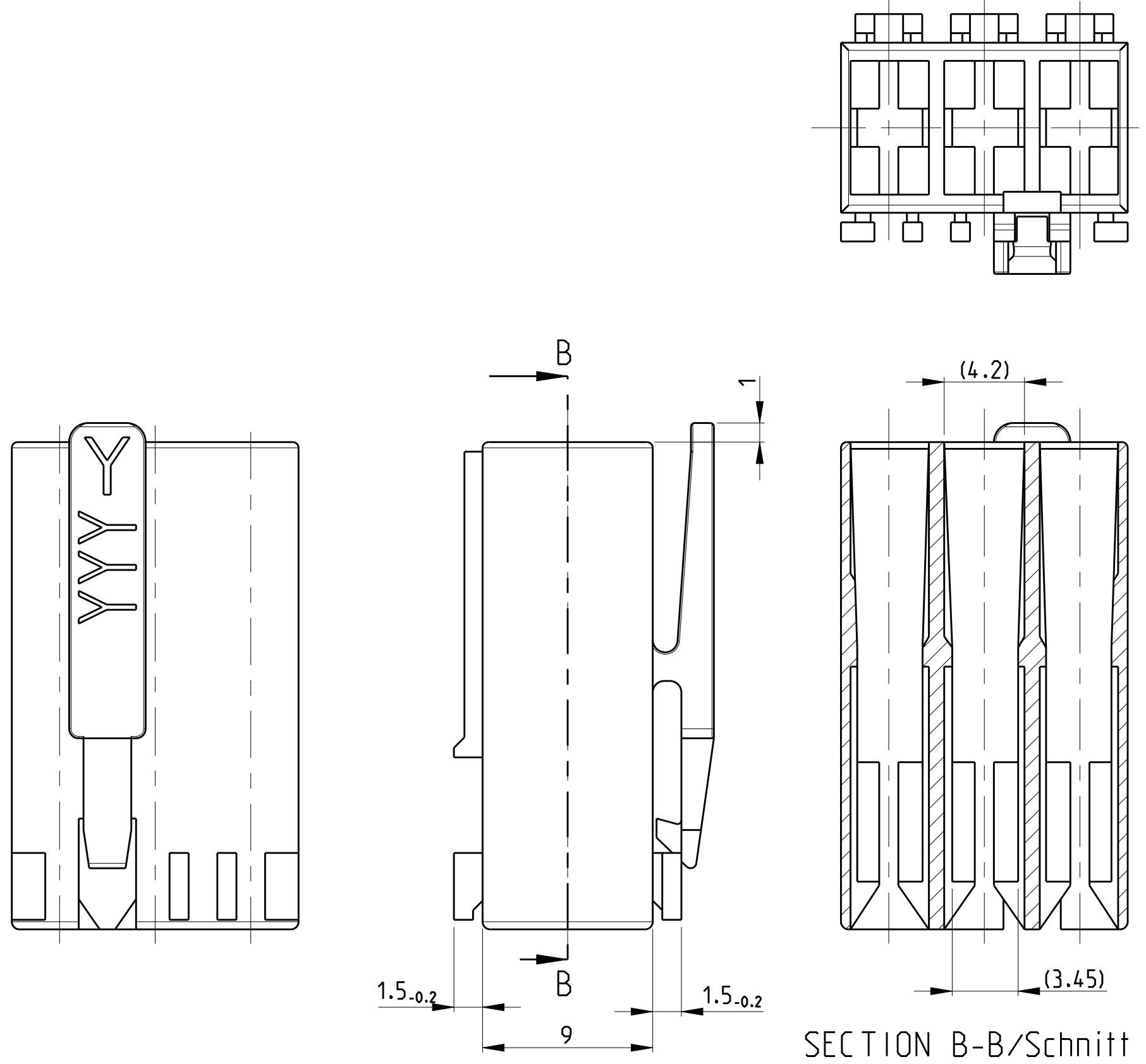
ALL OTHER DIMENSIONS SEE SHEET 1 OF 3

KEY LAYOUT DESCRIPTION



PAY ATTENTION !
DIFFERENT CAVITY GEOMETRY AND LOCKING LATCHE OVERHANG
Bitte beachten !
Unterschiedliche Kammergeometrie und Rasthakenuberstand.

FOR 2 POS. AND 3 POS.



ALL OTHER DIMENSIONS SEE SHEET 1 OF 3
Alle anderen Masse siehe Seite 1 von 3

SPECIAL VERSION: UL94 VO & GWT 750 NF & CTI 350								
5-1241961-7	3			15	10	PA66	NATURAL	A
1-1241961-9	3	6	1	15	10		NATURAL	A
7-1241961-7	3			15	10		NATURAL	A

SPECIAL VERSION: UL94 VO & GWT 750 NF								
2322164-1	4	4	0.5	20	15	PA66	NATURAL	1

SPECIAL VERSION: UL94 V2 & GWT 750 NF								
6-2178575-7	3	4	0.5	15	10	PA6 GF15	NATURAL	A

SPECIAL VERSION: UL94 VO & GWT 750 NF								
3-2178412-7	3			15	10	PA66	NATURAL	1
4-2178412-7	3	6	1	15	10		NATURAL	1
8-2178412-2	2			10	5		NATURAL	1

UL94 VO & GWT 750 NF								
2322917-4	4	4	0.5	20	15	PA66	NATURAL	C
2322917-2	2			10	5		NATURAL	1
2315717-1	2			10	5		NATURAL	C
2315717-2	2			10	5		NATURAL	C
2315717-3	2			10	5		NATURAL	C
2315717-4	4	4	0.5	20	15		NATURAL	C
2315717-5	4			20	15		NATURAL	C
2315717-6	3			15	10	NATURAL	C	
2315717-7	3			15	10	NATURAL	C	
PART NO.	POS.	DIM C	DIM D	DIM A	DIM B	MATERIAL	COLOUR	REV.

SPECIAL MATERIAL								
1955507-4	4			20	15	PA66	NATURAL	1
9-1955506-2	2	6	1	10	5	UL 94 VO	NATURAL	1

6-1241961-7	3			15	10	PA 6 UL94V-2	NATURAL	1
4-1241961-7	3			15	10	PA 6 UL94V-2	NATURAL	A
3-1241961-7	3	4	0.5	15	10	PA 6 UL94V-2	NATURAL	A
1-1955422-7	3			15	10	PA 66 UNFILLED UL94 VO	NATURAL	A
5-1955422-7	3			15	10	PA 66 UNFILLED UL94 VO	NATURAL	A
4-1955422-3	2	6	1	10	5	PA 66 UNFILLED UL94 VO	NATURAL	A
2-1241817-3	3	4 or 6	0.5 or 1	15	10	PA 66 UL94 V-2	Green	E
0-1955422-6	3			15	10	PA 66 UNFILLED UL94 VO	NATURAL	A
8-1241961-8	3			15	10			C
0-1241961-8	3			15	10	PA 6 UL94V-2	natural	A
8-1241961-3	2	4	0.5	10	5			C
3-1241961-1	2			10	5	PA 6 UL94V-2	NATURAL	C
0-1955422-1	2			10	5	PA 66 UNFILLED UL94 VO	NATURAL	A
PART NO	POS	DIM C	DIM D	DIM A	DIM B	MATERIAL	COLOUR Farbe	REV./Rev.

SEE SHEET-01									
0-1241959-5	5			25	20	PA 6 UL94V-2	Natural/natur	B	
4-1241959-4	4	4	0.5	20	15		Natural/natur	A	
2-1241959-4	4			20	15		Natural/natur	B	
2-1241817-5	5	6	1	25	20	PA 6.6 UL94V-2	Natural/natur	C	
0-1241817-5	4	0.5		25	20		Black/schwarz		
3-1241817-4	4			20	15		Violet/violett		
2-1241817-4	4	6	1	20	15		Grey/grau		
0-1241817-4	4	4	0.5	20	15	Natural/natur			
2-1241983-2				10	5	PA 6 UL94V-2	Green/grün	C	
1-1241983-2				10	5		Violet/violett		
0-1241983-2	2	4	0.5	10	5		TARGET RAL 4001		
8-1241983-2				10	5		Yellow/gelb		
5-1241983-3				10	5		Black/schwarz		
6-1241983-2				10	5		Blue/blau		
9-1241961-7		4	0.5	15	10	PA 6 UL94V-2	Natural/natur	C	
9-1241961-8		4	0.5	15	10				
6-1241961-8		4	0.5 or 1	15	10				
5-1241961-8		4 or 6	0.5 or 1	15	10				
4-1241961-8		4	0.5	15	10				
7-1241961-8		4	0.5	15	10				
1-1241961-8		4 or 6	0.5 or 1	15	10				
3-1241961-8		6	1	15	10				
2-1241961-8				15	10				
2-1241961-7				15	10				
1-1241961-7		4	0.5	15	10				
9-1241961-9				15	10				
0-1241961-6				15	10				
2-1241961-2				10	5				
5-1241961-2				10	5				
4-1241961-3				10	5				
7-1241961-2				10	5				
7-1241961-3				10	5				
6-1241961-3				10	5				
3-1241961-2				10	5				
5-1241961-3				10	5				
6-1241961-2				10	5				
0-1241961-3				10	5				
8-1241961-2				10	5				
9-1241961-2				10	5				
0-1241961-1				10	5				
9-969484-9	3	6	1	15	10	PA 6.6 UL94V-2	Yellow/gelb		
2-969484-8				15	10	PA 6.6 UL94V-2	Natural/natur	H	
0-969484-8				15	10				
9-969484-7		4 or 6	0.5 or 1	15	10				
8-969484-7		4	0.5	15	10				
7-969484-7				15	10				
6-969484-7				15	10				
5-969484-7		4	0.5	15	10				
4-969484-7				15	10				
3-969484-7		4	0.5	15	10				
2-969484-7		4	0.5	15	10				
1-969484-7	3	4	0.5	15	10				
0-969484-7				15	10				
9-969484-6				15	10				
8-969484-6		6	1	15	10				
7-969484-6				15	10				
6-969484-6				15	10				
5-969484-6				15	10				
4-969484-6				15	10				
3-969484-6				15	10				
2-969484-6		6	1	15	10				
1-969484-6				15	10				
0-969484-6				15	10				
7-969484-3				10	5				
6-969484-3				10	5				
5-969484-3				10	5				
4-969484-3		4	0.5	10	5				
3-969484-3				10	5				
2-969484-3				10	5				
1-969484-3				10	5				
0-969484-3				10	5				
9-969484-2				10	5				
8-969484-2				10	5				
7-969484-2				10	5				
6-969484-2				10	5				
5-969484-2				10	5				
4-969484-2				10	5				
3-969484-2				10	5				
2-969484-2				10	5				
1-969484-2				10	5				
0-969484-2				10	5				
9-969484-1				10	5				
8-969484-1				10	5				
7-969484-1				10	5				
6-969484-1				10	5				
5-969484-1				10	5				
4-969484-1				10	5				
3-969484-1				10	5				
2-969484-1				10	5				
1-969484-1				10	5				
0-969484-1				10	5				
PART NO	POS.	DIM C	DIM D	DIM A	DIM B	MATERIAL	COLOUR	REV	

THIS DRAWING IS A CONTROLLED DOCUMENT. DWG: Kishor M 18-10-07, CHK: K. Murzi 18-10-07, APVD: T.K. Klenner 18-10-07

STE TE Connectivity

STANDARD TIMER HSG. RAST 5 MARK II
Standard Timer Gehäuse RAST 5 Mark II

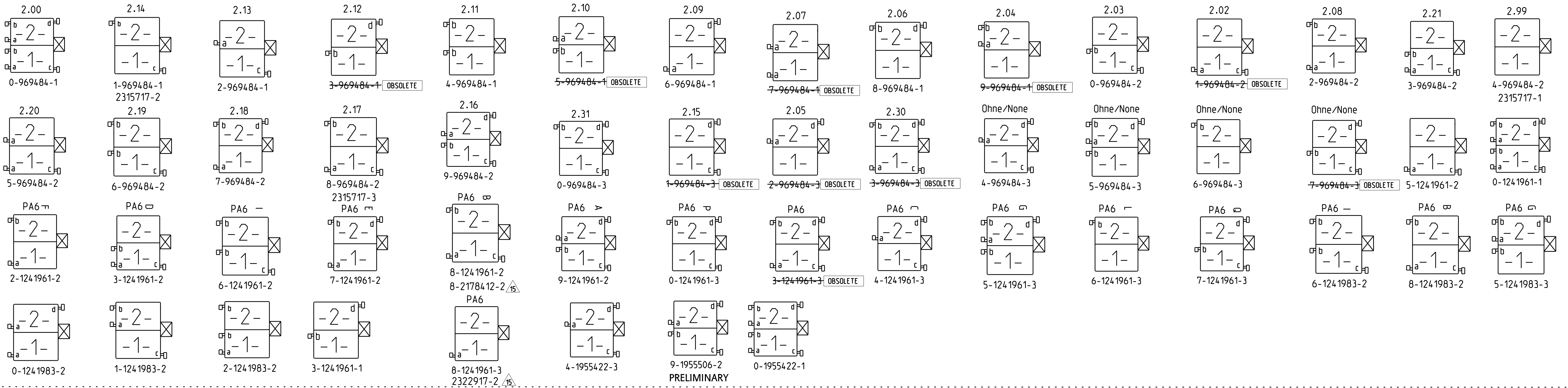
SIZE: A1, CAGE CODE: 00779, DRAWING NO: 108-18049, REV: 2 OF 3

MATERIAL: SEE TABLE, SHEET 2 OF 3

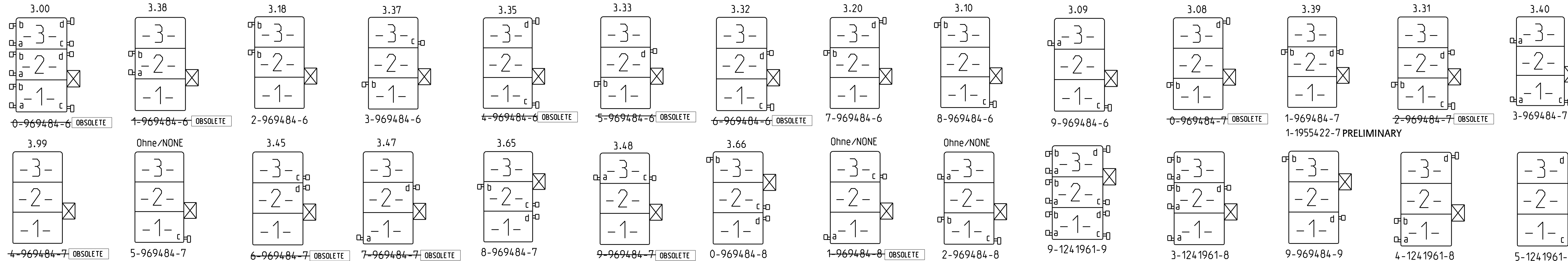
Customer Drawing, SCALE: 5:1, SHEET 2 OF 3, REV: 40

LOC	DIST	REVISIONS		
P	LYR	DESCRIPTION	DATE	DWN
		SEE SHEET-01		

2 POSITION VARIANTS

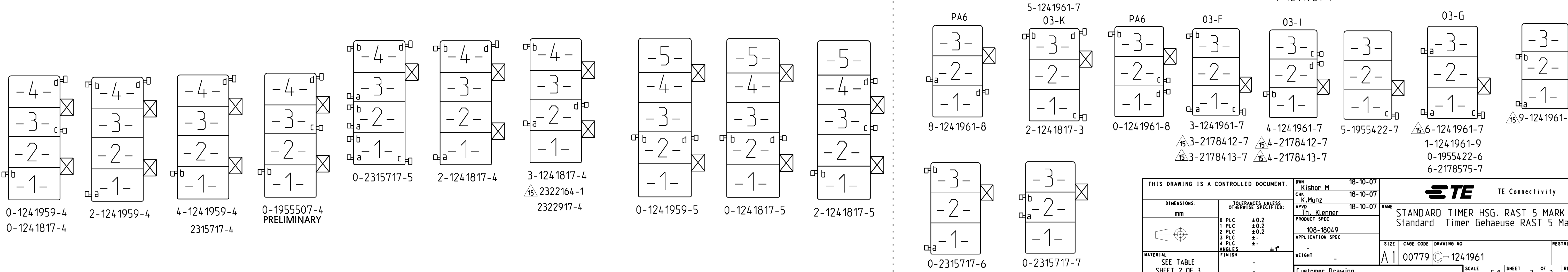


3 POSITION VARIANTS



4 POSITION VARIANTS

5 POSITION VARIANTS



THIS DRAWING IS A CONTROLLED DOCUMENT.		DWN: Kishor M. 18-10-07	 TE Connectivity
DIMENSIONS: mm		CHK: K. Muriz 18-10-07	
TOLERANCES UNLESS OTHERWISE SPECIFIED:		APVD: T.K. Klenner 18-10-07	
0 PLC ±0.2 1 PLC ±0.2 2 PLC ±0.2 3 PLC ±0.2 4 PLC ±0.2 5 PLC ±0.2 ANGLES ±° FINISH ±*		NAME: STANDARD TIMER HSG. RAST 5 MARK II Standard Timer Gehäuse RAST 5 Mark II	RESTRICTED TO
MATERIAL: SEE TABLE		WEIGHT: -	SIZE: A1
SHEET 2 OF 3		Customer Drawing	SCALE: 5:1
			SHEET 3 OF 3
			REV: C40

Mouser Electronics

Authorized Distributor

Click to View Pricing, Inventory, Delivery & Lifecycle Information:

[TE Connectivity:](#)

[9-1241961-2](#)