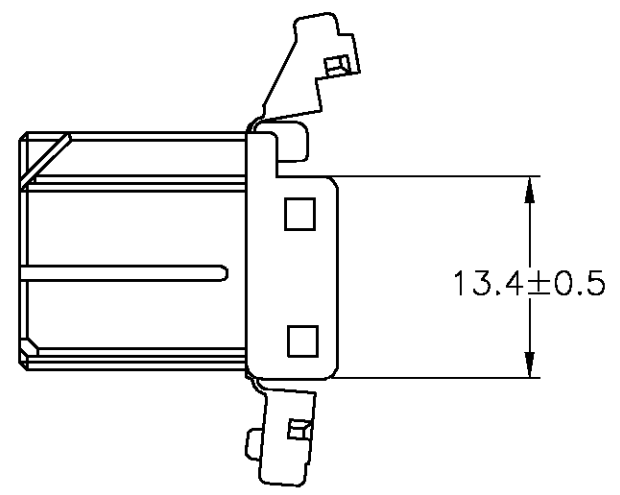
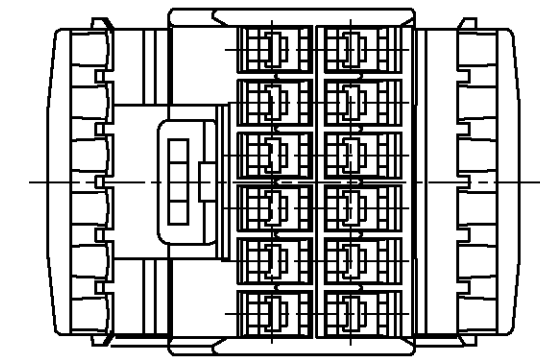
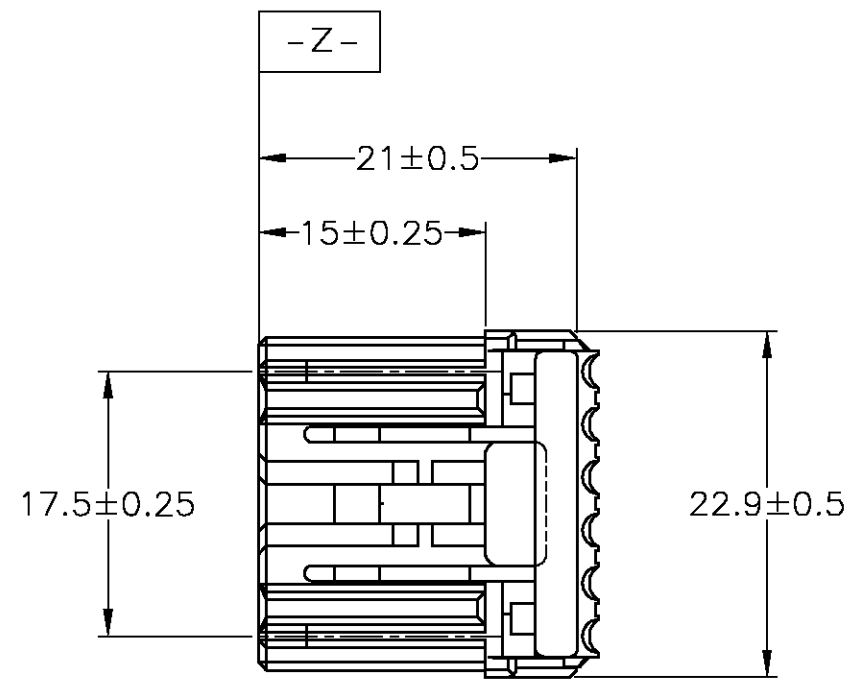
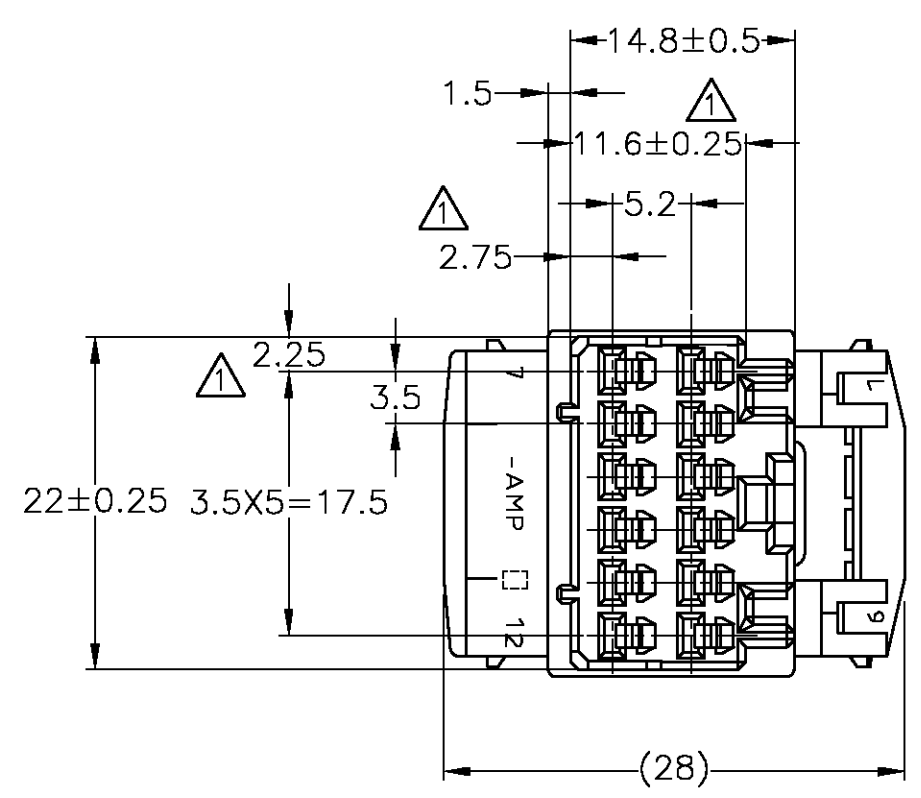


THIS DRAWING IS UNPUBLISHED. RELEASED FOR PUBLICATION  
 © COPYRIGHT BY TYCO ELECTRONICS CORPORATION. ALL RIGHTS RESERVED.

LOC	DIST	REVISIONS					
J	-	P	LTR	DESCRIPTION	DATE	DWN	APVD
		B		REDRAWN W/CHANGE FJA0-0046-04	12FEB2004	Y.S	Y.F



- 1. MUST BE KEPT BETWEEN **-Z-** AND 2mm.
- 2. THE MATING CAP HSG PART NUMBER; 175444, 175448
- 3. APPLIED CONTACT PART NUMBER; 173630, 173631

- 1. **-Z-** 面より 2mm の範囲で測定。
- 2. 嵌合相手ハウジング型番; 175444, 175448
- 3. 内装するコンタクト型番; 173630, 173631

ORANGE	917635-8
GRAY	917635-6
BLUE	917635-1
COLOR	PART NUMBER

THIS DRAWING IS A CONTROLLED DOCUMENT.		DWN	Y.SAKURAI	12FEB2004	Tyco Electronics AMP K.K. Kawasaki, Japan
DIMENSIONS: 単位: 耗 MM		CHK	E.TAKIZAWA	12FEB2004	
TOLERANCES UNLESS OTHERWISE SPECIFIED: 一般公差 0-PLC ± 1-PLC ± ± 0.2 2-PLC ± ± 3° 3-PLC ± ± 4-PLC ± ± ANGLES ±		APVD	Y.FUJIWARA	12FEB2004	
MATERIAL 材料 PBT		FINISH 仕上		PRODUCT SPEC 製品規格 108-5280	NAME 名称 12POSITION PLUG HOUSING 040 / 070 SERIES HYBRID I/O CONNECTOR
		WEIGHT 4.5g		APPLICATION SPEC 取付適用規格	SIZE A3
		CUSTOMER DRAWING		SCALE 尺度 2:1	CAGE CODE 00779
				DRAWING NO 番号 C-917635	RESTRICTED TO -
				SHEET 1 OF 1	REV B

# Mouser Electronics

Authorized Distributor

Click to View Pricing, Inventory, Delivery & Lifecycle Information:

[TE Connectivity:](#)

[917635-8](#)