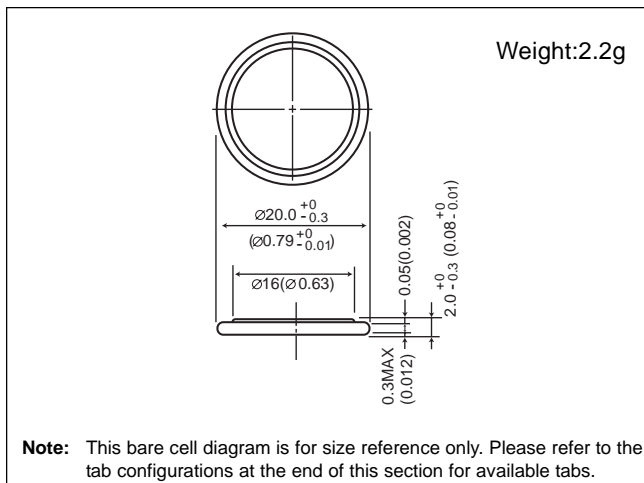


Vanadium Pentoxide Lithium Coin Batteries (VL Series): Individual Specifications

VL2020

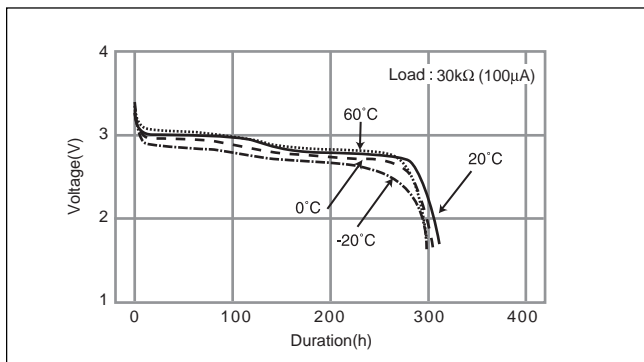
■ Dimensions(mm)



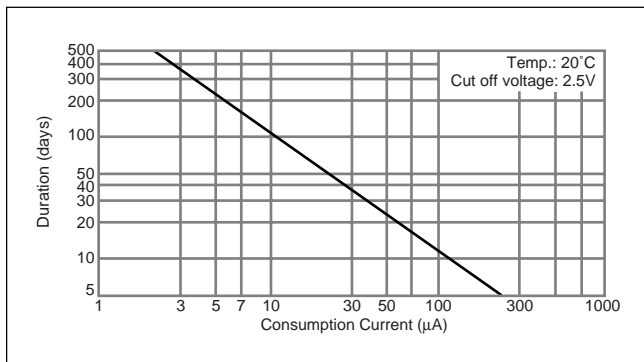
■ Specification

Nominal voltage (V)	3
Nominal capacity (mAh)	20.0
Continuous standard load (mA)	0.07
Operating temperature (C)	-20 ~ +60

■ Discharge Temperature Characteristics

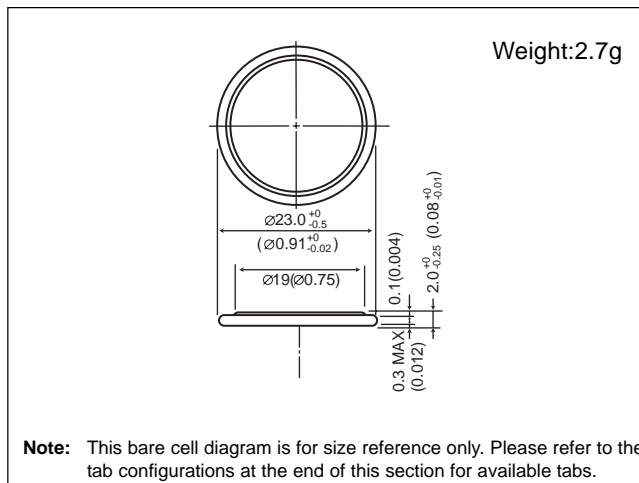


■ Consumption current vs. Duration time



VL2320

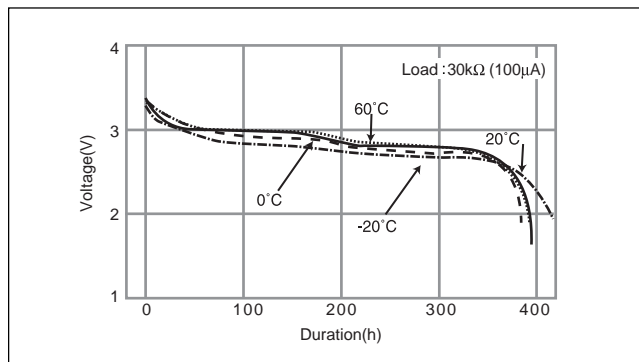
■ Dimensions(mm)



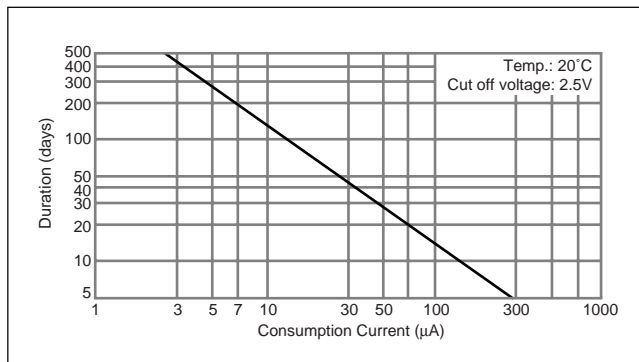
■ Specification

Nominal voltage (V)	3
Nominal capacity (mAh)	30.0
Continuous standard load (mA)	0.1
Operating temperature (C)	-20 ~ +60

■ Discharge Temperature Characteristics



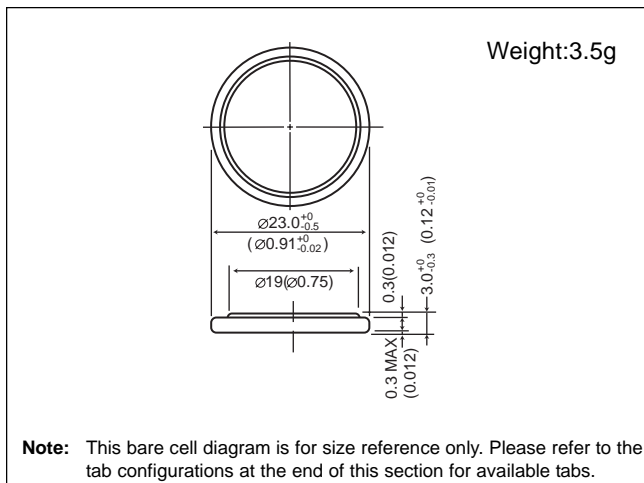
■ Consumption current vs. Duration time



Vanadium Pentoxide Lithium Coin Batteries (VL Series): Individual Specifications

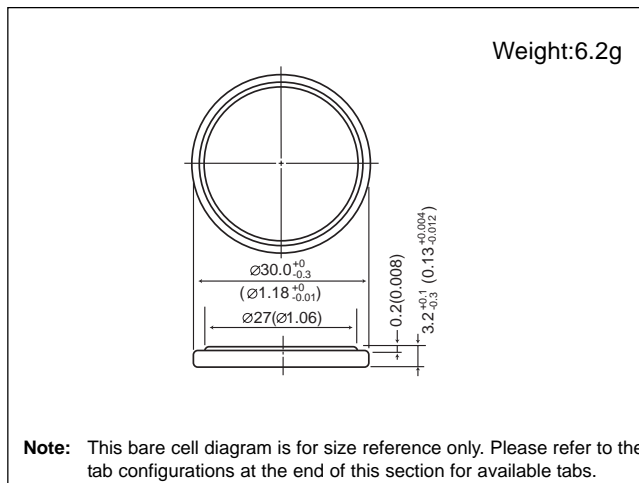
VL2330

■ Dimensions(mm)



VL3032

■ Dimensions(mm)



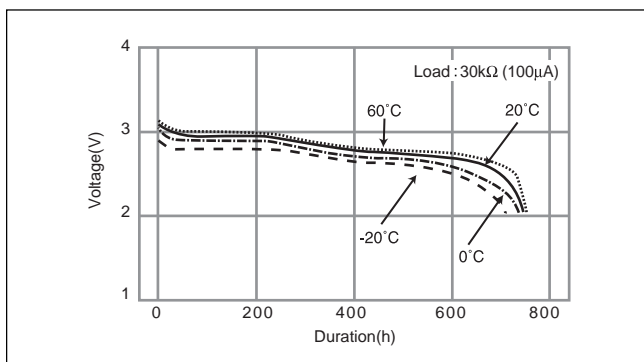
■ Specification

Nominal voltage (V)	3
Nominal capacity (mAh)	50.0
Continuous standard load (mA)	0.1
Operating temperature (C)	-20 ~ +60

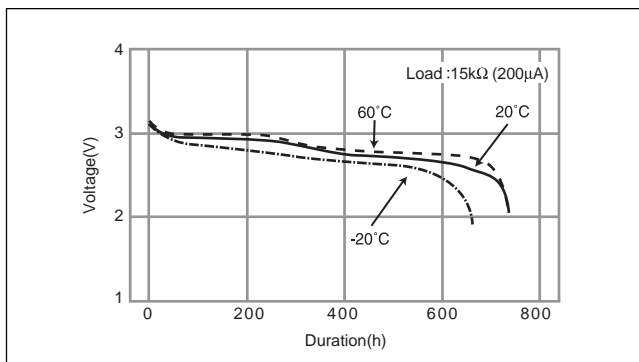
■ Specification

Nominal voltage (V)	3
Nominal capacity (mAh)	100.0
Continuous standard load (mA)	0.2
Operating temperature (C)	-20 ~ +60

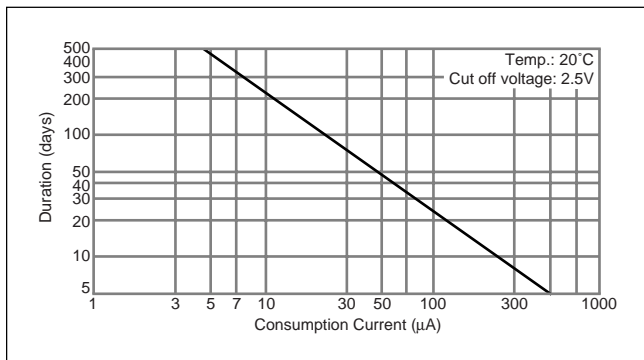
■ Discharge Temperature Characteristics



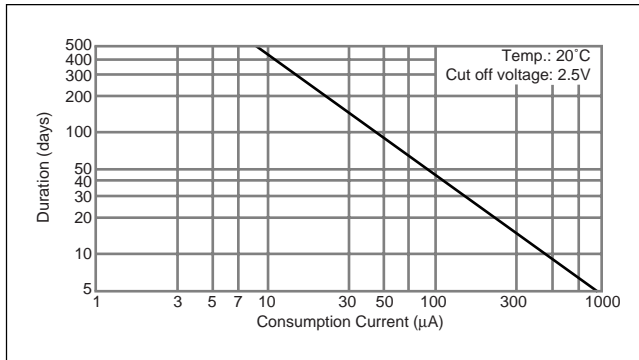
■ Discharge Temperature Characteristics



■ Consumption current vs. Duration time



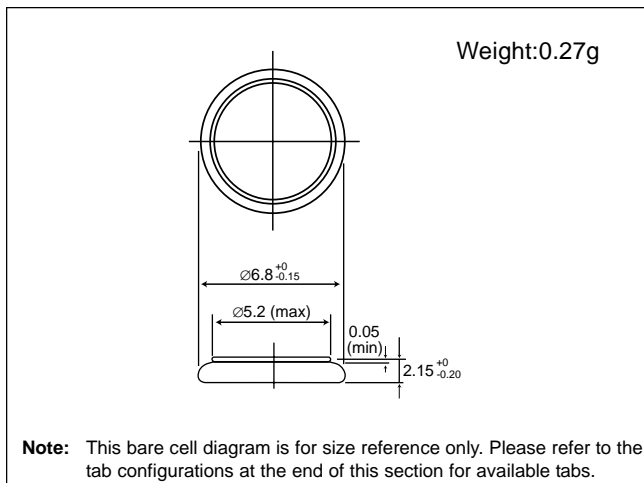
■ Consumption current vs. Duration time



Vanadium Pentoxide Lithium Coin Batteries (VL Series): Individual Specifications

VL621

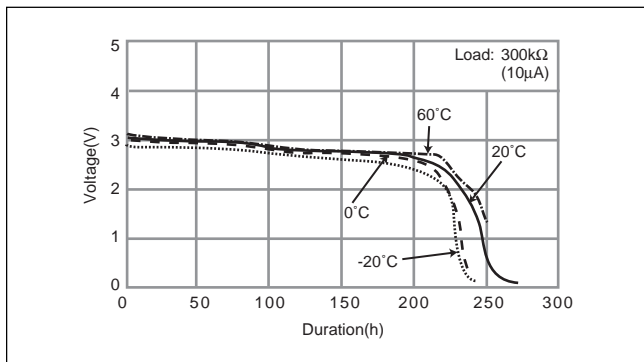
■ Dimensions(mm)



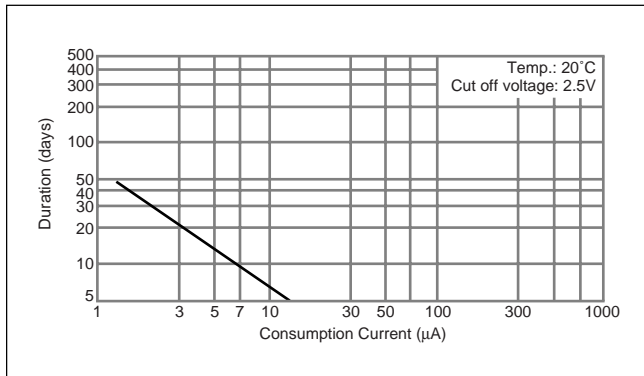
■ Specification

Nominal voltage (V)	3
Nominal capacity (mAh)	1.5
Continuous standard load (mA)	0.01
Operating temperature (C)	-20 ~ +60

■ Discharge Temperature Characteristics

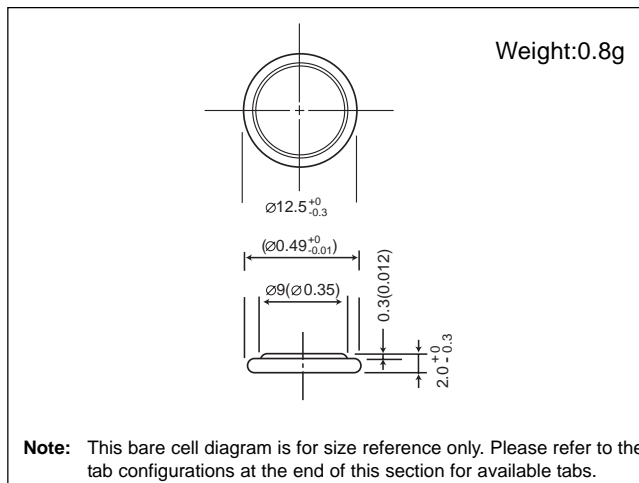


■ Consumption current vs. Duration time



VL1220

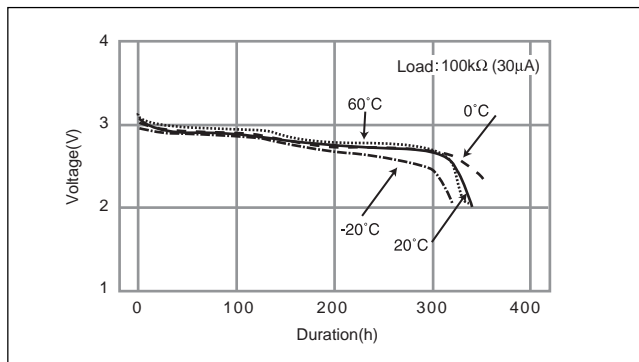
■ Dimensions(mm)



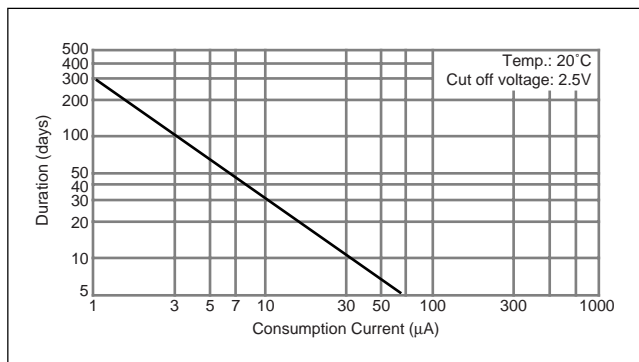
■ Specification

Nominal voltage (V)	3
Nominal capacity (mAh)	7.0
Continuous standard load (mA)	0.02
Operating temperature (C)	-20 ~ +60

■ Discharge Temperature Characteristics



■ Consumption current vs. Duration time



Product Information Sheet

Panasonic Batteries

Panasonic Industrial Company
A Division Panasonic Corporation of North America
5201 Tollview Drive, 1F-3
Rolling Meadows, IL 60008
Toll Free: 877-726-2228
Fax: 847-637-4660
Internet: www.panasonic.com/industrial/batteries.oem
e-mail: ombatteries@panasonic.com

Product: Vanadium Pentoxide (VL Type) Lithium Batteries
Applicable models/sizes: All VL type

Revision: January 1, 2014

The batteries referenced herein are exempt articles and are not subject to the OSHA Hazard Communication Standard requirement. This sheet is provided as a service to our customers.

MSDS

Material Safety Data Sheets (MSDS) are a sub-requirement of the Occupational Safety and Health Administration (OSHA) Hazard Communication Standard, 29 CFR Subpart 1910.1200. This Hazard Communication Standard does not apply to various subcategories including anything defined by OSHA as an "article". OSHA has defined "article" as a manufactured item other than a fluid or particle; (i) which is formed to a specific shape or design during manufacture; (ii) which has end use function(s) dependent in whole or in part upon its shape or design during end use; and (iii) which under normal conditions of use does not release more than very small quantities, e.g. minute or trace amounts of a hazardous chemical, and does not pose a physical hazard or health risk to employees.

Because all of our batteries are defined as "articles", they are exempt from the requirements of the Hazard Communication Standard; hence a MSDS is not required.

DISPOSAL

Panasonic has determined that our Vanadium Pentoxide battery (VL type) is considered a hazardous waste when disposed of in the states of California, Rhode Island and Washington.

<u>State</u>	<u>Classification</u>	<u>Monthly weight needed to qualify</u>
California	Non-RCRA Hazardous	No minimum ⁽¹⁾
Rhode Island	Rhode Island Waste (Type 1C)	No minimum ⁽¹⁾
Washington	Dangerous Waste (Category D)	220 Pounds ⁽²⁾

Notes:

- (1) Any amount of VL type batteries in California or Rhode Island must be disposed of in accordance with the hazardous waste laws of each state. **These requirements do not apply to individual consumers or to end products that contain VL batteries.**
- (2) If you generate less than 220 pounds of these batteries in any one calendar month, you are exempt from the State of Washington hazardous waste regulations.

In all cases, it remains the responsibility of the party generating the waste to properly dispose of your waste in accordance with all laws and regulations. Panasonic recommends that large quantities of this battery be disposed of in a fully permitted hazardous landfill.

TRANSPORTATION

All Panasonic lithium batteries are not subject to the requirements of the Department of Transportation (DOT) Subchapter C, Hazardous Materials Regulations if shipped in compliance with 49 CFR 173.185 and Special Provision 188.

Effective January 1, 2014 all Panasonic lithium batteries can be shipped by air in accordance with International Civil Aviation Organization (ICAO), 2013-2014 edition, Section II or Section 1B, International Air Transport Association (IATA) 55th edition, Section II or Section 1B Packing Instructions (PI) 968 (Batteries), PI 969 (Batteries, packed with equipment) and PI 970 (Batteries, contained in equipment) as appropriate

Notice: The information and recommendations set forth are made in good faith and are believed to be accurate at the date of preparation. Panasonic Industrial Company makes no warranty expressed or implied.

All Panasonic lithium batteries are regulated by the International Maritime Organization (IMO), 2012 edition, 36th amendment, under Special Provisions 188 and 230.

All Panasonic lithium cells are tested and comply with the UN Model Regulations, Manual of Test and Criteria, Part III, subsection 38.3.

If you build any of our lithium cells into a battery pack, you must also assure that they are tested in accordance with the UN Model Regulations, Manual of Test and Criteria, Part III, subsection 38.3, 5th revised edition, Amendment 1.

The DOT requires that the outside of each package that contains lithium metal batteries, regardless of size or number of batteries, be labeled with the following statement: **"LITHIUM METAL BATTERIES- FORBIDDEN FOR TRANSPORT ABOARD PASSENGER AIRCRAFT"**. The labeling requirement covers shipments via highway, rail, vessel or cargo-only aircraft and covers all shipments inside, into or out of the US. The label must be in contrasting color and the letters must be 12 mm (0.5 in) in height for packages weighing more than 30 Kg and 6 mm (0.25 in) in height for packages weighing less than 30 Kg.

First Aid

If you get electrolyte in your eyes, flush with water for 15 minutes without rubbing and immediately contact a physician. If you get electrolyte on your skin wash the area immediately with soap and water. If irritation continues, contact a physician. If a battery is ingested, call the National Capital Poison Center (NCPC) at 202-625-333 (Collect) or your local poison center immediately. Lithium coin batteries lodged in the esophagus should be removed immediately. Leakage, chemical burns and perforation can occur within hours of ingestion.

General Recommendations

CAUTION: Risk of fire, explosion and burns. Do not recharge, crush, heat above 212^oF (100^oC) or incinerate.

Fire Safety

In case of fire, you can use a Class "D" fire extinguisher or other smothering agent such as Lith-X, copper powder or dry sand. If you use water, use enough to smother the fire. Using an insufficient amount of water will only make the fire worse. Cooling the exterior of the batteries will help prevent rupturing. Burning of these batteries will generate toxic and corrosive lithium hydroxide fumes. Fire fighters should use self-contained breathing apparatus. Detailed information on fighting a lithium metal battery fire can be found in Guide 138 (Substances – Water – Reactive) of the US DOT Emergency Response Guide.

Mouser Electronics

Authorized Distributor

Click to View Pricing, Inventory, Delivery & Lifecycle Information:

Panasonic:

[VL-1220/FCN](#) [VL2330-1HF](#) [VL3032-1GUF](#) [VL-1220/VCN](#) [VL-2330/HFN](#) [VL-2320/HFN](#) [VL-2330/VCN](#) [VL-2330/G1CN](#) [VL-2320/VCN](#)