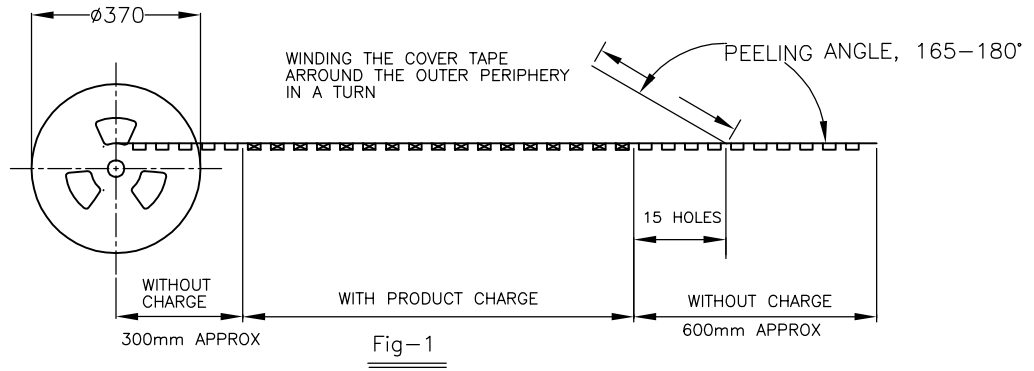
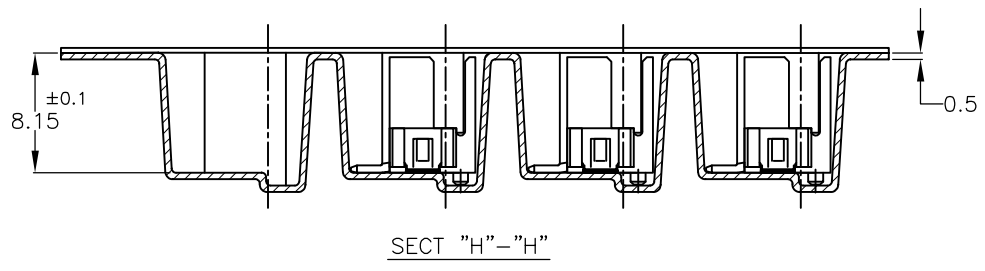
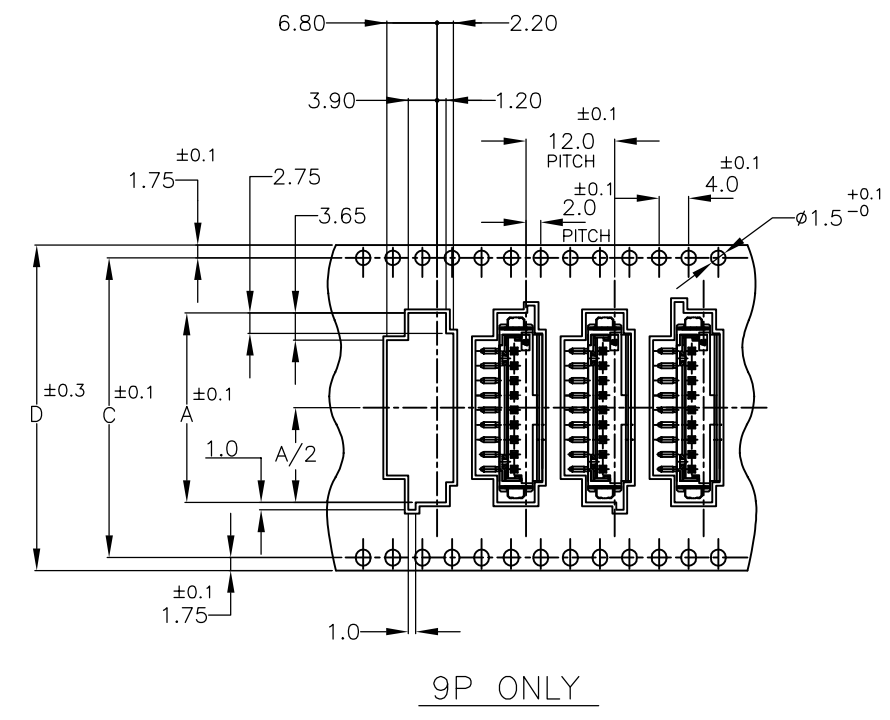
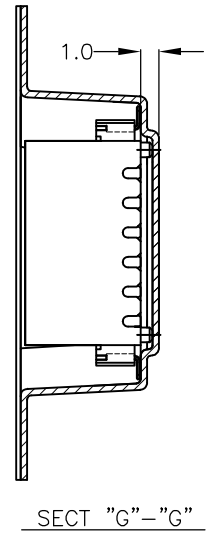
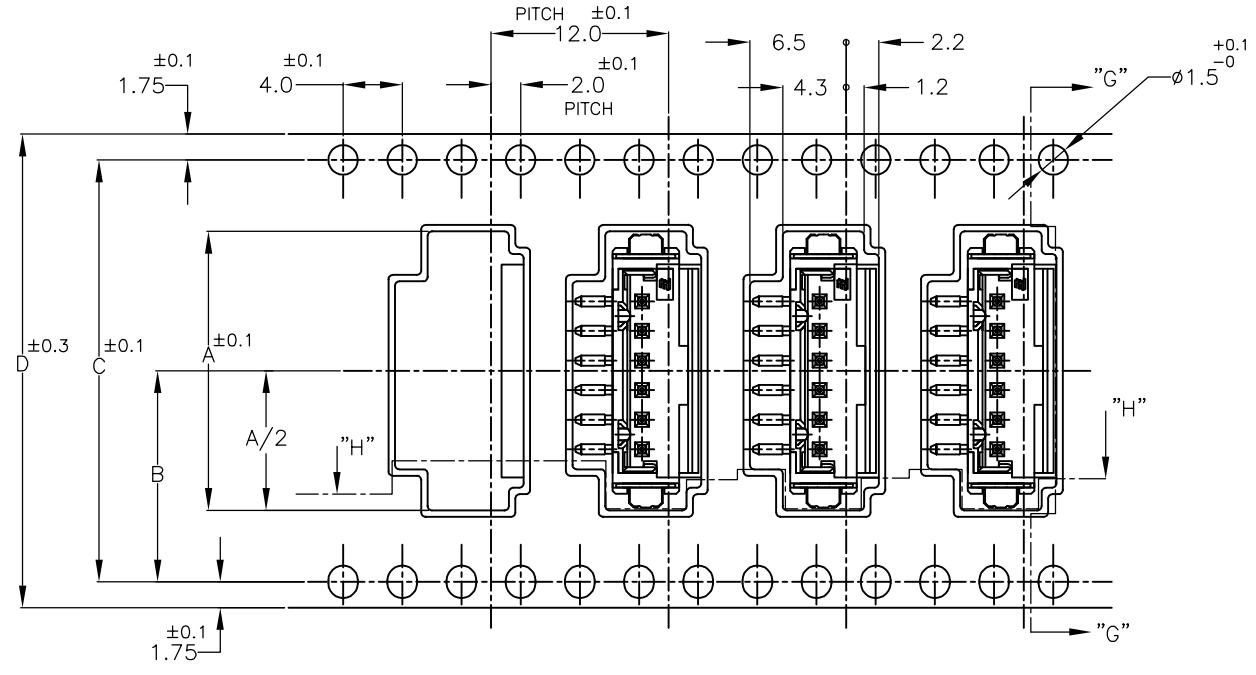


LOC	DIST	REVISIONS			
P	LTR	DESCRIPTION	DATE	DWN	APVD
ES	00	C1	REVISED PERECR-14-003969	08DEC14	T.Q W.H

(AS SHOWN : -6)



COLOR	PLATE	D	C	B	A	QTY/ REEL	POS	TAPING P/N
BLACK		44.0	40.5	20.25	25.6	9	2-292174-9	
		44.0	40.4	20.2	22.9	8	2-	-8
		32.0	28.4	14.2	20.9	7	2-	-7
		32.0	28.4	14.2	18.9	6	2-	-6
		32.0	28.4	14.2	16.9	5	2-	-5
		32.0	28.4	14.2	14.9	4	2-	-4
		32.0	28.4	14.2	12.9	3	2-	-3
WITH		32.0	28.4	14.2	10.9	700	2	2-292174-2
NATURAL		44.0	40.5	20.25	25.6	9	292174-9	
		44.0	40.4	20.2	22.9	8		-8
		32.0	28.4	14.2	20.9	7		-7
		32.0	28.4	14.2	18.9	6		-6
		32.0	28.4	14.2	16.9	5		-5
		32.0	28.4	14.2	14.9	4		-4
		32.0	28.4	14.2	12.9	3		-3
WITH		32.0	28.4	14.2	10.9	700	2	292174-2

NOTES:
 1. PEELING RESISTANCE: 0.196N(20gf)-0.686N(70gf)
 PEELING SPEED: 300mm/min

TOLERANCE UNLESS OTHERWISE SPECIFIED	
10 > *	±0.2
30 > * > 10	±0.25
100 > * > 30	±0.3
ANGLE	±3°

THIS DRAWING IS A CONTROLLED DOCUMENT.

DWN	JACK HOU	17SEP10
CHK	MARTIN LI	17SEP10
APVD	STEVEN YAO	17SEP10

PRODUCT SPEC

APPLICATION SPEC

WEIGHT

CUSTOMER DRAWING

SCALE: $\frac{1}{1}$

SHEET: 1 OF 3

REV: C1

STE TE Connectivity

ON TAPING (EMBOSS)
 TE CT CONNECTOR POST HEADER ASS'Y
 (BOX-V SMT W/BOSS & TAIL)

SIZE: A3

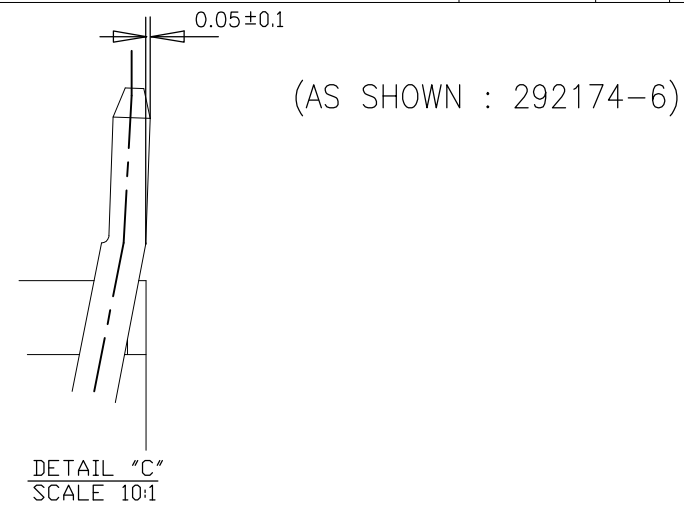
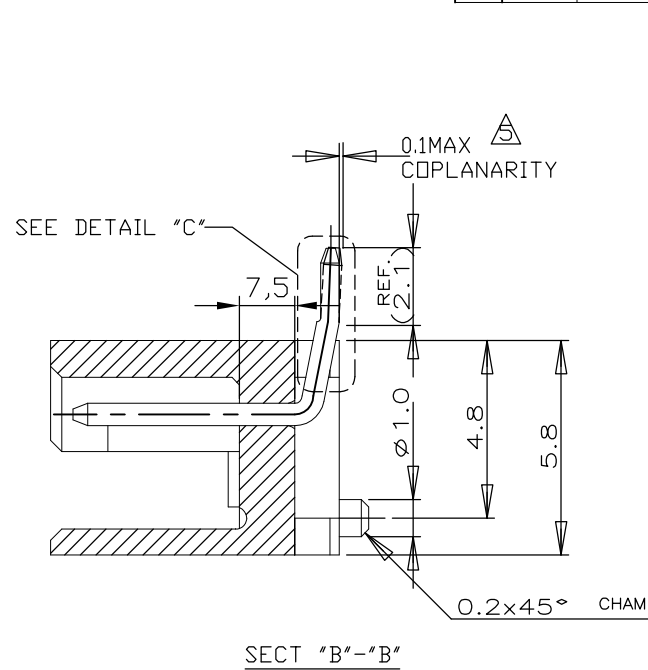
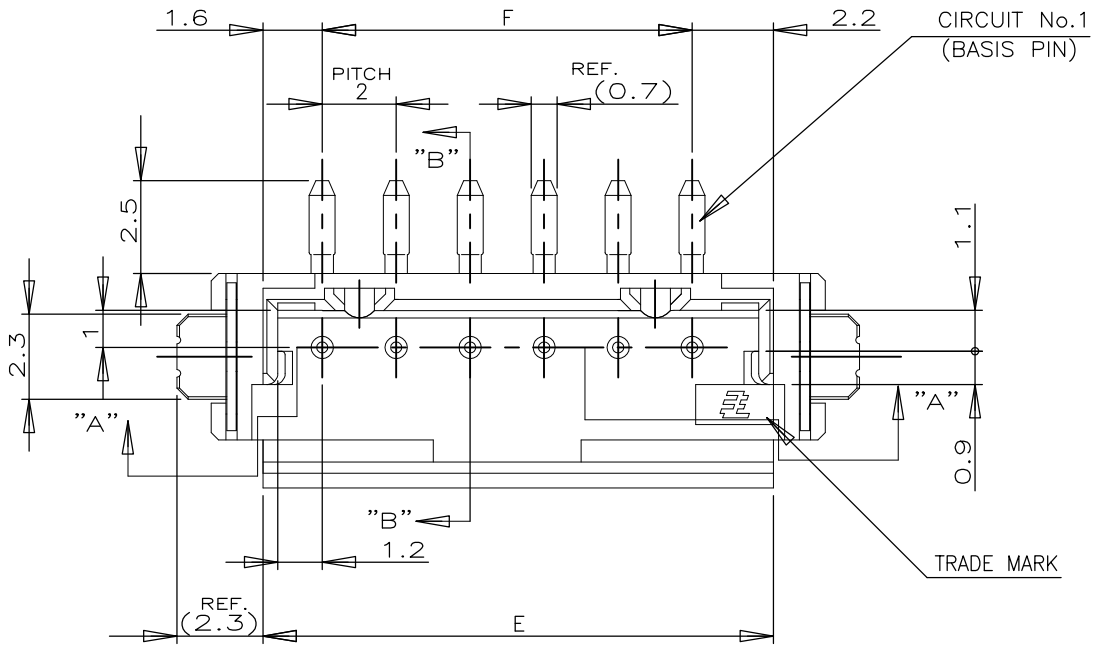
CAGE CODE: 00779

DRAWING NO: C=292174

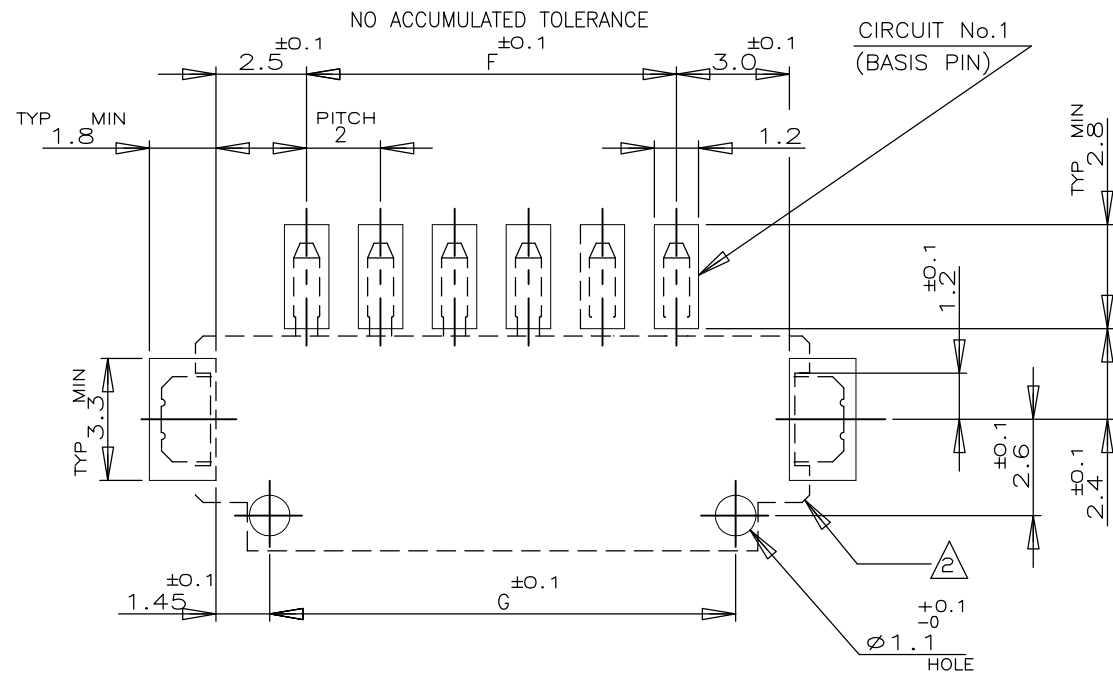
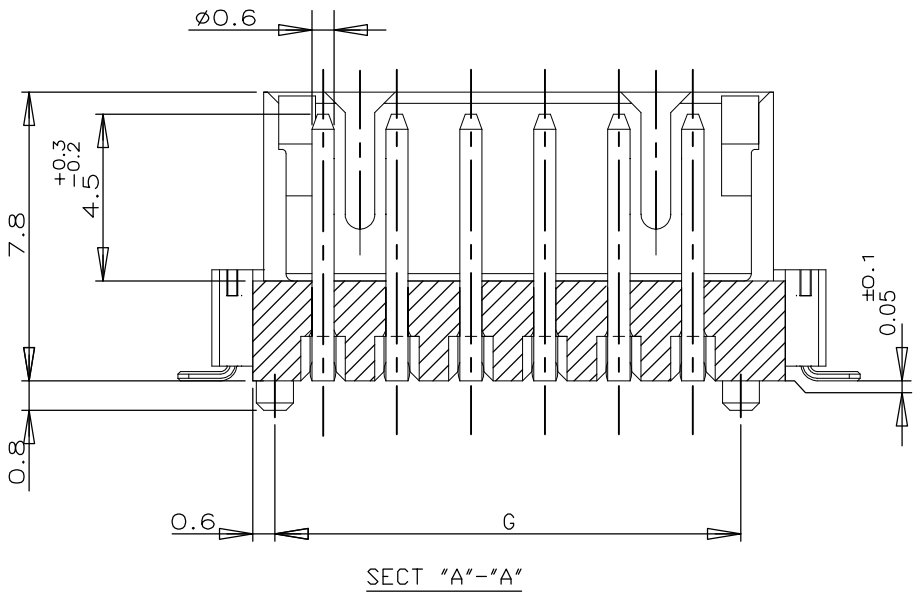
RESTRICTED TO: -

THIS DRAWING IS UNPUBLISHED. RELEASED FOR PUBLICATION
 © COPYRIGHT - By - ALL RIGHTS RESERVED.

LOC	DIST	REVISIONS					
ES	00	P	LTR	DESCRIPTION	DATE	DWN	APVD
		-		SEE SHEET 1	-	-	-



- NOTES;
- MATERIAL:HSG:6T PA(G.F.30%)(UL94V-0)
 COLOR:BLACK OR NATURAL
 POST:TIN BRASS
 TAIL:TIN BRASS
 - OCCUPANT AREA ON PC BOARD
 - PRODUCT SPEC :108-60016
 - △ TO BE MEASURED WITH CONNECTOR PLACED ON HORIZONTAL DATUM SURFACE,FLOAT OF SOLDER TINE AND TAIL FROM DATUM SURFACE IS 0.1mm MAX



RECOMENOD P.C.BOARD LAYOUT
 (P.C.B THK:0.8mm MIN)

12.6	10.0	13.8	6	292174-6
G	F	E	Pos.	NATURAL
				P/N

TOLERANCES UNLESS OTHERWISE SPECIFIED:

10>*	: ±0.2
30>*>10	: ±0.25
100>*>30	: ±0.3
ANGEL	: ±3°

THIS DRAWING IS A CONTROLLED DOCUMENT.		DWN JACK HOU 17SEP10	STE TE Connectivity	
DIMENSIONS: MM		CHK MARTIN LI 17SEP10		
TOLERANCES UNLESS OTHERWISE SPECIFIED:		APVD STEVEN YAO 17SEP10	NAME	
0 PLC ± -		PRODUCT SPEC	SMT TYPE POST HDR ASS'Y(V)	
1 PLC ± -		APPLICATION SPEC	WITH BOSS &WITH TAIL TYPE	
2 PLC ± -		WEIGHT	TE CT CONN. 2 mm PITCH)	
3 PLC ± -		CUSTOMER DRAWING	SIZE A3	RESTRICTED TO
4 PLC ± -			CAGE CODE 00779	
ANGLES ± -			DRAWING NO C-292174	
MATERIAL SEE NOTE			SCALE 5:1	SHEET 3 of 3
FINISH SEE NOTE				REV C1