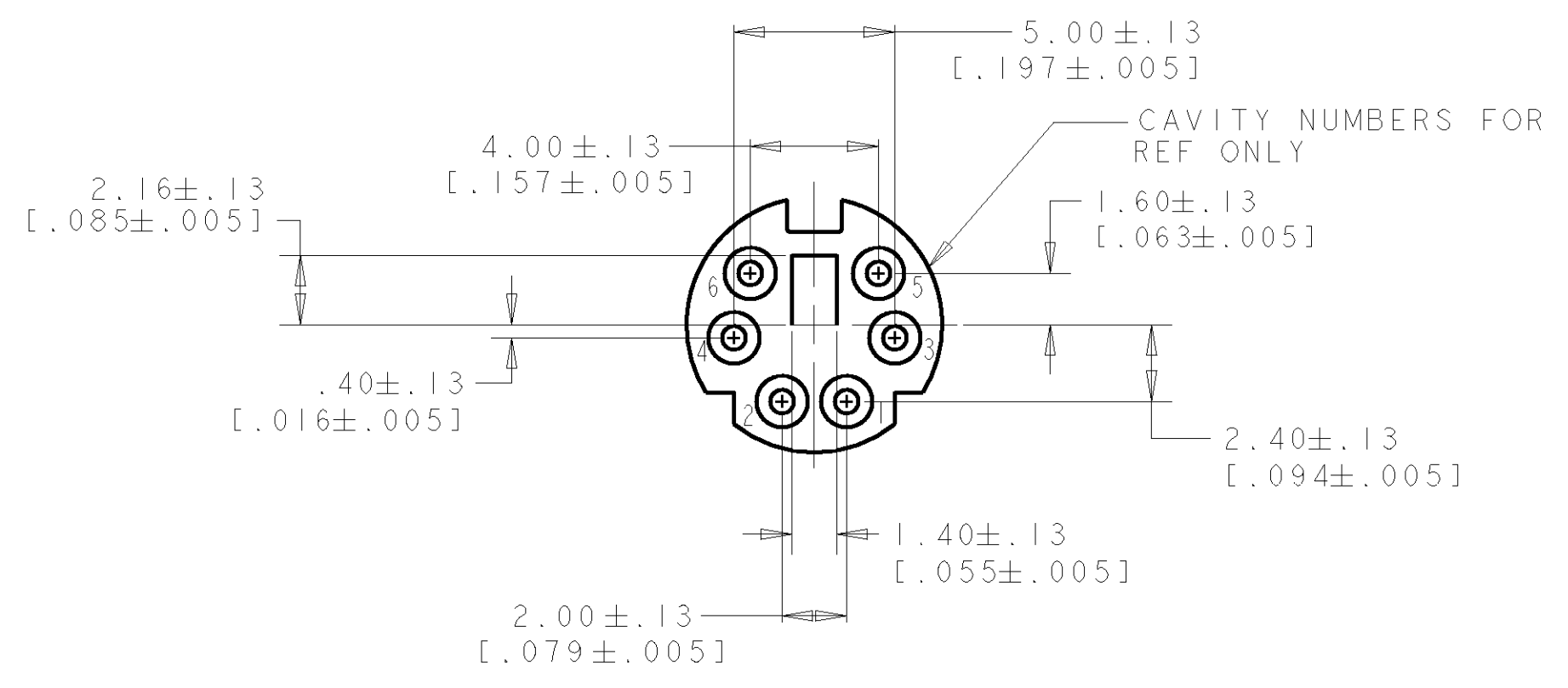
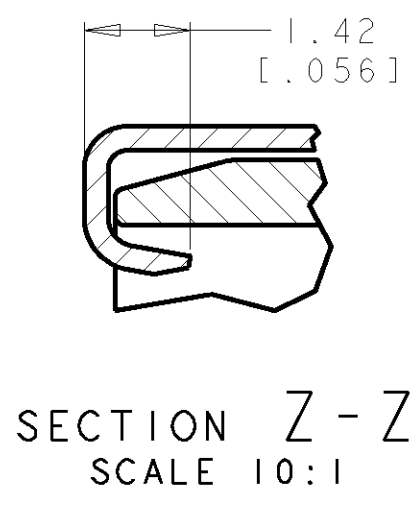
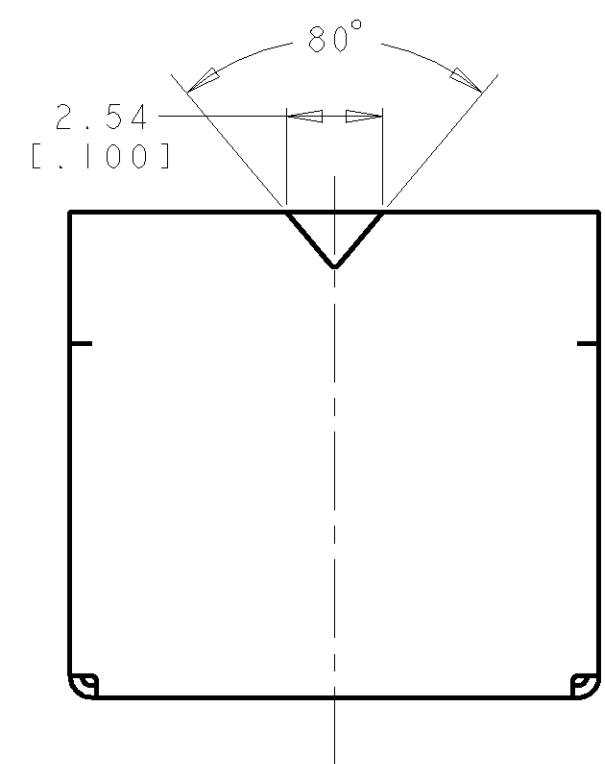
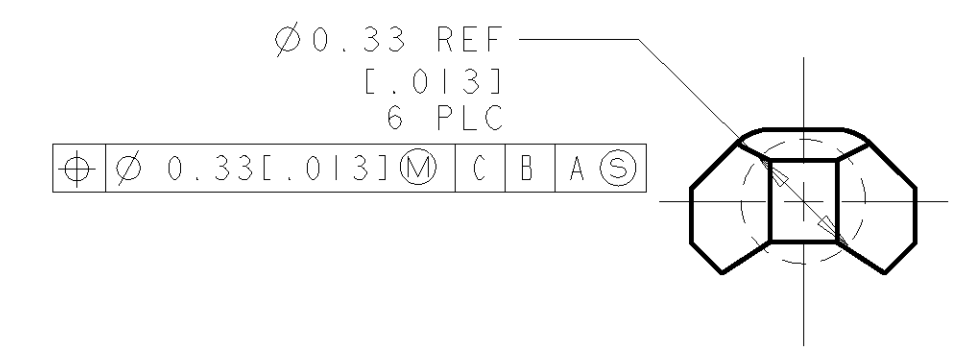
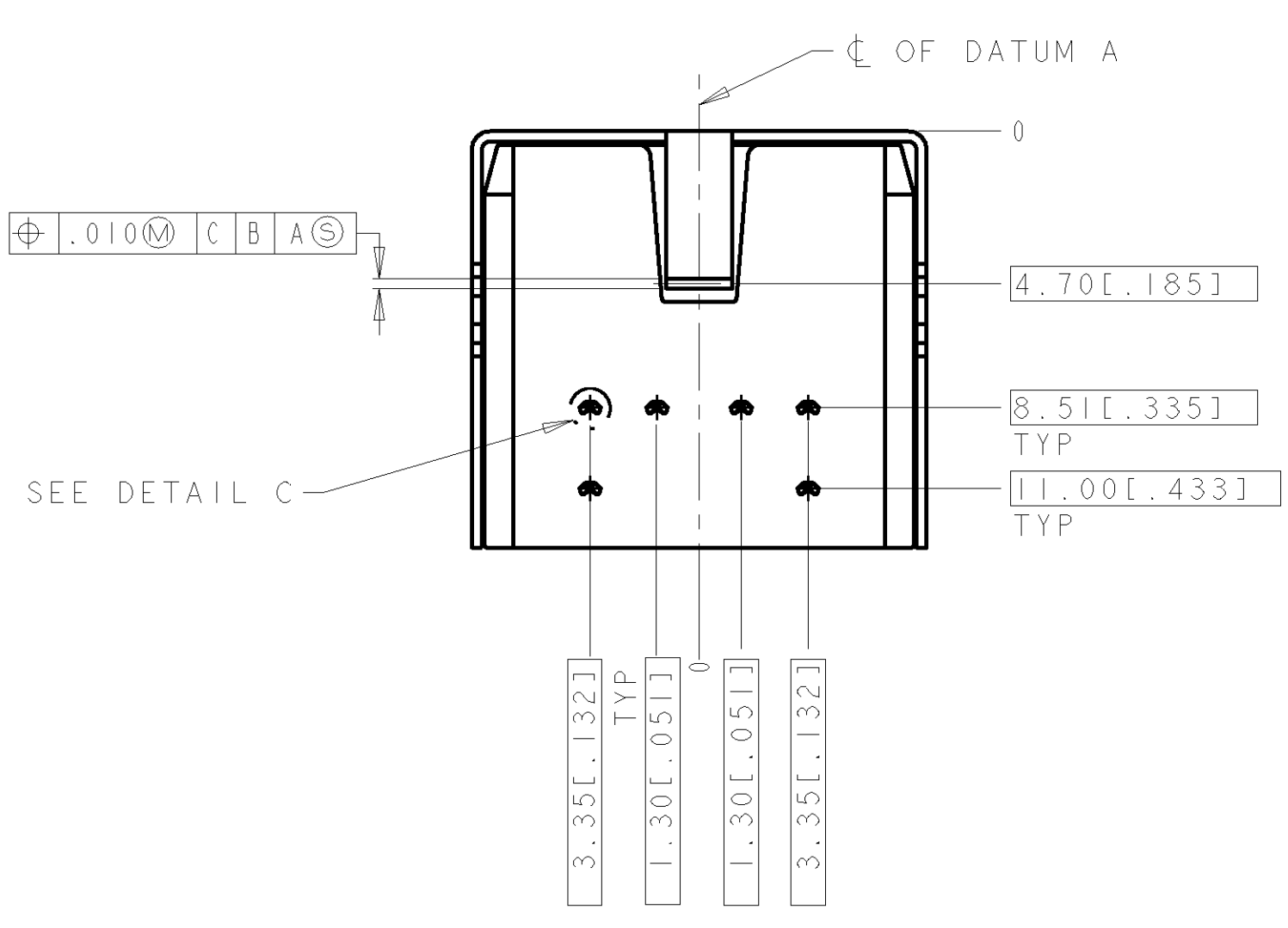
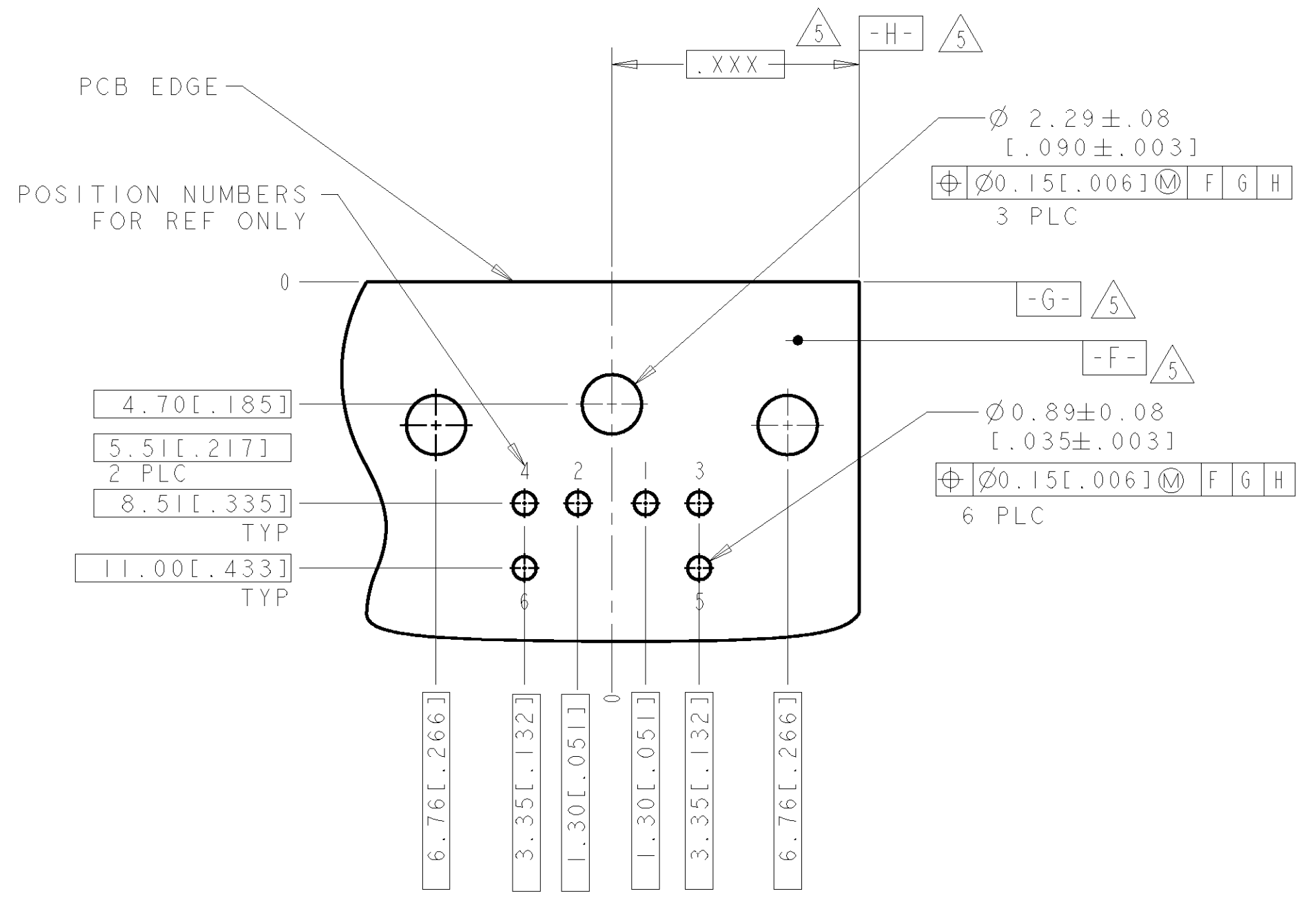
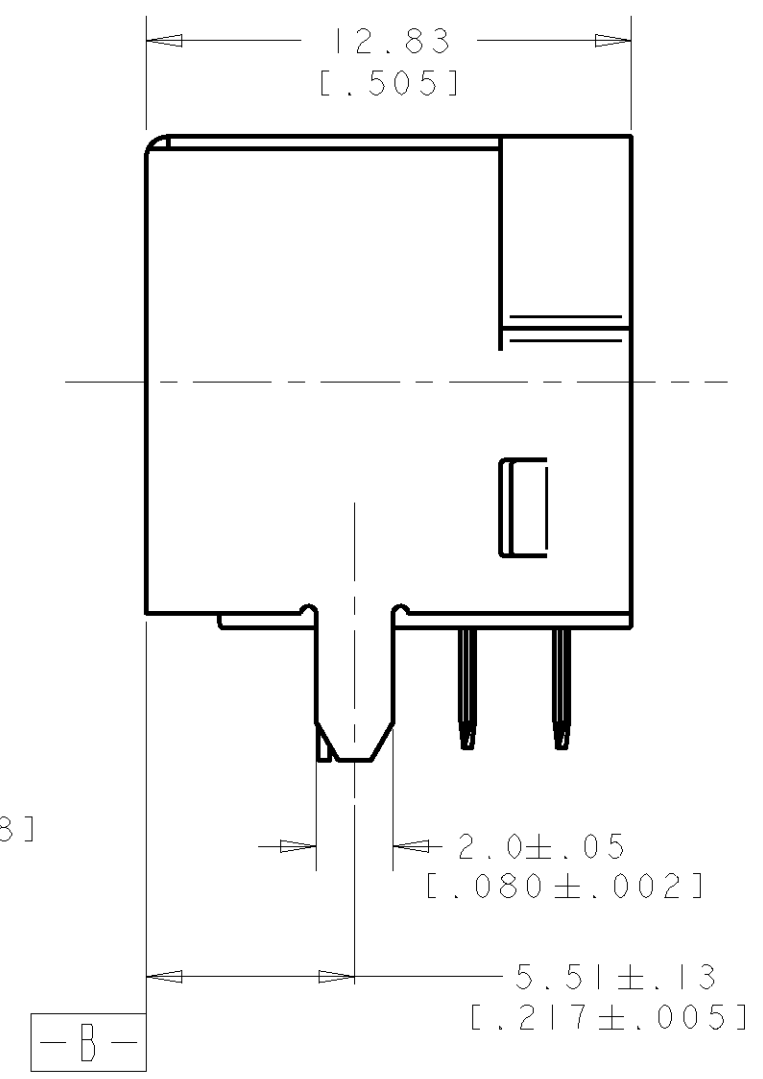
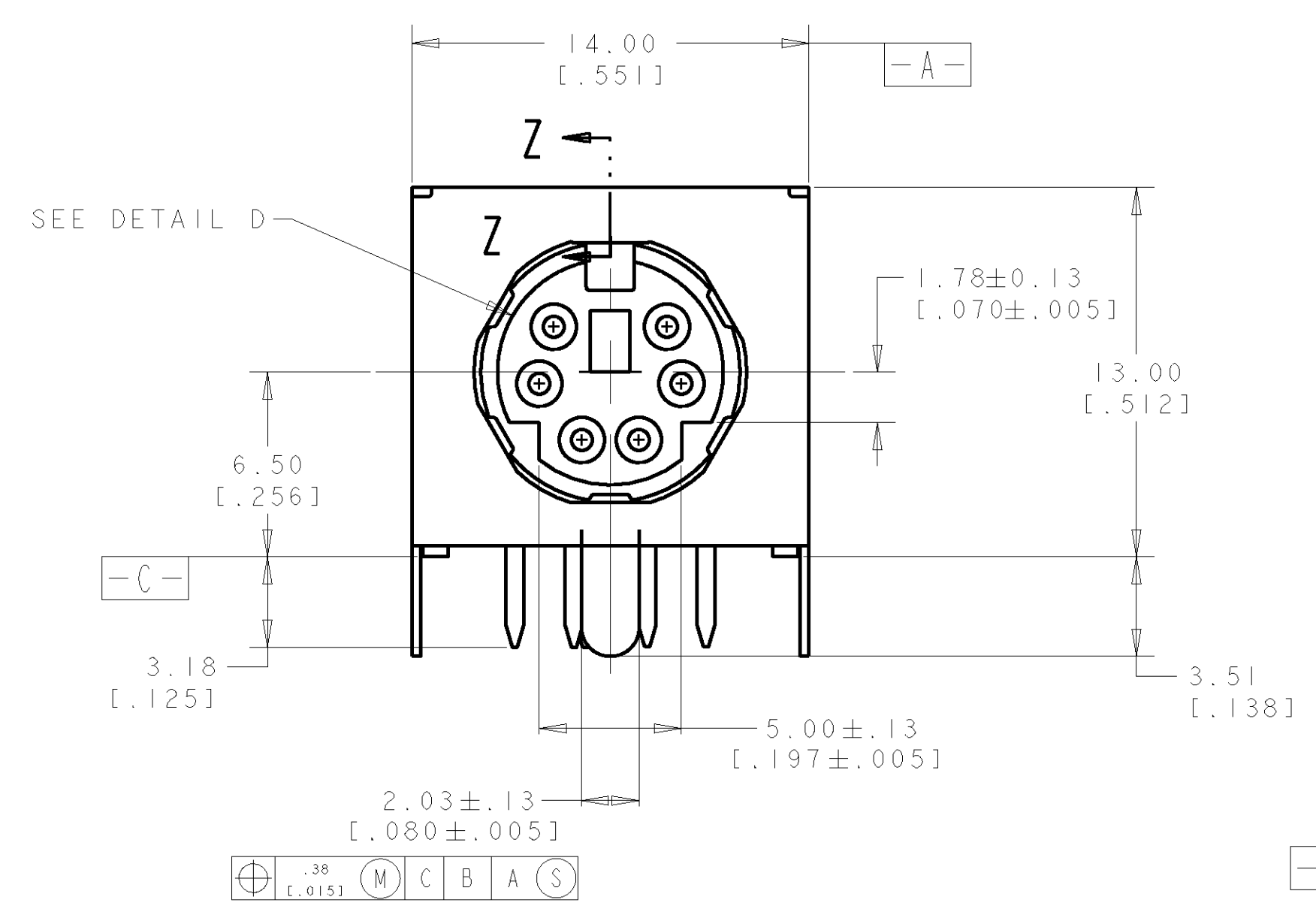


LOC	DIST	REV	DATE	BY	CHK	APPD
01	01	1	19MAR11	RK	HMR	



- △ RECEPTACLE CONTACTS: COPPER ALLOY.
RECEPTACLE SHIELD: COPPER ALLOY.
HOUSING: THERMOPLASTIC, BLACK, 94V-0 RATED.
- △ PLATING:
RECEPTACLE CONTACTS - GOLD FLASH PLATED ON MATING END, MATTE-TIN PLATED .0030 MIN [.000120 MIN] THICK ON SOLDER TAIL ALL OVER .0013 MIN [.000050 MIN] THICK NICKEL.
- △ PLATING:
SHIELD: PRE-TIN PLATED
- 4. RECEPTACLE ASSEMBLY MATES WITH 6 PIN 9.00±.10 [.354±.004] DIAMETER PLUG.
- △ DATUMS AND BASIC DIMENSION SUPPLIED BY CUSTOMER.



DETAIL C
SCALE 50:1

P/N: 5749265-1 AS SHOWN

DIMENSIONS: mm [INCHES]		TOLERANCES UNLESS OTHERWISE SPECIFIED:		DWN: WYLEE 04JAN2005 CHK: SF LEONG APPD: SF LEONG	
0 PLC	±	0	±	NAME	RECEPTACLE ASSY, 6 POS., RIGHT ANGLE, MINIATURE CIRCULAR DIN
1 PLC	±	1	±	PRODUCT SPEC	108-1225
2 PLC	±	2	±	APPLICATION SPEC	
3 PLC	±0.38 [.015]	3	±	SIZE	A1
4 PLC	±	4	±	CAGE CODE	00779
5 PLC	±	5	±	DRAWING NO	5749265
6 PLC	±	6	±	WEIGHT	
ANGLES	±		±	CUSTOMER DRAWING	
FINISH	±		±	SCALE	5:1

Mouser Electronics

Authorized Distributor

Click to View Pricing, Inventory, Delivery & Lifecycle Information:

[TE Connectivity:](#)

[5749265-1](#)