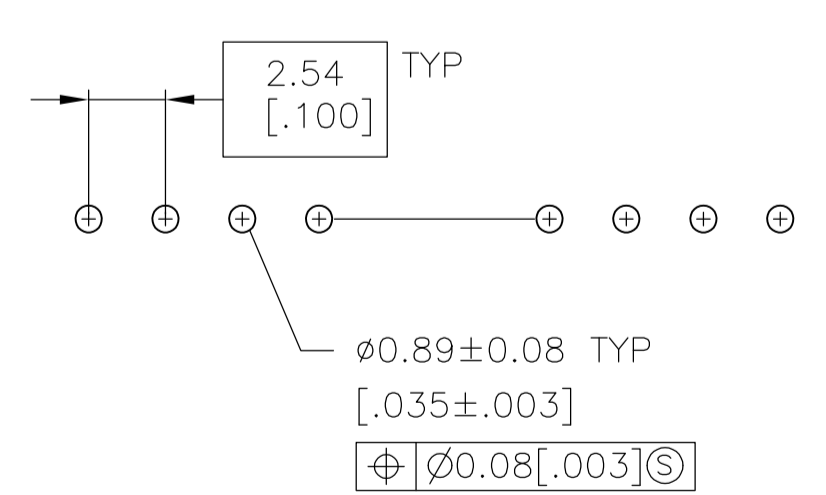
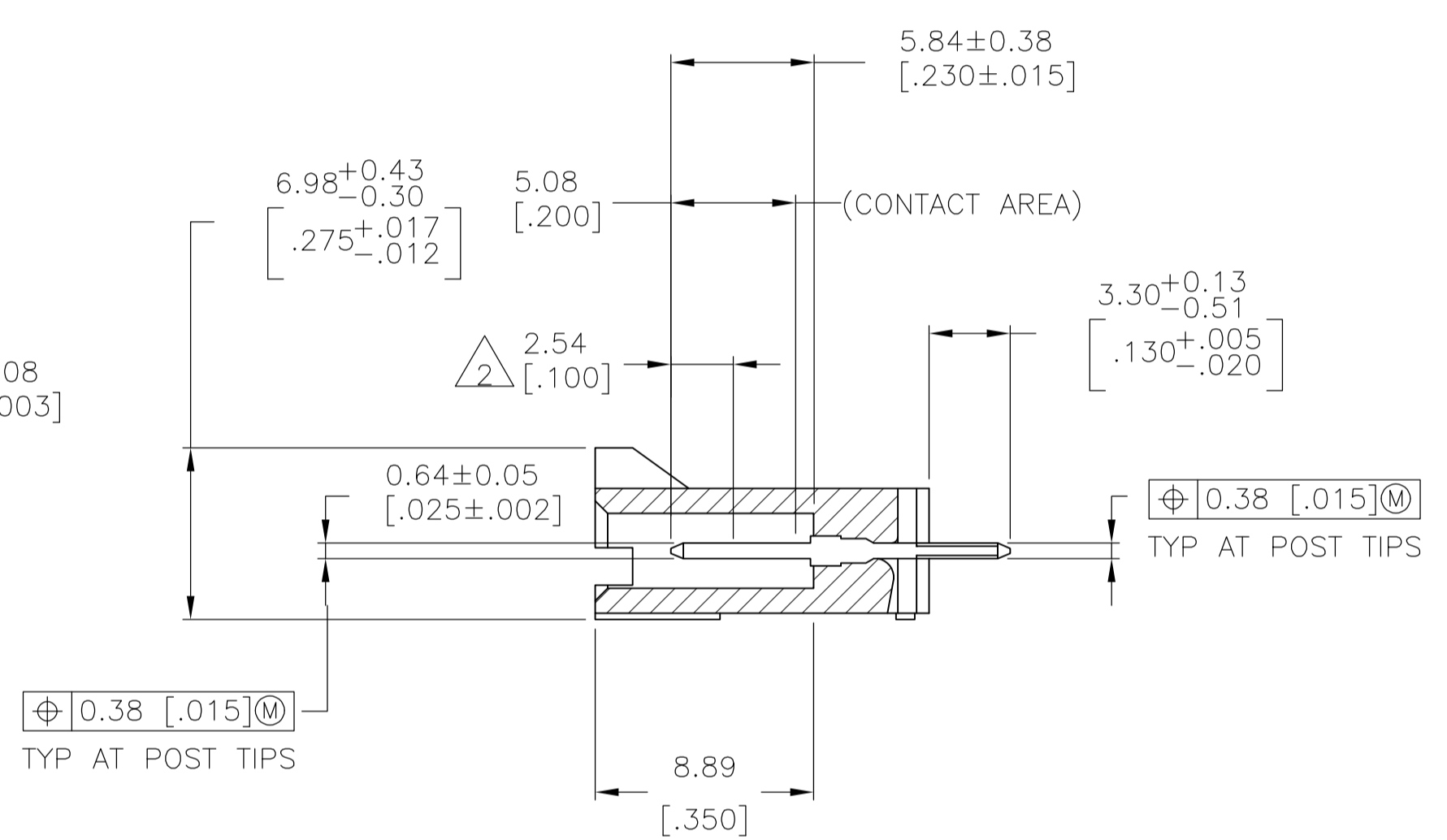
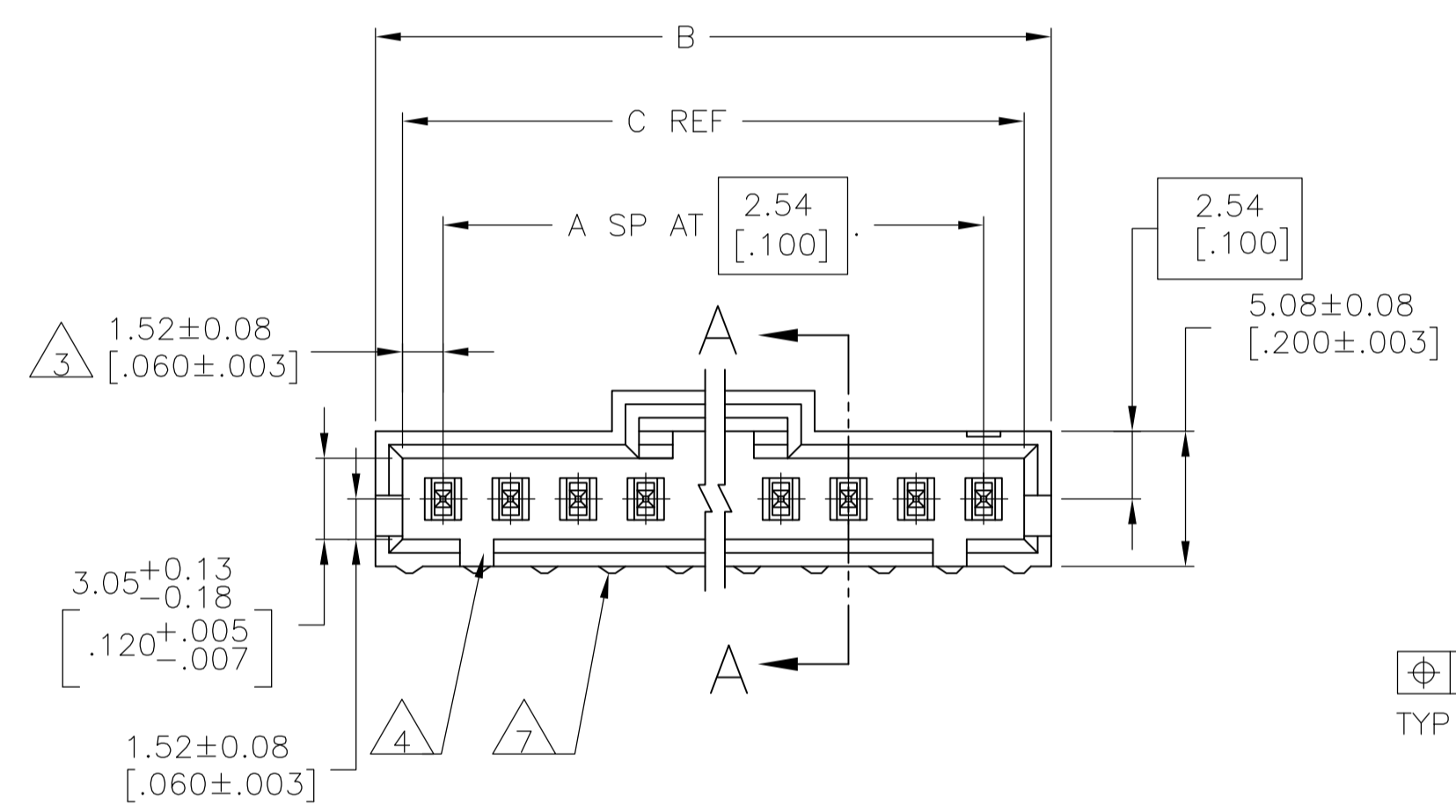
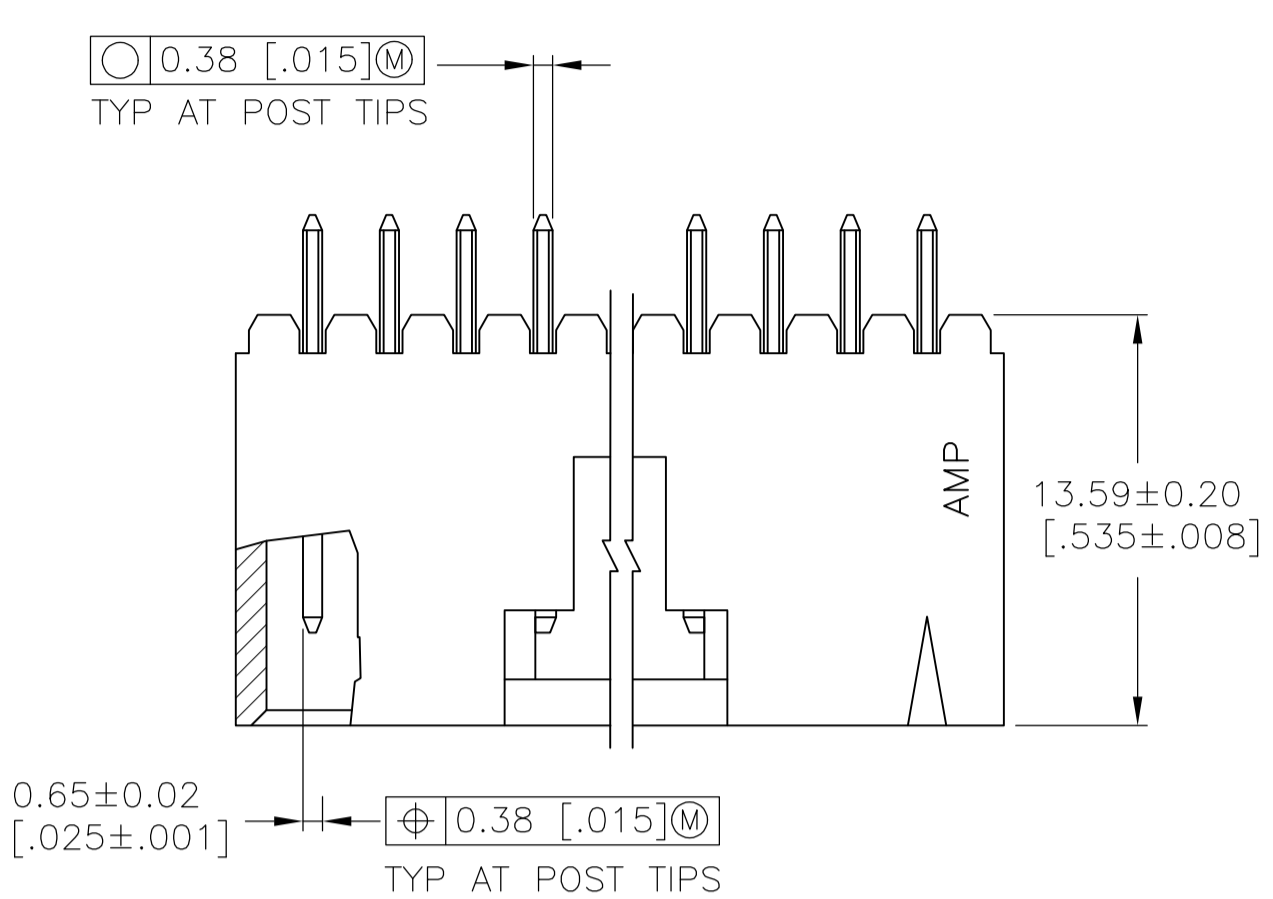


| REVISIONS |     |                           |           |     |      |
|-----------|-----|---------------------------|-----------|-----|------|
| P         | LTR | DESCRIPTION               | DATE      | DMN | APVD |
| U2        |     | REVISED PER ECO-11-004587 | 11MAR11   | RK  | HMR  |
| V         |     | REVISED PER ECO-17-002209 | 11APR2017 | RS  | MM   |

- 1 .00076[.000030] GOLD IN THE CONTACT AREA, .00254[.000100] MATTE TIN-LEAD ON REMAINDER OF CONTACT, ALL OVER .00127[.000050] NICKEL.
- 2 POINT OF MEASUREMENT FOR PLATING THICKNESS.
- 3 THE NOTED DIMENSIONS APPLY AT THE INTERSECTION OF THE POST AND THE HOUSING.
- 4 ON ASSEMBLIES WITH FOUR OR MORE POSITIONS, TWO POLARIZATION SLOTS. ON ASSEMBLIES WITH TWO OR THREE POSITIONS, ONE POLARIZATION SLOT.
- 5 .00076[.000030] GOLD IN THE CONTACT AREA, .00254[.000100] MATTE TIN ON REMAINDER OF CONTACT, ALL OVER .00127[.000050] NICKEL.
- 6 HIGH TEMPERATURE CONFIGURATION
- 7 STANDOFFS NOT PRESENT ON UNDERSIDE OF ASSEMBLY
- 8 OBSOLETE PARTS: OBSOLETE CIS STREAMLINING PER D.RENAUD/D.SINISI



RECOMMENDED HOLE LAYOUT

|            | 6 | 1 | 64.01 [2.520] | 65.91 [2.595] | 24 | 25 | 2-103735-4  |
|------------|---|---|---------------|---------------|----|----|-------------|
| 8 OBSOLETE | 6 | 1 | 61.47 [2.420] | 63.37 [2.495] | 23 | 24 | -2-103735-3 |
| 8 OBSOLETE | 6 | 1 | 58.93 [2.320] | 60.83 [2.395] | 22 | 23 | -2-103735-2 |
| 8 OBSOLETE | 6 | 1 | 56.39 [2.220] | 58.29 [2.295] | 21 | 22 | -2-103735-1 |
| 8 OBSOLETE | 6 | 1 | 53.85 [2.120] | 55.75 [2.195] | 20 | 21 | -2-103735-0 |
|            | 6 | 1 | 51.31 [2.020] | 53.21 [2.095] | 19 | 20 | 1-103735-9  |
| 8 OBSOLETE | 6 | 1 | 48.77 [1.920] | 50.67 [1.995] | 18 | 19 | -1-103735-8 |
|            | 6 | 1 | 46.23 [1.820] | 48.13 [1.895] | 17 | 18 | 1-103735-7  |
|            | 6 | 1 | 43.69 [1.720] | 45.59 [1.795] | 16 | 17 | 1-103735-6  |
|            | 6 | 1 | 41.15 [1.620] | 43.05 [1.695] | 15 | 16 | 1-103735-5  |
|            | 6 | 1 | 38.61 [1.520] | 40.51 [1.595] | 14 | 15 | 1-103735-4  |
|            | 6 | 1 | 36.07 [1.420] | 37.97 [1.495] | 13 | 14 | 1-103735-3  |
|            | 6 | 1 | 33.53 [1.320] | 35.43 [1.395] | 12 | 13 | 1-103735-2  |
|            | 6 | 1 | 30.99 [1.220] | 32.89 [1.295] | 11 | 12 | 1-103735-1  |
|            | 6 | 1 | 28.45 [1.120] | 30.35 [1.195] | 10 | 11 | 1-103735-0  |
|            | 6 | 1 | 25.91 [1.020] | 27.81 [1.095] | 9  | 10 | 103735-9    |
|            | 6 | 1 | 23.37 [0.920] | 25.27 [0.995] | 8  | 9  | 103735-8    |
|            | 6 | 1 | 20.83 [0.820] | 22.73 [0.895] | 7  | 8  | 103735-7    |
|            | 6 | 1 | 18.29 [0.720] | 20.19 [0.795] | 6  | 7  | 103735-6    |
|            | 6 | 1 | 15.75 [0.620] | 17.65 [0.695] | 5  | 6  | 103735-5    |
|            | 6 | 1 | 13.21 [0.520] | 15.11 [0.595] | 4  | 5  | 103735-4    |
|            | 6 | 1 | 10.67 [0.420] | 12.57 [0.495] | 3  | 4  | 103735-3    |
|            | 6 | 1 | 8.13 [0.320]  | 10.03 [0.395] | 2  | 3  | 103735-2    |
|            | 6 | 1 | 5.59 [0.220]  | 7.49 [0.295]  | 1  | 2  | 103735-1    |

| REMARKS | PLATING | C | B | A | NO. OF POSN | PART NO. |
|---------|---------|---|---|---|-------------|----------|
|         |         |   |   |   |             |          |

THIS DRAWING IS A CONTROLLED DOCUMENT.

DIMENSIONS: mm [INCHES]  
 TOLERANCES UNLESS OTHERWISE SPECIFIED:  
 0 PLC ± -  
 1 PLC ± -  
 2 PLC ± 0.13[.005]  
 3 PLC ± -  
 4 PLC ± -  
 ANGLES ± -

MATERIAL: HOUSING: LOW RELIABILITY  
 PLZ: COPPER-ROSE  
 CONTACTS: BRASS  
 FINISH: SEE TABLE


THIS DRAWING IS A CONTROLLED DOCUMENT.  
 DWG: S. SHUEY 3-5-91  
 CHK: L. CASTAGNA 3-27-91  
 APVD: L. CASTAGNA 3-27-91  
 NAME: L. CASTAGNA  
 PRODUCT SPEC: -  
 APPLICATION SPEC: -  
 WEIGHT: -  
 CUSTOMER DRAWING

STC TE Connectivity  
 HDR ASSY, VERT, SINGLE ROW  
 2.54[.100] Q, 0.64[.025] SQ POST,  
 WITH PLZN & LATCHING, AMPMODU MTE

SIZE: A1  
 CAGE CODE: 00779  
 DRAWING NO: 103735  
 RESTRICTED TO: -  
 SCALE: 4:1 SHEET 1 OF 2 REV V

| REVISIONS |     |             |      |     |      |
|-----------|-----|-------------|------|-----|------|
| P         | LYR | DESCRIPTION | DATE | DMN | APVD |
|           |     | SEE SHEET 1 | -    | -   | -    |

|    |          |    |         |    |                  |                  |    |             |             |
|----|----------|----|---------|----|------------------|------------------|----|-------------|-------------|
|    |          | △6 | △7      | △5 | 64.01<br>[2.520] | 65.91<br>[2.595] | 24 | 25          | 7-103735-4  |
| △8 | OBSOLETE | △6 | △7      | △5 | 61.47<br>[2.420] | 63.37<br>[2.495] | 23 | 24          | -7-103735-3 |
| △8 | OBSOLETE | △6 | △7      | △5 | 58.93<br>[2.320] | 60.83<br>[2.395] | 22 | 23          | -7-103735-2 |
| △8 | OBSOLETE | △6 | △7      | △5 | 56.39<br>[2.220] | 58.29<br>[2.295] | 21 | 22          | -7-103735-1 |
| △8 | OBSOLETE | △6 | △7      | △5 | 53.85<br>[2.120] | 55.75<br>[2.195] | 20 | 21          | -7-103735-0 |
|    |          | △6 | △7      | △5 | 51.31<br>[2.020] | 53.21<br>[2.095] | 19 | 20          | 6-103735-9  |
| △8 | OBSOLETE | △6 | △7      | △5 | 48.77<br>[1.920] | 50.67<br>[1.995] | 18 | 19          | -6-103735-8 |
| △8 | OBSOLETE | △6 | △7      | △5 | 46.23<br>[1.820] | 48.13<br>[1.895] | 17 | 18          | -6-103735-7 |
|    |          | △6 | △7      | △5 | 43.69<br>[1.720] | 45.59<br>[1.795] | 16 | 17          | 6-103735-6  |
|    |          | △6 | △7      | △5 | 41.15<br>[1.620] | 43.05<br>[1.695] | 15 | 16          | 6-103735-5  |
|    |          | △6 | △7      | △5 | 38.61<br>[1.520] | 40.51<br>[1.595] | 14 | 15          | 6-103735-4  |
|    |          | △6 | △7      | △5 | 36.07<br>[1.420] | 37.97<br>[1.495] | 13 | 14          | 6-103735-3  |
| △8 | OBSOLETE | △6 | △7      | △5 | 33.53<br>[1.320] | 35.43<br>[1.395] | 12 | 13          | -6-103735-2 |
|    |          | △6 | △7      | △5 | 30.99<br>[1.220] | 32.89<br>[1.295] | 11 | 12          | 6-103735-1  |
|    |          | △6 | △7      | △5 | 28.45<br>[1.120] | 30.35<br>[1.195] | 10 | 11          | 6-103735-0  |
|    |          | △6 | △7      | △5 | 25.91<br>[1.020] | 27.81<br>[1.095] | 9  | 10          | 5-103735-9  |
|    |          | △6 | △7      | △5 | 23.37<br>[.920]  | 25.27<br>[0.995] | 8  | 9           | 5-103735-8  |
|    |          | △6 | △7      | △5 | 20.83<br>[.820]  | 22.73<br>[.895]  | 7  | 8           | 5-103735-7  |
|    |          | △6 | △7      | △5 | 18.29<br>[.720]  | 20.19<br>[.795]  | 6  | 7           | 5-103735-6  |
|    |          | △6 | △7      | △5 | 15.75<br>[.620]  | 17.65<br>[.695]  | 5  | 6           | 5-103735-5  |
|    |          | △6 | △7      | △5 | 13.21<br>[.520]  | 15.11<br>[.595]  | 4  | 5           | 5-103735-4  |
|    |          | △6 | △7      | △5 | 10.67<br>[.420]  | 12.57<br>[.495]  | 3  | 4           | 5-103735-3  |
|    |          | △6 | △7      | △5 | 8.13<br>[.320]   | 10.03<br>[.395]  | 2  | 3           | 5-103735-2  |
|    |          | △6 | △7      | △5 | 5.59<br>[.220]   | 7.49<br>[.295]   | 1  | 2           | 5-103735-1  |
|    | REMARKS  |    | PLATING |    | C                | B                | A  | NO. OF POSN | PART NO.    |

|  |  |                                |   |
|--|--|--------------------------------|---|
| THIS DRAWING IS A CONTROLLED DOCUMENT.   |  | DMN<br>S. SHUEY<br>3-5-91      |  TE Connectivity |
| DIMENSIONS: mm [INCHES]  |  | CHK<br>L. CASTAGNA<br>3-27-91  |   |
| TOLERANCES UNLESS OTHERWISE SPECIFIED:   |  | APVD<br>L. CASTAGNA<br>3-27-91 | NAME  |
| 0. PLC ± -<br>1. PLC ± -<br>2. PLC ± -<br>3. PLC ± -<br>4. PLC ± -<br>ANGLES ± - |  | PRODUCT SPEC                   | HDR ASSY, VERT, SINGLE ROW<br>2.54[.100] @ 0.64[.025] SQ POST,<br>WITH PLZN & LATCHING, AMPMODU MTE   |
| MATERIAL: HOUSING: TAMP REMOVAL (UP) COLOUR-BLACK CONTACTS: BRASS                |  | FINISH: SEE TABLE              | APPLICATION SPEC  |
| WEIGHT   |  | SIZE: A1                       | RESTRICTED TO   |
| CUSTOMER DRAWING   |  | SCALE: 4:1                     | SHEET 2 OF 2  |
|  |  | DRAWING NO: 00779              | REV V   |
|  |  | DRAWING NO: 103735             |   |

# Mouser Electronics

Authorized Distributor

Click to View Pricing, Inventory, Delivery & Lifecycle Information:

[TE Connectivity:](#)

[6-103735-5](#)