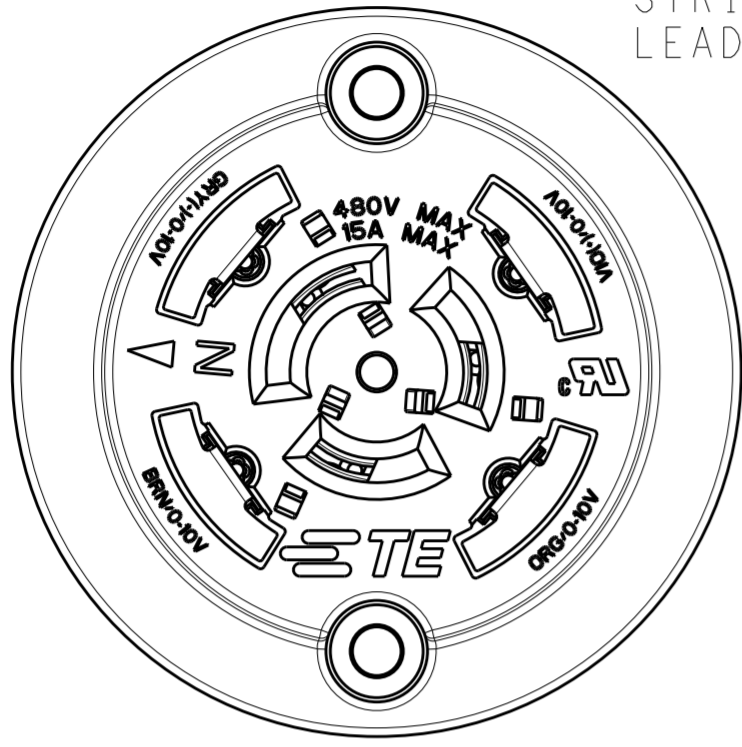


THIS DRAWING IS UNPUBLISHED. RELEASED FOR PUBLICATION 20
 © COPYRIGHT 20 BY - ALL RIGHTS RESERVED.

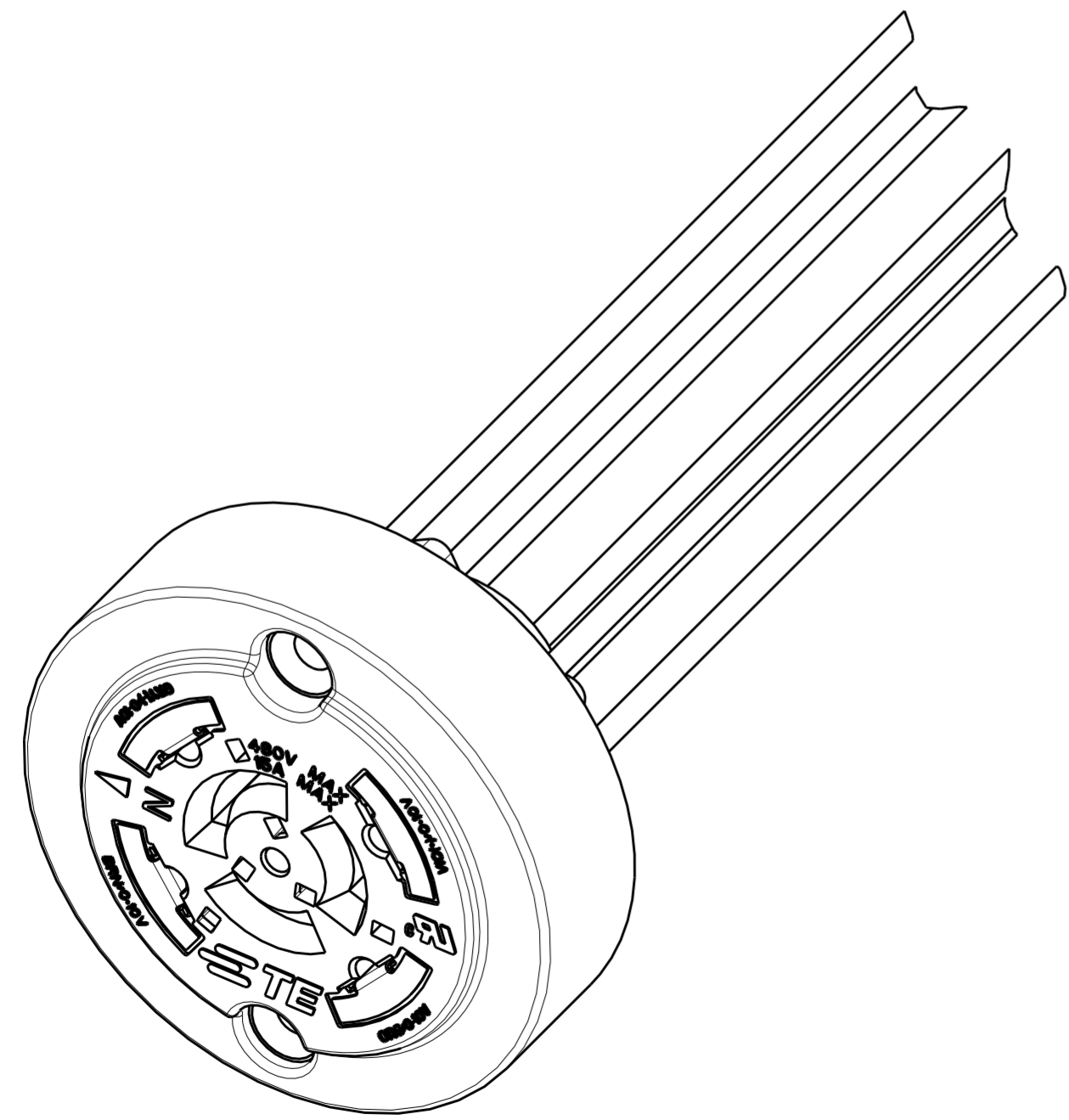
LOC		DIST		REVISIONS			
P	LTR	DESCRIPTION	DATE	DWN	APVD		
	A8	REVISED PER ECR-16-012107	25AUG2016	RS	PO		
	A9	REVISED PER ECR-16-014606	18OCT2016	RK	ASM		
	A10	REVISED PER ECR-17-014440	04OCT2017	RK	DD		
	A11	REVISED PER ECR-18-003629	19MAR2018	GCM	DD		

- 10 PRELIMINARY.
- 11 FOR PART NUMBER 5-2213362-4 ONLY, STRIP AND REMOVE INSULATION AS SHOWN. LEAD WIRES TO BE SOLDER DIPPED.



SEE SHEET 2 FOR WIRING COLOR CODE

- NOTES:
1. MATERIALS:
HOUSING: GLASS-FILLED THERMOPLASTIC, UL 94V-0 RATED DIMMING CONTACTS (2 OR 4) AND LINE VOLTAGE CONTACTS (3): COPPER ALLOY
 2. FINISH:
DIMMING CONTACTS (2 OR 4): NICKEL UNDERPLATE ENTIRE CONTACT 0.127 µm MIN THICK. GOLD PLATE CONTACT PAD AREA (MATING FACE SIDE ONLY) 0.76 µm MIN THICK. MATTE TIN PLATE TAB ON BOTH SIDES 0.30 µm MIN THICK. LINE VOLTAGE CONTACTS (3): TIN PLATE.
 3. LINE VOLTAGE CONDUCTORS (3):
14 AWG, 600V, 150°C RATED, COPPER 41/30 STRANDED PER UL STYLE AWM 3321.
 4. MATING INTERFACE PER ANSI C136.41-2013.
 5. OPTIONAL DIMMING CONTACTS (2) SUPPLIED.
 6. DIMMING CONDUCTORS (2 OR 4):
18 AWG, 600V, 150°C RATED, 16/30 STRANDED, PER UL STYLE AWM 3321.
 7. LINE VOLTAGE CONDUCTORS (3):
14 AWG, 600V, 105°C RATED, COPPER 41/30 STRANDED. PER UL STYLE AWM 1015.
 8. DIMMING CONDUCTORS (2 OR 4):
18 AWG, 600V, 105°C RATED, COPPER 16/30 STRANDED. PER UL STYLE AWM 1015.
 9. LUBRICATION: GOLD PLATED CONTACT PAD SURFACES OF DIMMING CONTACTS ARE LUBRICATED WITH A TRANSPARENT (NON-VISIBLE) LUBRICANT TO IMPROVE DURABILITY AND PERFORMANCE. AVOID CONTACT WITH THESE SURFACES WHICH MAY RESULT IN REMOVAL OF LUBRICANT.



341.1	304.8	-		3		-	6-2213362-2	10	
341.1	304.8	291.3	7	AND	8	4	5	5-2213362-4	10
950.7	914.4	914.4	7	AND	8	4	5	4-2213362-4	10
73.0	35.0	35.0	7	AND	8	4	5	3-2213362-4	10
1865.1	1828.8	1815.3	3	AND	6	2		3-2213362-1	10
736.3	700.0	686.5	7	AND	8	4	5	2-2213362-4	
696.3	660.0	646.5	3	AND	6	4	5	2-2213362-2	10
696.3	660.0	646.5	3	AND	6	2		2-2213362-1	
536.3	500.0	486.5	7	AND	8	4	5	1-2213362-4	
536.3	500.0	486.5	7	AND	8	2		1-2213362-3	10
536.3	500.0	486.5	3	AND	6	2		1-2213362-1	10
341.1	304.8	291.3	7	AND	8	4	5	2213362-4	
341.1	304.8	291.3	7	AND	8	2		2213362-3	
341.1	304.8	291.3	3	AND	6	4	5	2213362-2	
341.1	304.8	291.3	3	AND	6	2		2213362-1	
C	A	B	WIRE STYLE		QUANTITY OF DIMMING CONTACTS		PART NO.		
OVERALL LENGTH	WIRE LENGTH								

THIS DRAWING IS A CONTROLLED DOCUMENT.

DWN J. SHAFFER 26 JUN 2013
 CHK E. HOWARD 26 JUN 2013
 APVD E. HOWARD 26 JUN 2013

STE TE Connectivity

NAME RECEPTACLE ASSEMBLY, DIMMABLE PHOTOCONTROL

PRODUCT SPEC 108-32059
 APPLICATION SPEC 114-32115

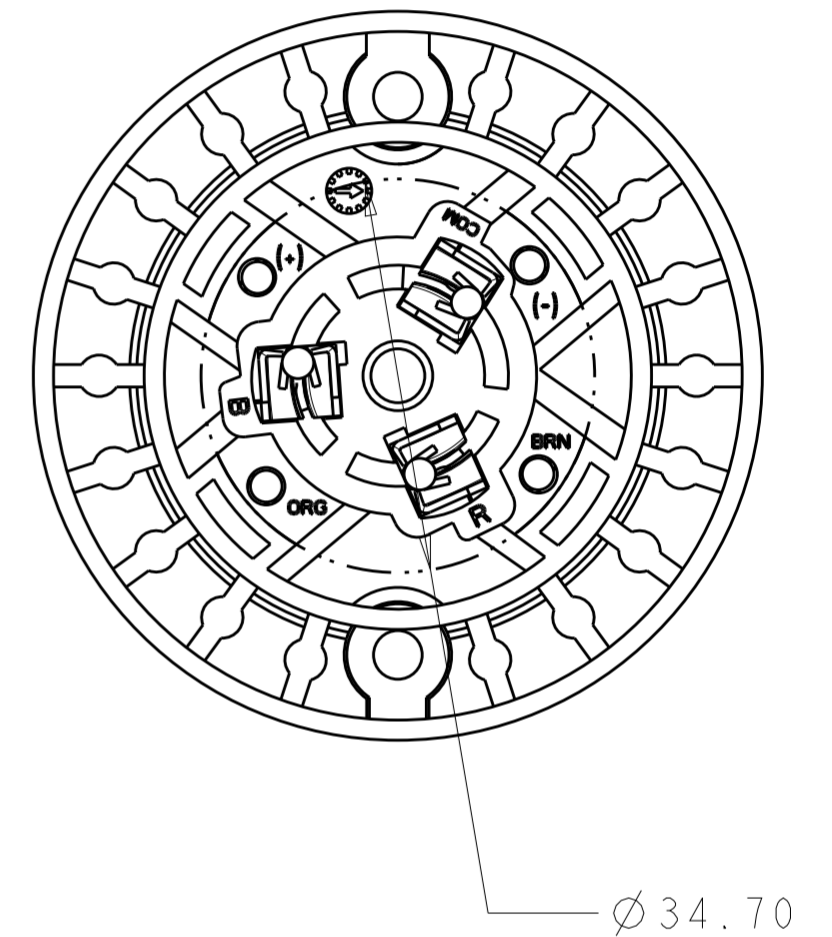
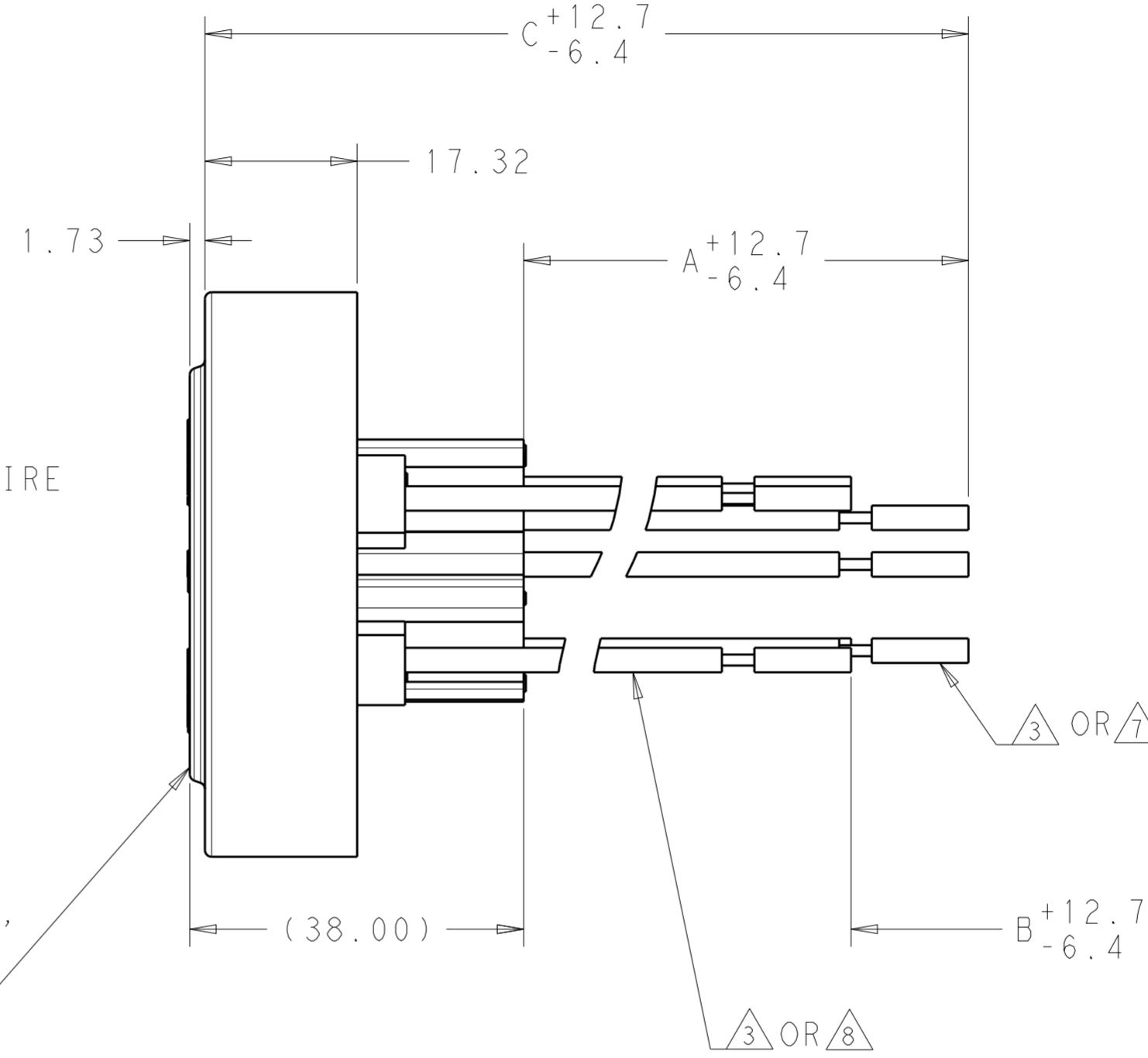
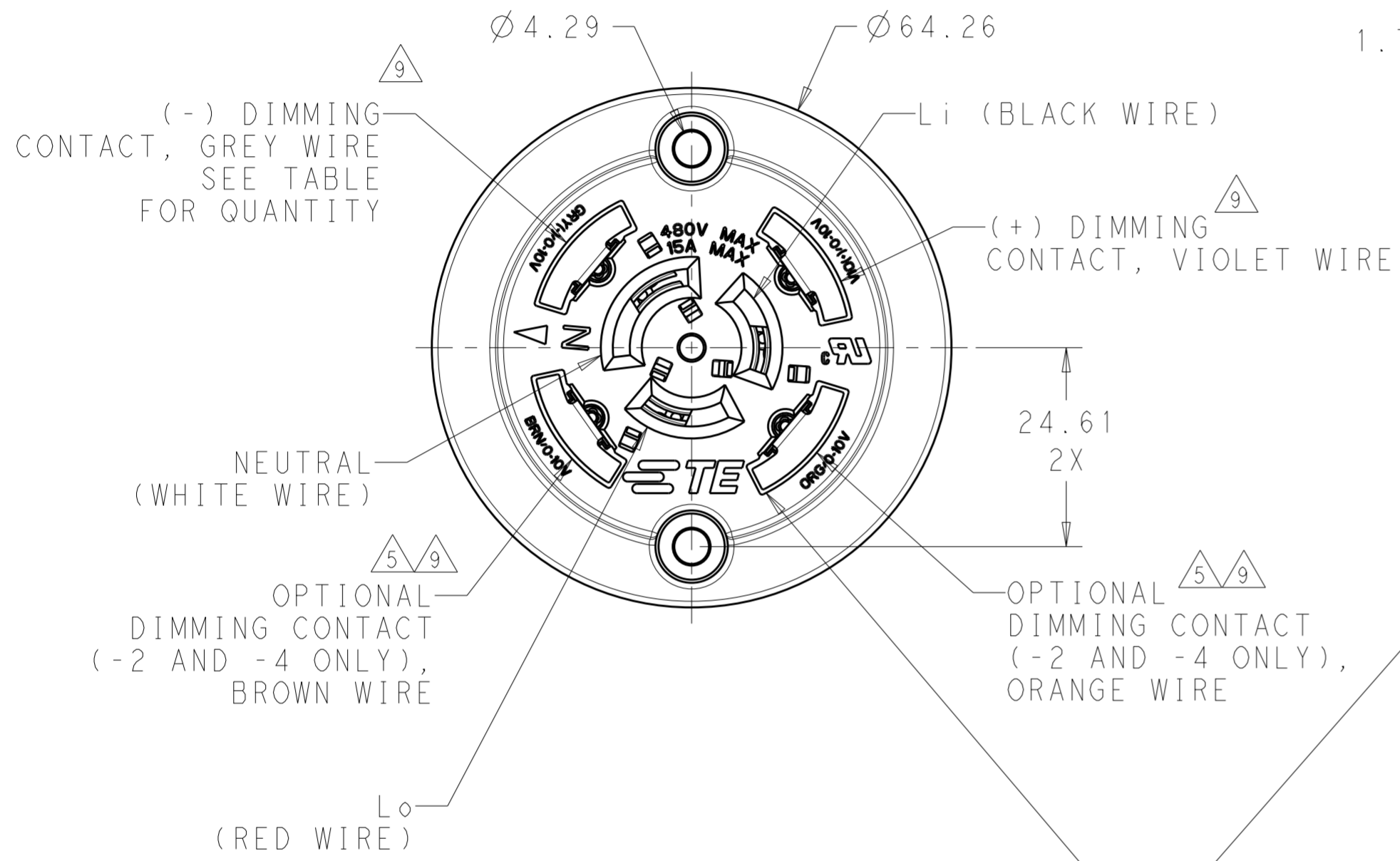
SIZE A2 CAGE CODE 00779 DRAWING NO C-2213362 RESTRICTED TO -

MATERIAL - FINISH - WEIGHT -

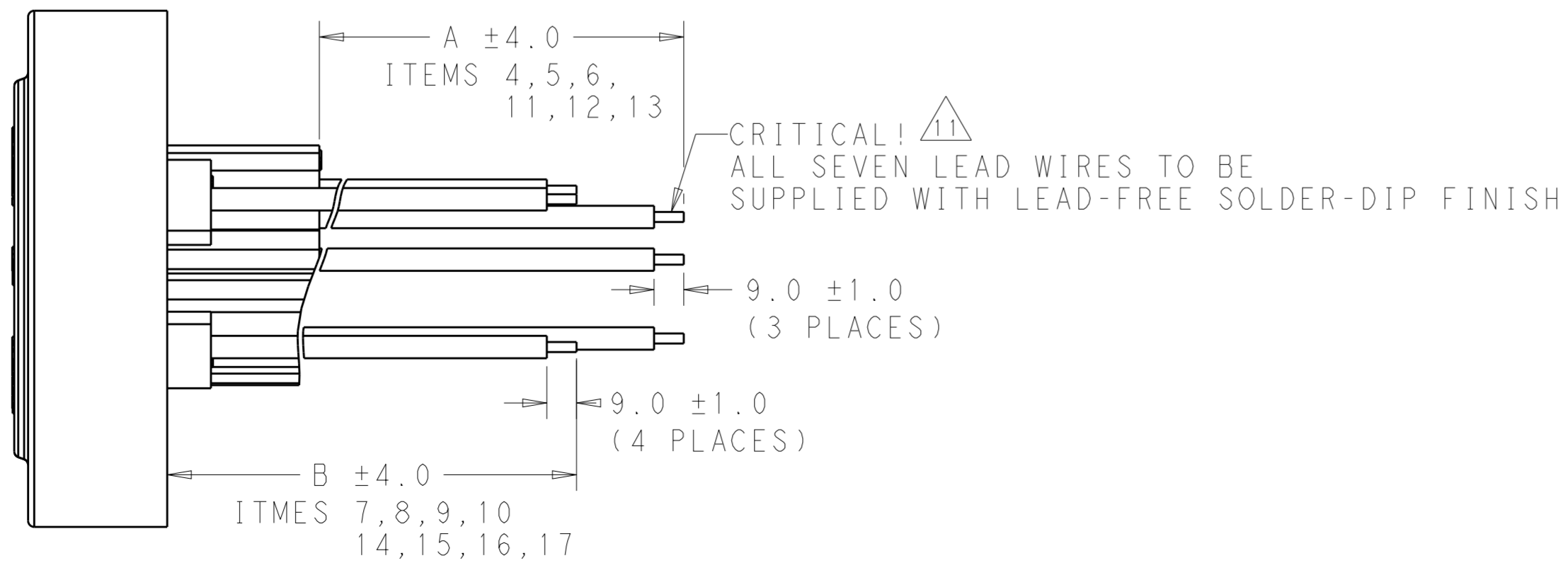
CUSTOMER DRAWING SCALE 1:1 SHEET 1 OF 2 REV A11

THIS DRAWING IS UNPUBLISHED. RELEASED FOR PUBLICATION 20
 © COPYRIGHT 20 BY - ALL RIGHTS RESERVED.

LOC		DIST		REVISIONS			
P	LTR	DESCRIPTION	DATE	DWN	APVD		
-	-	SEE SHEET 1	-	-	-		



5-2213362-4 ONLY



THIS DRAWING IS A CONTROLLED DOCUMENT.		DWN J. SHAFFER 26 JUN 2013	TE Connectivity
DIMENSIONS: mm		CHK E. HOWARD 26 JUN 2013	
TOLERANCES UNLESS OTHERWISE SPECIFIED:		APVD E. HOWARD 26 JUN 2013	NAME RECEPTACLE ASSEMBLY, DIMMABLE PHOTOCONTROL
0 PLC ±	1 PLC ±	PRODUCT SPEC 108-32059	SIZE A200779
2 PLC ±0.13	3 PLC ±	APPLICATION SPEC 114-32115	CAGE CODE C-2213362
4 PLC ±	ANGLES ±	WEIGHT -	DRAWING NO -
FINISH		CUSTOMER DRAWING	RESTRICTED TO -
		SCALE 1:1	SHEET 2 OF 2

Mouser Electronics

Authorized Distributor

Click to View Pricing, Inventory, Delivery & Lifecycle Information:

[TE Connectivity:](#)

[2213362-4](#)