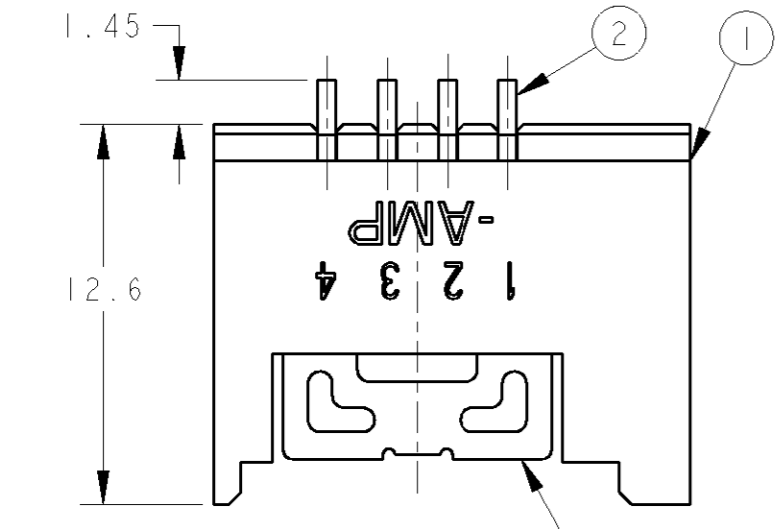


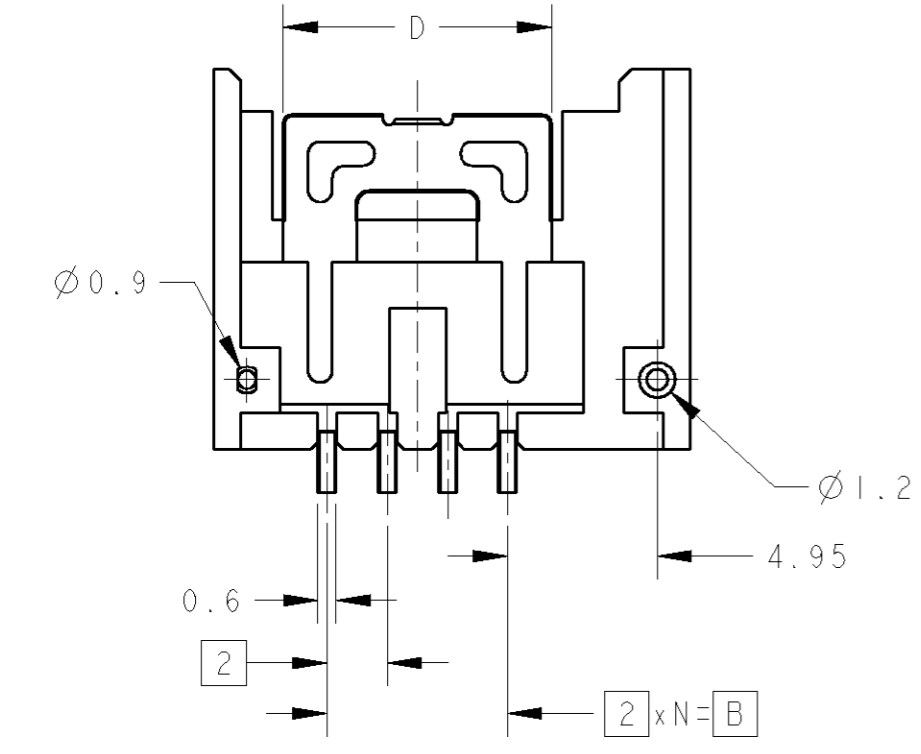
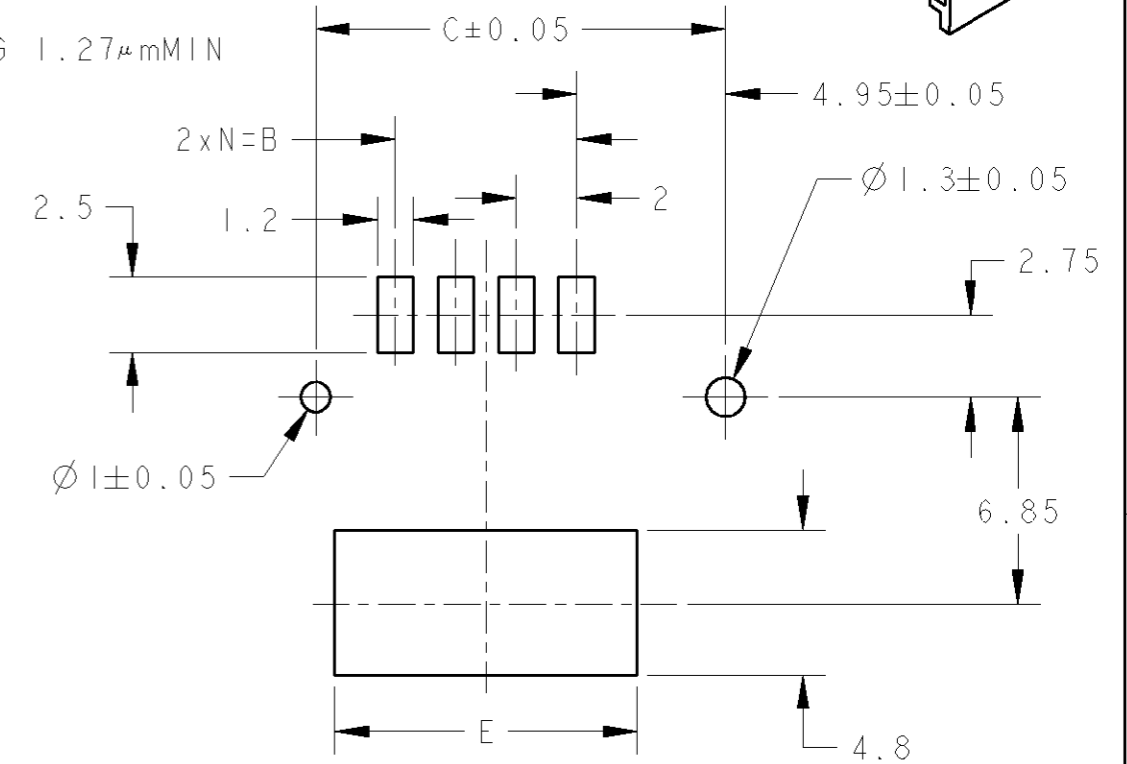
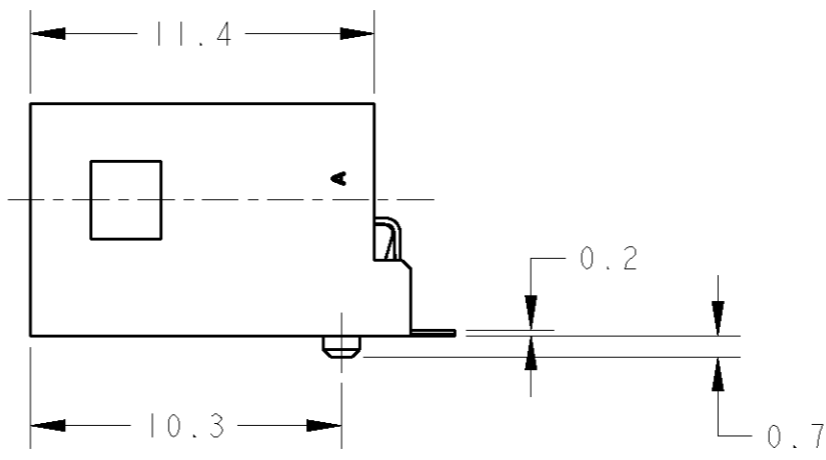
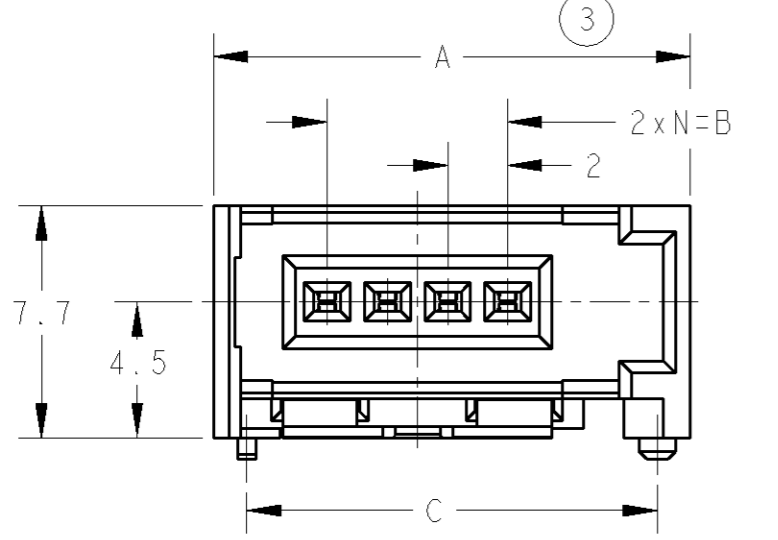
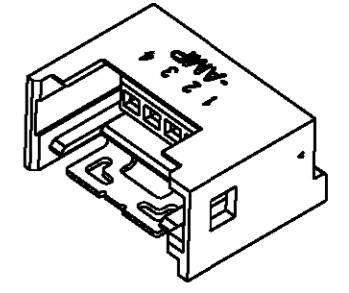
THIS DRAWING IS UNPUBLISHED. RELEASED FOR PUBLICATION
 © COPYRIGHT ALL RIGHTS RESERVED.

LOC	DIST	REVISIONS					
J	-	P	LTR	DESCRIPTION	DATE	DWN	APVD
		P		REVISED PER ECO-11-005294	20APR11	RK	HMR



1 材料及びめっき:
 コンタクト: 銅合金、下地ニッケル 1.27μm以上
 接点部: 金メッキ0.2μm以上、半田付け部: 錫メッキ1~3μm
 ハウジング: 熱可塑性樹脂
 ペグ: 銅合金、下地ニッケル 1.27μm以上
 半田付け部: 錫メッキ1~3μm

1 MATERIAL & FINISH
 CONTACT: COPPER ALLOY, UNDER Ni PLATING 1.27μmMIN
 CONTACT AREA: Au PLATING 0.2μmMIN
 TINE AREA: TIN PLATING 1~3μm
 HOUSING: THERMO PLASTIC
 SOLDER PEG: COPPER ALLOY, UNDER Ni PLATING 1.27μmMIN
 TINE AREA: TIN PLATING 1~3μm



1565994-3, 4: AS SHOWN

参考基板寸法 (実装面側)
 REFERENCE DIMENSION OF PCB (MOUNTING SIDE)

1.1g	0.95g	1.1g	0.95g	NAME	E	D	C	B	A	N	POS	ITEM
1	1	1	1	SOLDER PEG								3
4	3	4	3	HDR CONTACT								2
1				HSR HSG, 4P, W/O BOSS	10	8.9	-	6	15.8	3	4	1
	1			HDR HSG, 3P, W/O BOSS	8	6.9	-	4	13.8	2	3	1
		1		HDR HSG, 4P, WITH BOSS	10	8.9	13.6	6	15.8	3	4	1
			1	HDR HSG, 3P, WITH BOSS	8	6.9	11.6	4	13.8	2	3	1

DIMENSIONS: 単位: 概 mm		TOLERANCES UNLESS OTHERWISE SPECIFIED: 一般公差 ±0.25 0-PLC ± 1-PLC ±0.1 2-PLC ±0.01 3-PLC ±0.001 4-PLC ±0.0001 ANGLES ±3		DWN 18APR2002 M. Kimura CHR 18APR2002 Y. KASHIWA APVD 18APR2002 Y. KASHIWA PRODUCT SPEC 製品規格 108-5765 APPLICATION SPEC 取付適用規格 -		TE Connectivity	
MATERIAL 材料 SEE NOTE		FINISH 仕上 SEE NOTE		WEIGHT TABLE		NAME 名称 HDR ASSEMBLY, RIGHT ANGLE SMT TYPE RITS CONNECTOR WITH BOSS	
CUSTOMER DRAWING		SCALE 尺度 4:1		SHEET 1 of 3		RESTRICTED TO -	

4

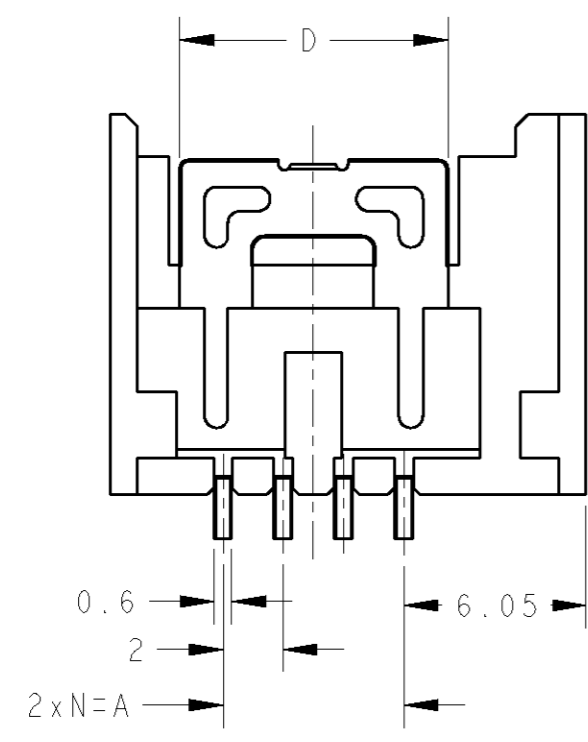
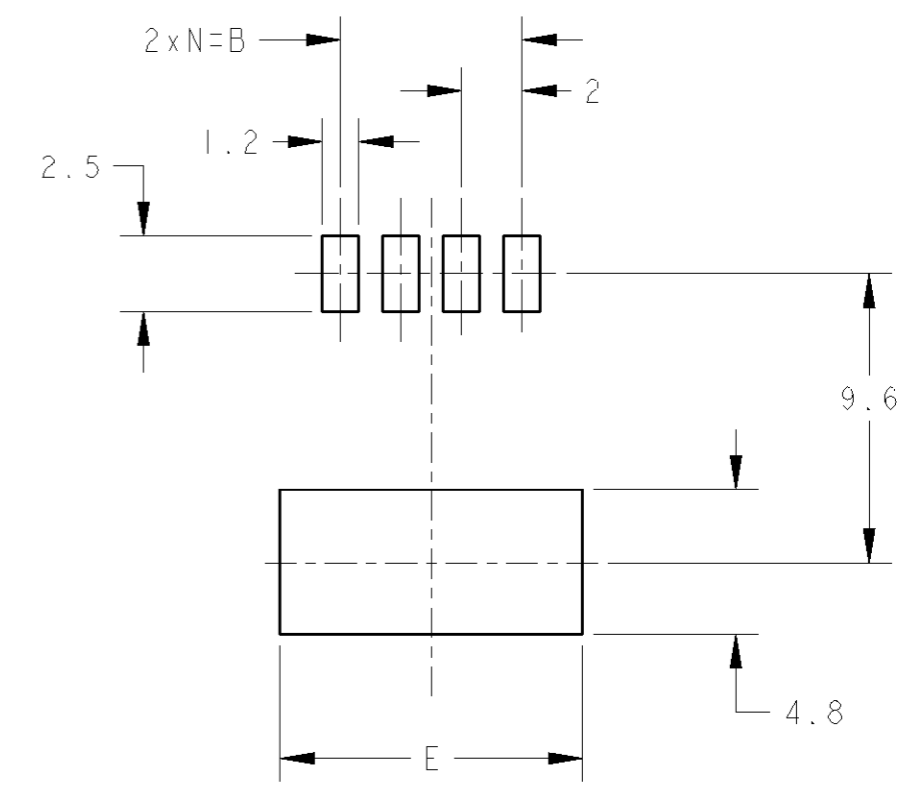
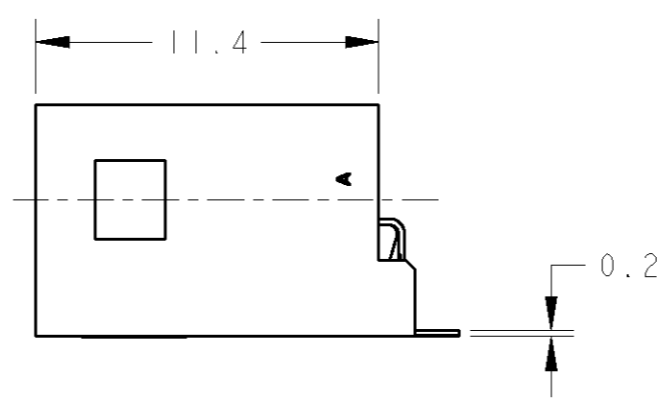
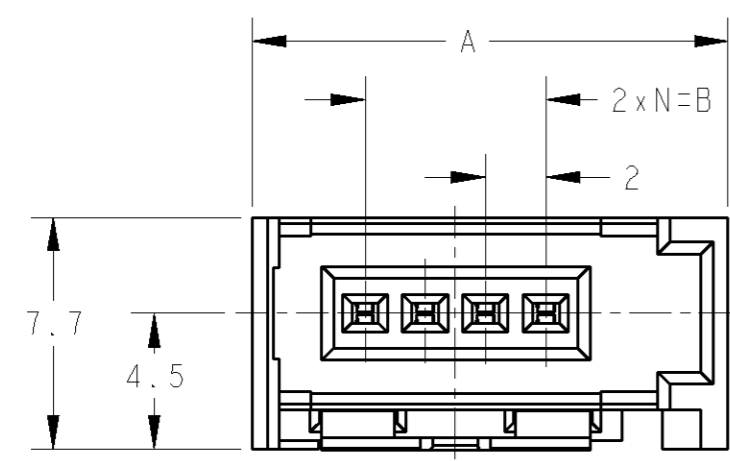
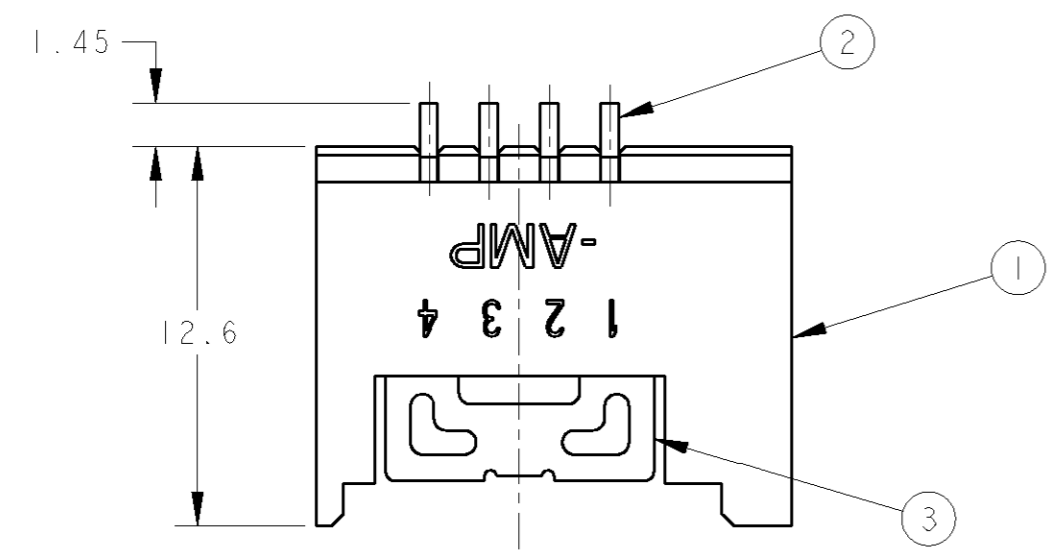
3

2

1

THIS DRAWING IS UNPUBLISHED. RELEASED FOR PUBLICATION
 © COPYRIGHT ALL RIGHTS RESERVED.

LOC	DIST	REVISIONS					
		P	LTR	DESCRIPTION	DATE	DWN	APVD
J	-	-	-	SEE SHEET 1	-	-	-



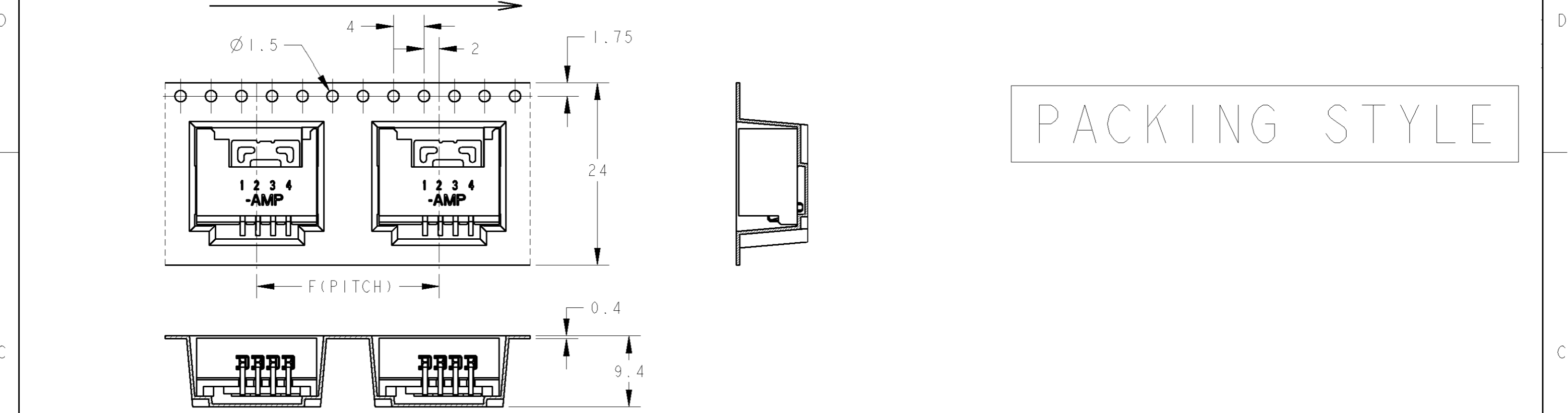
1-1565994-3, 4: AS SHOWN

参考基板寸法 (実装面側)
 REFERENCE DIMENSION OF PCB (MOUNTING SIDE)

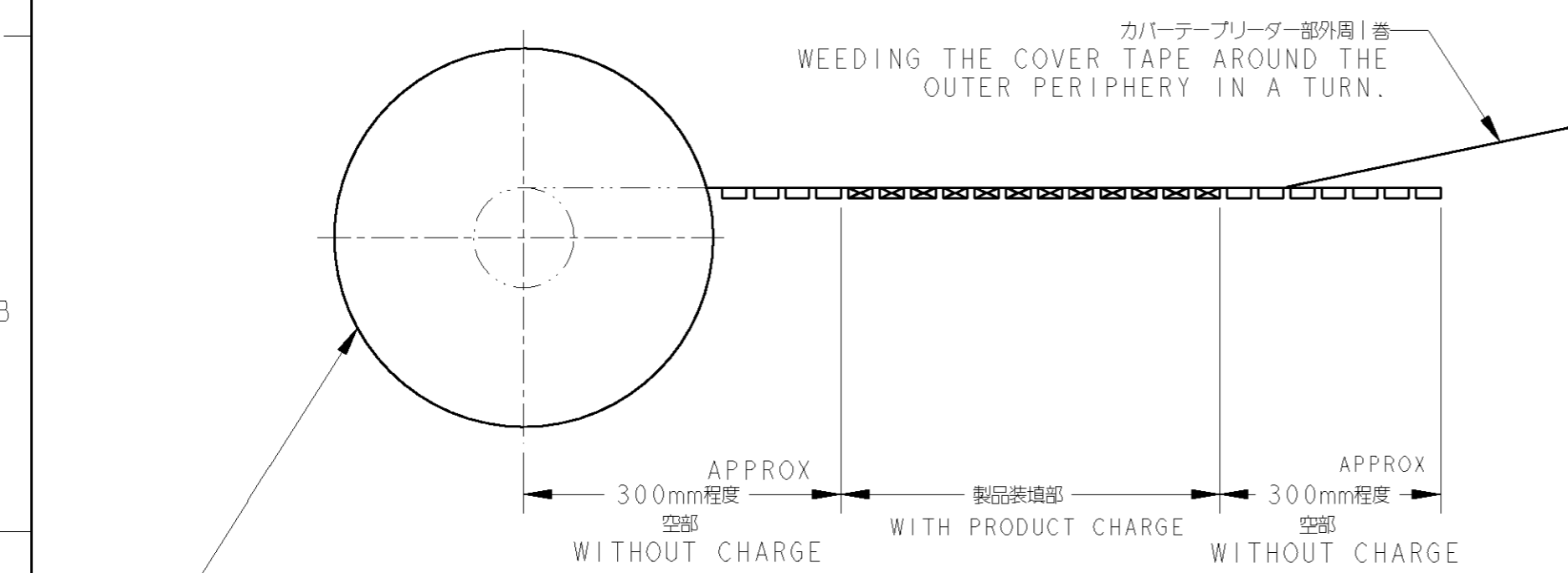
DIMENSIONS: 単位: 毫 mm		TOLERANCES UNLESS OTHERWISE SPECIFIED: 一般公差 ±0.25 0-PLC ± 1-PLC ±0.1 2-PLC ±0.01 3-PLC ±0.001 4-PLC ±0.0001 ANGLES ±3		DWN M. Kimura 18APR2002 CHR Y. KASHIWA 18APR2002 APVD Y. KASHIWA 18APR2002 PRODUCT SPEC 108-5765 APPLICATION SPEC 取付通用規格 - WEIGHT -		STE TE Connectivity	
MATERIAL 材料 -		FINISH 仕上 -		NAME 名称 HDR ASSEMBLY, RIGHT ANGLE SMT TYPE RITS CONNECTOR WITHOUT BOSS		SIZE A3 CAGE CODE 00779 DRAWING NO. 1565994 RESTRICTED TO -	
CUSTOMER DRAWING				SCALE 尺度 4:1		SHEET 2 OF 3 REV P	

THIS DRAWING IS UNPUBLISHED. RELEASED FOR PUBLICATION
 © COPYRIGHT ALL RIGHTS RESERVED.

LOC	DIST	REVISIONS					
		P	LTR	DESCRIPTION	DATE	DWN	APVD
J	-	-	-	SEE SHEET 1	-	-	-



PACKING STYLE



カバートープリーダ部外周1巻
 WEEDING THE COVER TAPE AROUND THE OUTER PERIPHERY IN A TURN.

200	4	24	1-1565994-4
250	3	20	1-1565994-3
200	4	24	1565994-4
250	3	20	1565994-3
QTY	POS	F	PART NO.

REEL SIZE:
 330DIAx80DIA(HUB)x31.5W(25.5W INSIDE)

DIMENSIONS: 単位: 耗 mm	TOLERANCES UNLESS OTHERWISE SPECIFIED: 一般公差 ±0.3 0-PLC ± 1-PLC ± 2-PLC ± 3-PLC ± 4-PLC ± ANGLES ±3	DWN M. Kimura 18APR2002		NAME 名称 HDR ASSEMBLY, RIGHT ANGLE SMT TYPE RITS CONNECTOR EMBOSS ASSY
		MATERIAL 材料 - FINISH 仕上 -		
CUSTOMER DRAWING				

Mouser Electronics

Authorized Distributor

Click to View Pricing, Inventory, Delivery & Lifecycle Information:

[TE Connectivity:](#)

[1565994-3](#)