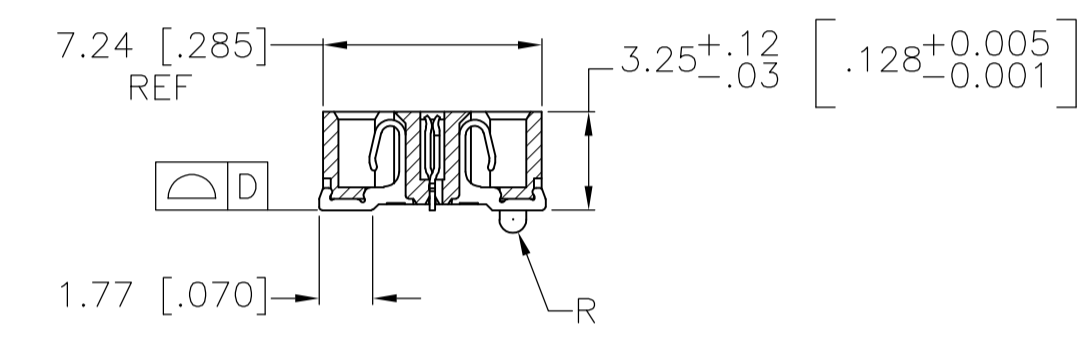
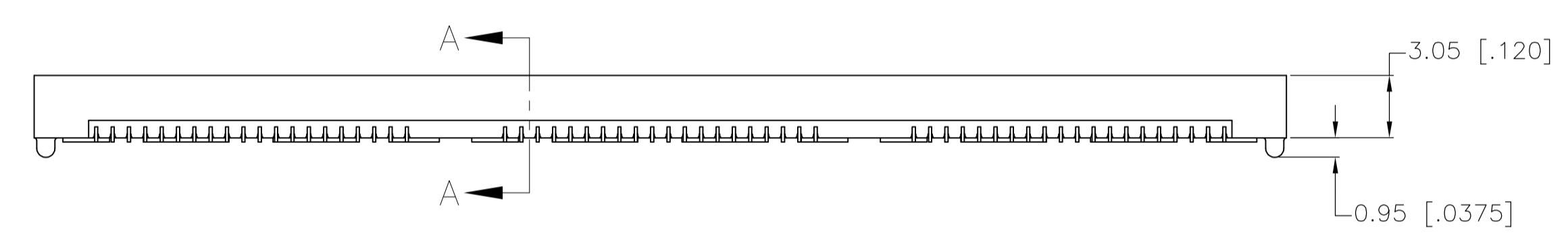
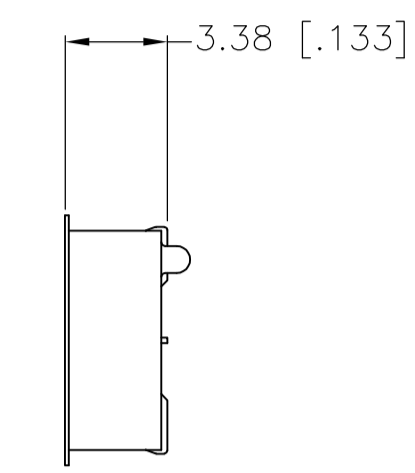
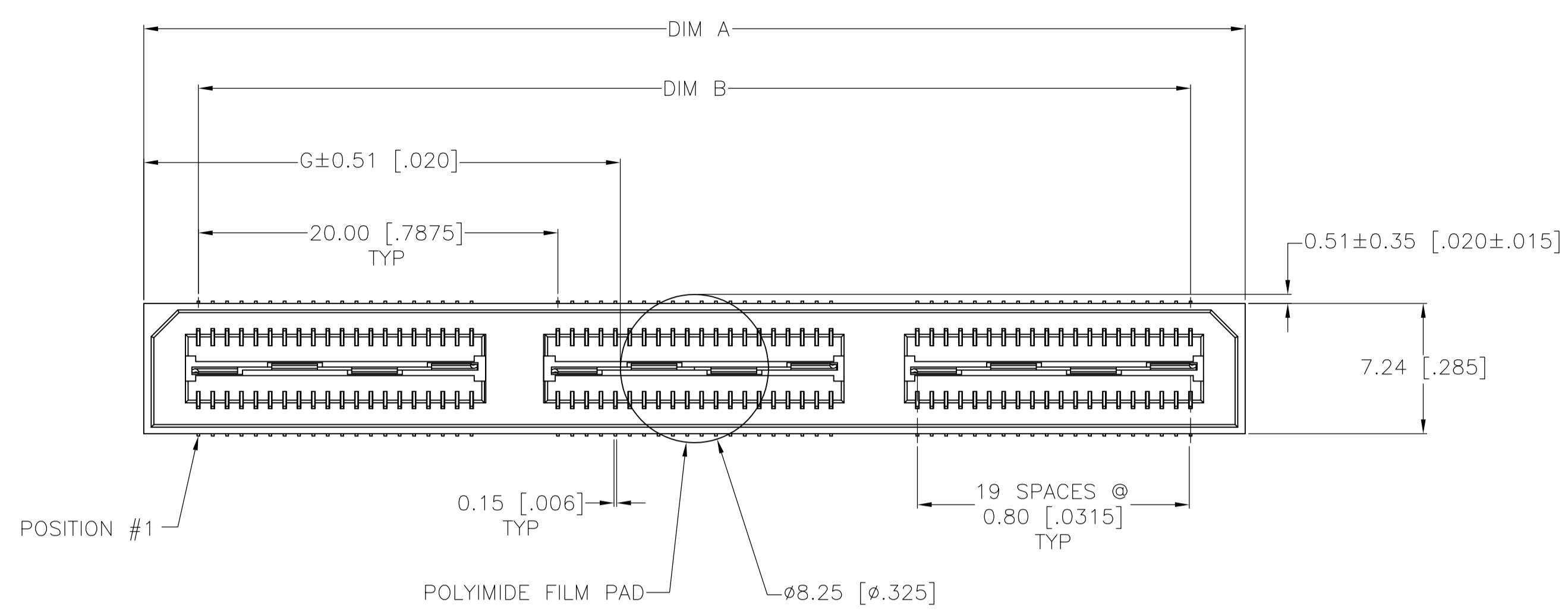
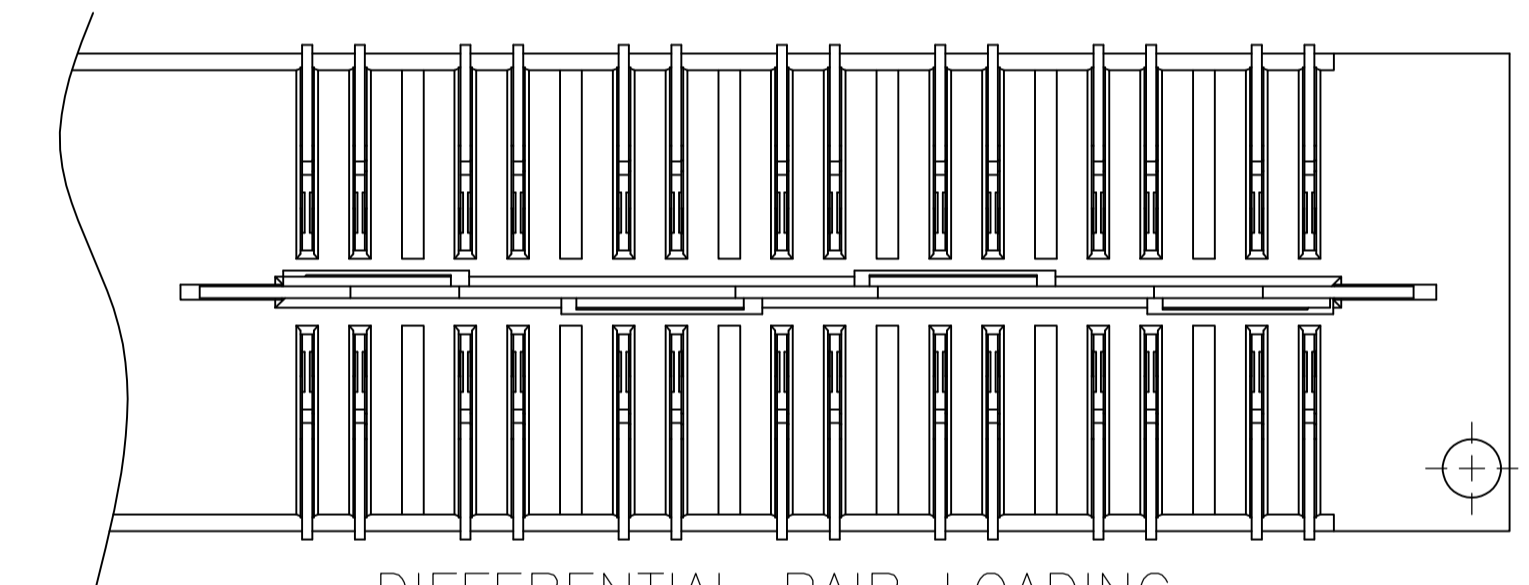
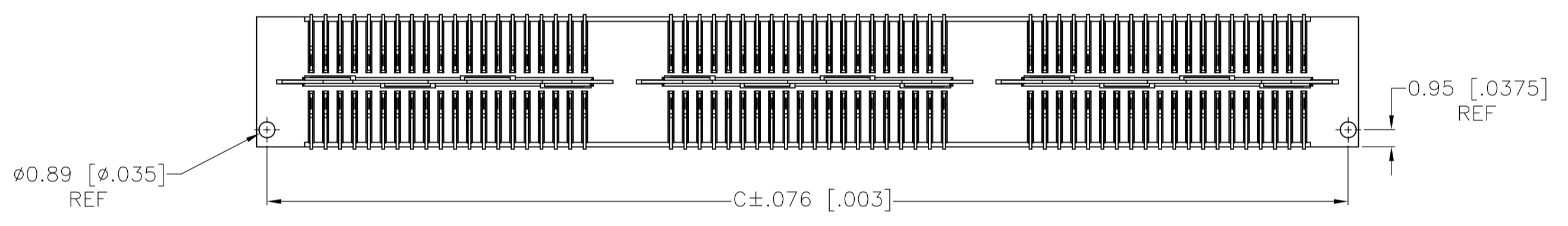


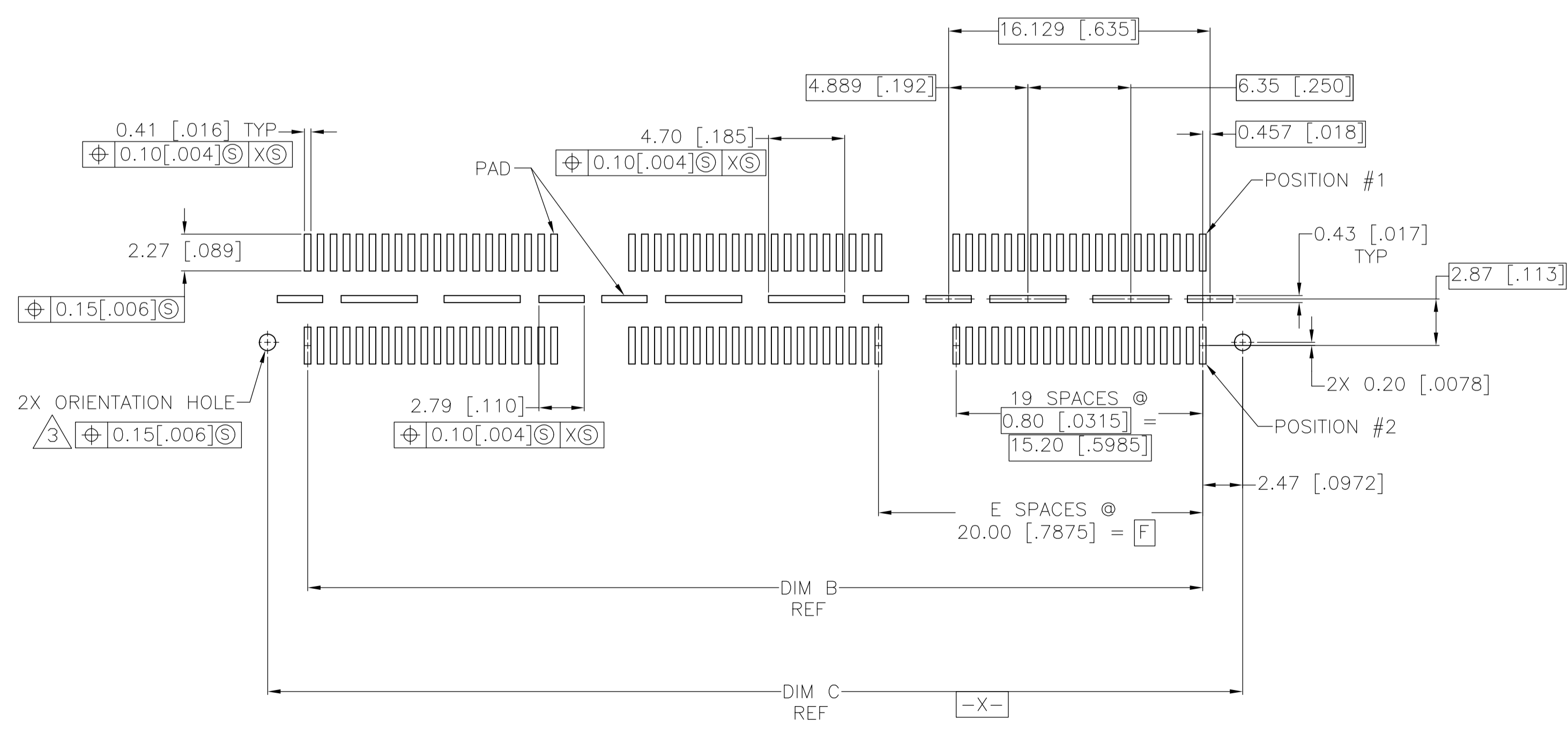
- 1 HOUSING: LCP, BLACK.
CONTACT & GROUND PLANE: PHOS BRONZE.
- 2 CONTACT PLATING: SELECT 0.25 MICROMETERS (.00010 IN) MIN. GOLD.
- 3 FOR STANDARD APPLICATIONS, ORIENTATION HOLE TO BE $\phi 1.02 [\phi 0.400]$.
- 4 OBSOLETE PARTS: OBSOLETE CIS STREAMLINING PER D.RENAUD/D.SINISI



SECTION A-A



DIFFERENTIAL PAIR LOADING (BOTTOM VIEW) SCALE 2:1



RECOMMENDED PC BOARD LAYOUT VIEWED FROM CONNECTOR SIDE

REV	DATE	DESCRIPTION	BY	APPV	NO OF POS	PART NUMBER
1	7-1658012-3	POCKET TAPE	YES	84	7-1658012-3	
2	7-1658012-1	POCKET TAPE	YES	56	7-1658012-1	
3	6-1658012-3	POCKET TAPE	NO	28	6-1658012-3	
4	6-1658012-2	POCKET TAPE	NO	120	6-1658012-2	
5	6-1658012-1	POCKET TAPE	NO	80	6-1658012-1	
6	4-1658012-3	POCKET TAPE	NO	40	4-1658012-3	
7	4-1658012-2	POCKET TAPE	YES	84	4-1658012-2	
8	4-1658012-1	POCKET TAPE	YES	56	4-1658012-1	
9	3-1658012-5	TRAY	YES	28	3-1658012-5	
10	3-1658012-4	TRAY	YES	140	3-1658012-4	
11	3-1658012-3	TRAY	YES	112	3-1658012-3	
12	3-1658012-2	TRAY	YES	84	3-1658012-2	
13	3-1658012-1	TRAY	YES	56	3-1658012-1	
14	2-1658012-5	TRAY	YES	28	2-1658012-5	
15	2-1658012-4	TRAY	NO	200	2-1658012-4	
16	2-1658012-3	TRAY	NO	160	2-1658012-3	
17	2-1658012-2	TRAY	NO	120	2-1658012-2	
18	2-1658012-1	TRAY	NO	80	2-1658012-1	
19	1-1658012-5	TRAY	NO	40	1-1658012-5	
20	1-1658012-4	TRAY	NO	140	1-1658012-4	
21	1-1658012-3	TRAY	NO	112	1-1658012-3	
22	1-1658012-2	TRAY	NO	84	1-1658012-2	
23	1-1658012-1	TRAY	NO	56	1-1658012-1	
24	1658012-5	TRAY	NO	28	1658012-5	
25	1658012-4	TRAY	NO	200	1658012-4	
26	1658012-3	TRAY	NO	160	1658012-3	
27	1658012-2	TRAY	NO	120	1658012-2	
28	1658012-1	TRAY	NO	80	1658012-1	
29				40		

THIS DRAWING IS A CONTROLLED DOCUMENT.

DIMENSIONS: mm [INCHES]

TOLERANCES UNLESS OTHERWISE SPECIFIED:

0 PL	±	
1 PL	±	0.3[.01]
2 PL	±	0.15[.005]
3 PL	±	0.05[.002]
4 PL	±	0.025[.001]
ANGLES	±	°

MATERIAL: 1 FINISH: 2

THIS DRAWING IS A CONTROLLED DOCUMENT. DIB: MCMMASTER 18OCT04. CJK: 18OCT04. APVD: D DIXON 18OCT04. NAME: RECEPACLE ASSEMBLY, VERTICAL 0.80MM CL. PRODUCT SPEC: APPLICATION SPEC. SIZE: A1. CASE CODE: 00779. DRAWING NO: 1658012. WEIGHT: 1.00779. SCALE: 4:1. SHEET: 1 OF 1. REV: M2. CUSTOMER DRAWING.

Mouser Electronics

Authorized Distributor

Click to View Pricing, Inventory, Delivery & Lifecycle Information:

[TE Connectivity:](#)

[1658012-2](#)