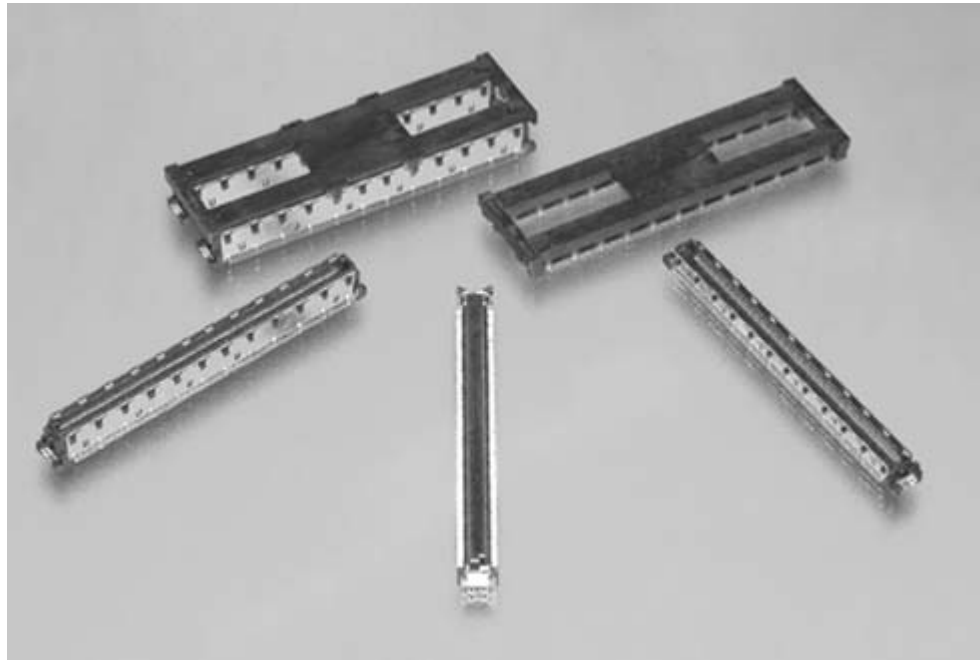




**0.5mm Free Height (FH) Connectors**

**Product Facts**

- Available position sizes:
  - For single connector: 120, 160, 200, 220, and 240 positions
  - For bridged connectors: 240, 320, and 440 positions
- Available stacking heights:
  - 5mm, 6mm, 7mm, 8mm, 9mm, 11mm, 12mm, 15mm, and 16mm (limited by position sizes)
- Giga ground shielding options on all parts
- RoHS Compliant part numbers available
- Polarized locating posts



0.5mm Free Height is a two-piece connector system designed for parallel board-to-board stacking applications. The contact system is identical to our popular 0.6mm FH product. The 0.5mm FH product has been chosen by the PICMG COM Express working group as the interface between embedded modules and carrier cards.

**Applications**

Parallel board-to-board for stacking applications that require high density. **The .5mm FH product is specified by the PICMG COM Express standard as the module to carrier card interface.** All stacking applications including Computer, Telecommunications, and Industrial industries.

**Mechanical Properties**

- Operating Temperature** — -40°C to +85°C
- Durability** — 30 cycles
- Current Rating** — 0.5A
- Voltage Rating** — 50 VAC
- Dielectric Withstanding Voltage** — 200 VAC

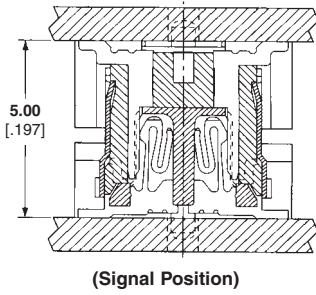
**Technical Documents**

- Product Specification**  
108-5560
- Test Reports**  
501-5226

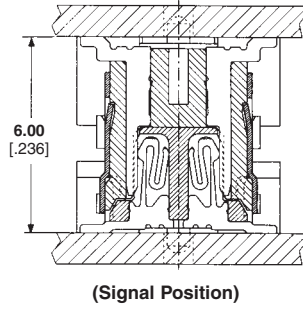
**0.5mm Free Height (FH) Connectors** (Continued)

**Board Stacking Spacing by  
Combined Receptacle and  
Plug Assemblies**

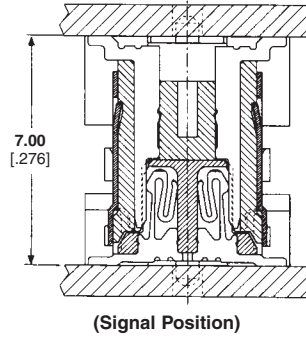
**5mm Height**



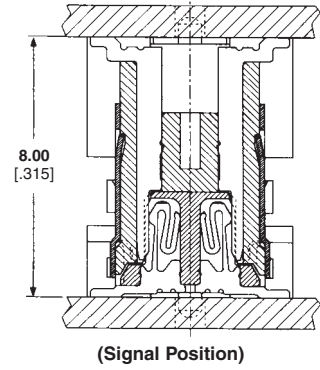
**6mm Height**



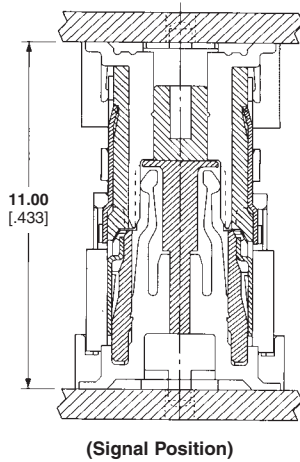
**7mm Height**



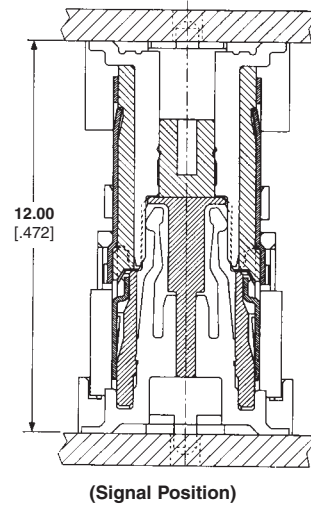
**8mm Height**



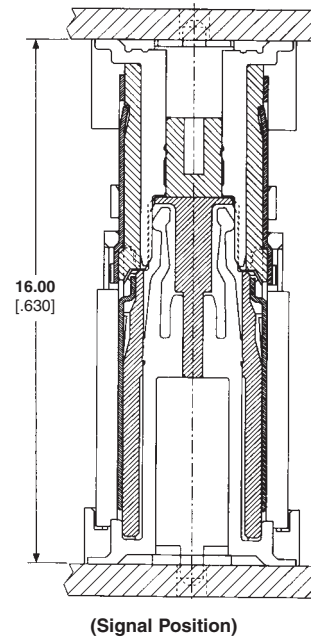
**11mm Height**



**12mm Height**



**16mm Height**



0.5mm Free Height (FH) Connectors

**0.5mm Free Height (FH) Connectors** (Continued)

**0.5 FH Height Lists**

RECEPTACLE							PLUG																
Remarks	Saleable Part No.	Packaging	SIF-200	G-Con	Type	H	Pos.	200	220	240	240	440	240	240	120	200	120	160	200	220	320	440	
with Cap	2-6473527-9	Emboss	—	—	S	4	120								7H		8H						
with Cap	3-6565778-5	Semi H/T	—	—	S	4	200	5H								7H			8H				
with Cap	6-5353606-6	Hard Tray	—	X	S	4	220		5H												8H		
	3-6318490-6	Hard Tray	—	X	S	4	220		5H												8H		
with Cap	3-6473884-7	Hard Tray	—	—	S	4	240						6H	6H									
with Cap	3-5353606-7	Hard Tray	—	X	S	4	240						6H	6H									
with Cap	3-1827231-6	Hard Tray	—	X	B	4	440					5H											8H
with Cap	5-6123675-9	Emboss	—	X	B	4	240			5H	5H												
	6-5353699-5	Hard Tray	—	X	S	8	200	9H								11H					12H		
with Cap	6-5353700-5	Hard Tray	X	X	S	8	200									11H					12H		
with Cap	6376618-1	Hard Tray	—	X	S	12	120								15H		16H						
with Cap	6-5353703-2	Tray	X	X	S	12	160											16H					
	6-5353649-2	Hard Tray	—	X	B	12	320															16H	

Stack Height(mm) = Rcpt H + Plug H - 4  
 Giga Option = G-Plate & G-Con't  
 COM Express Part Numbers  
 Type: S = Single part; B = Bridge

0.5mm Free Height (FH) Connectors

**Note:** Part Numbers are RoHS compliant.

**0.5mm Free Height (FH) Connectors (Continued)**

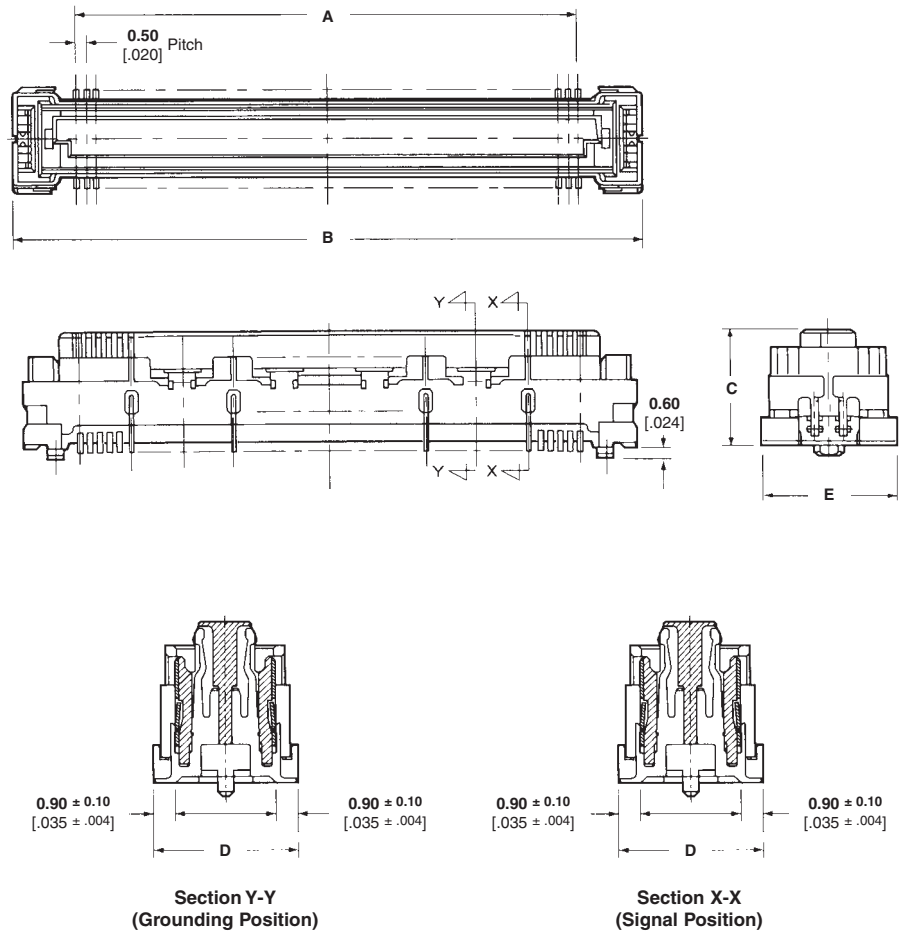
**Receptacle Assembly**

**Acceptable Board Stacking Height = 11mm/12mm**

**Material and Finish**

**Housing** — UL94V-0, heat resistant resin, natural color

**Contact** — Copper alloy, 0.2µm min. gold plated on contact area, 0.1µm tin-lead plated or tin plated on soldering area, 1.3µm min. nickel underplated on entire contact, 0.1µm thick tin plated on grounding contact.



**.5 mm FH Receptacle Assemblies**

Positions	Height	Dimensions					Ground Contact	SIF-200	With Pickup Cap	Packaging Type	Part Number
		A	B	C	D	E					
120	4	29.50 1.161	36.80 1.449	3.25 .128	6.20 .244	6.00 .236	—	—	Yes	Tape	2-6473527-9
	12	29.50 1.161	36.80 1.449	11.25 .443	6.30 .248	6.50 .256	Yes	—	Yes	Hard Tray	6376618-1
160	12	39.50 1.555	46.80 1.843	11.25 .443	6.30 .248	6.50 .256	Yes	—	Yes	Tray	6-5353703-2
200	4	49.50 1.949	56.80 2.236	3.25 .128	6.20 .244	6.00 .236	—	—	Yes	Semi H/T	3-6565778-5
	8	49.50 1.949	56.80 2.236	7.25 .285	6.30 .248	6.50 .256	Yes	—	—	Hard Tray	6-5353699-5
220	4	54.50 2.146	61.80 2.433	3.25 .128	6.20 .244	6.00 .236	Yes	—	—	Hard Tray	3-6318490-6
	4	54.50 2.146	61.80 2.433	3.25 .128	6.20 .244	6.00 .236	Yes	—	Yes	Hard Tray	6-5353606-6
	8	54.50 2.146	61.80 2.433	7.25 .285	6.30 .248	6.50 .256	Yes	Yes	Yes	Hard Tray	6-5353700-5
	4	59.50 2.343	66.80 2.630	3.25 .128	6.20 .244	6.00 .236	—	—	Yes	Hard Tray	3-6473884-7
240	4	59.50 2.343	66.80 2.630	3.25 .128	6.20 .244	6.00 .236	Yes	—	Yes	Hard Tray	3-5353606-7

**Note:** Part Numbers are RoHS compliant.

0.5mm Free Height (FH) Connectors

**0.5mm Free Height (FH) Connectors** (Continued)

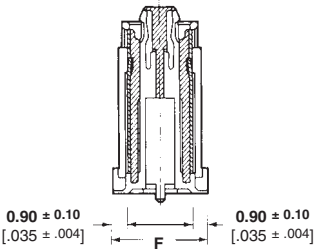
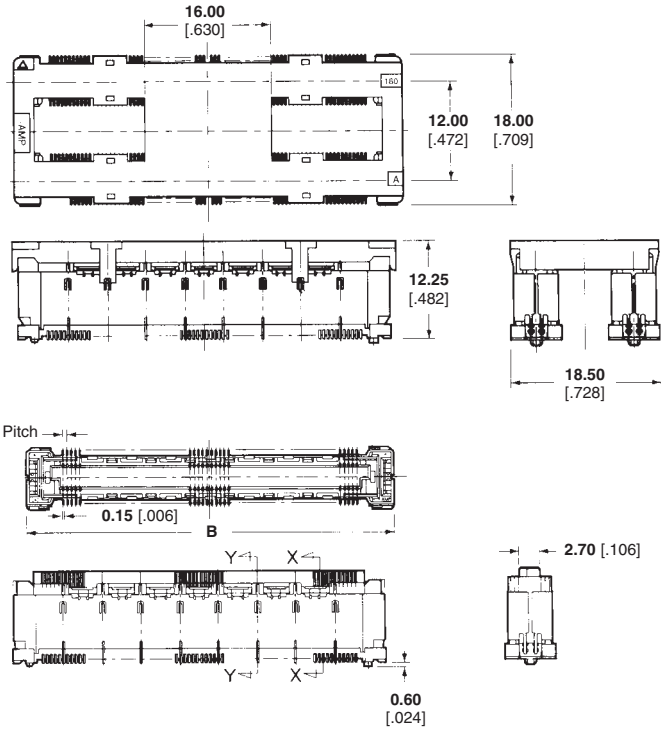
**Receptacle Assembly with Bridge**

Acceptable Board Stacking Height = 16mm

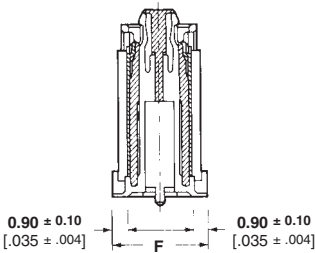
**Material and Finish**

**Housing** — UL94V-0, heat resistant resin, natural color

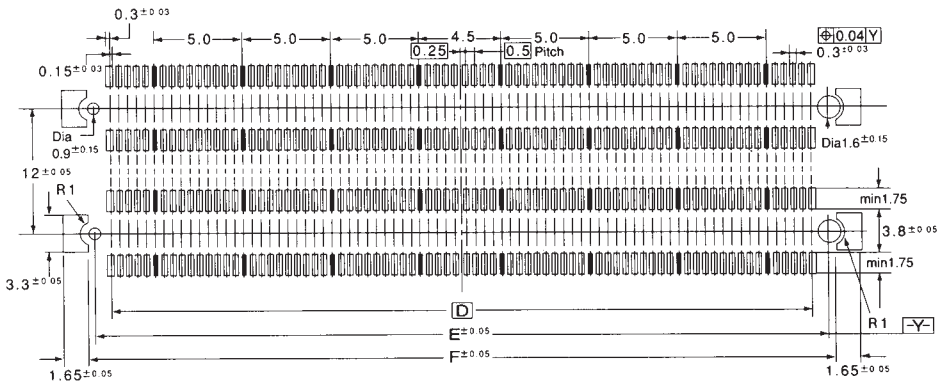
**Contact** — Copper alloy, 0.2µm min. gold plated on contact area, 0.1µm tin-lead plated or tin plated on soldering area, 1.3µm min. nickel underplated on entire contact, 0.1µm thick tin plated on grounding contact.



**Section Y-Y**  
(Grounding Position)



**Section X-X**  
(Signal Position)



**PC Board Layout**  
(# = For Grounding Contact)

**.5 mm FH Receptacle Assemblies with Bridge**

Positions	Height	Dimensions						Ground Contact	SIF-200	With Pickup Cap	Packaging Type	Part Number
		A	B	C	D	E	F					
240	4	29.50 1.161	36.80 1.449	3.25 .128	37.80 1.488	6.20 .244	6.00 .236	Yes	—	Yes	Tape	5-6123675-9
320	12	39.50 1.555	46.80 1.843	11.25 .443	47.80 1.882	6.50 .256	6.30 .248	Yes	—	Yes	Hard Tray	6-5353649-2
440	4	54.50 2.146	61.80 2.433	3.25 .128	62.80 2.472	6.20 .244	6.00 .236	Yes	—	Yes	Hard Tray	3-1827231-6

**Note:** Part Numbers are RoHS compliant.

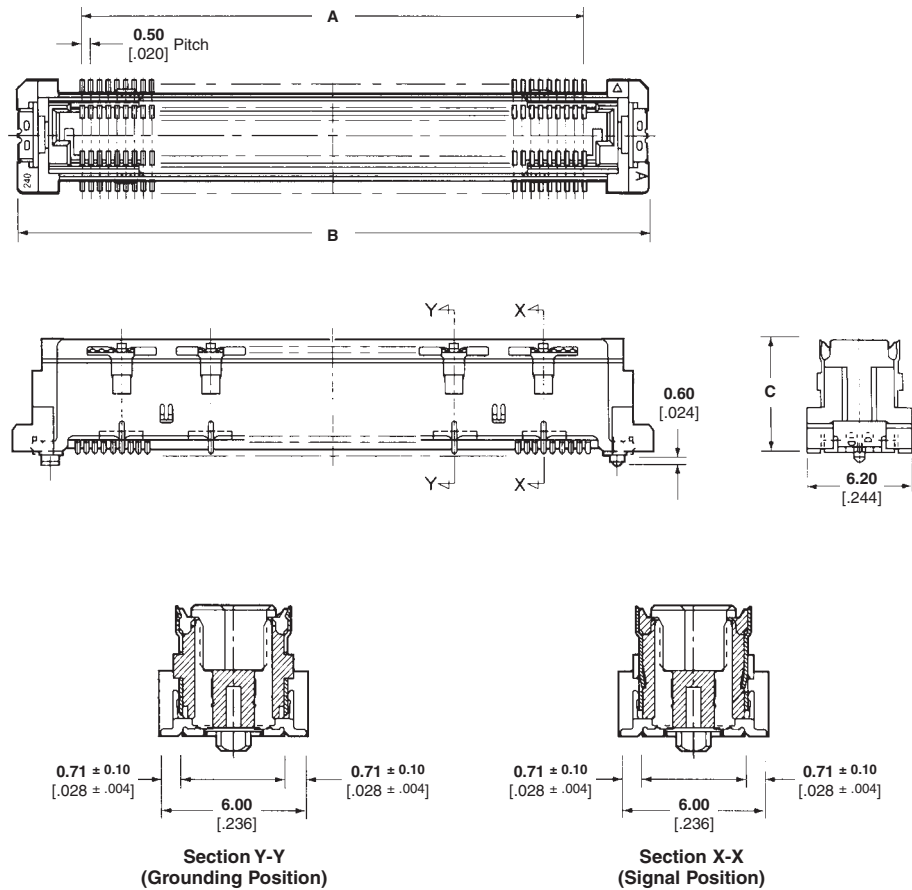
**0.5mm Free Height (FH) Connectors** (Continued)

**Plug Assembly**

**Material and Finish**

**Housing** — UL94V-0, heat resistant resin, natural color

**Contact** — Copper alloy, 0.2µm min. gold plated on contact area, 0.1µm tin-lead plated or tin plated on soldering area, 1.3µm min. nickel underplated on entire contact, 0.1µm thick tin plated on grounding contact.



**.5 mm FH Plug Assemblies**

Positions	Height	Dimensions			Giga Ground Shield	SIF-200	With Pickup Cap	Packaging Type	Part Number
		A	B	C					
120	7	29.50 1.161	36.80 1.449	6.45 .254	—	—	Yes	Tape	2-6473530-9
	8	29.50 1.161	36.80 1.449	7.45 .293	—	—	—	Hard Tray	6376622-1
160	8	39.50 1.555	46.80 1.843	7.45 .293	Yes	Yes	Yes	Hard Tray	6-5353706-2
200	5	49.50 1.949	56.80 2.236	4.45 .1175	Yes	—	Yes	Semi H/T	3-6612148-5
	7	49.50 1.949	56.80 2.236	6.45 .254	Yes	—	—	Hard Tray	6-6123766-5
220	8	49.50 1.949	56.80 2.236	7.45 .293	Yes	—	Yes	Semi H/T	3-6565779-5
	5	54.50 2.146	61.80 2.433	4.45 .1175	Yes	—	—	Hard Tray	3-1827253-6
240	8	54.50 2.146	61.80 2.433	7.45 .293	Yes	—	—	Hard Tray	3-6318491-6
	6	59.50 2.343	66.80 2.630	5.45 .215	Yes	—	Yes	Hard Tray	3-5353614-7
240	6	59.50 2.343	66.80 2.630	5.45 .215	—	—	Yes	Hard Tray	3-6473868-7

**Note:** Part Numbers are RoHS compliant.

0.5mm Free Height (FH) Connectors



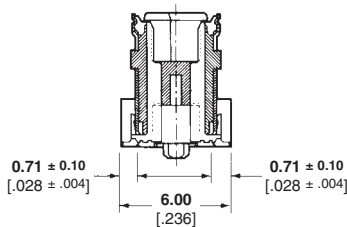
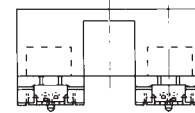
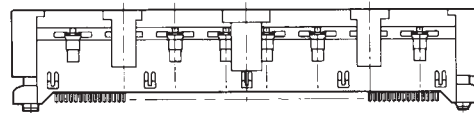
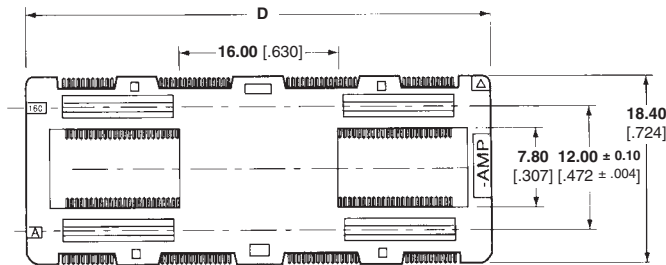
**0.5mm Free Height (FH) Connectors (Continued)**

**Plug Assembly with Bridge**

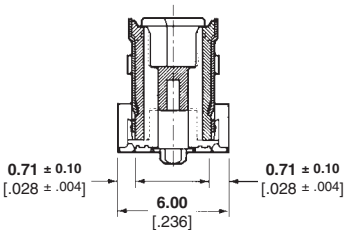
**Material and Finish**

**Housing** — UL94V-0, heat resistant resin, natural color

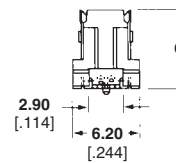
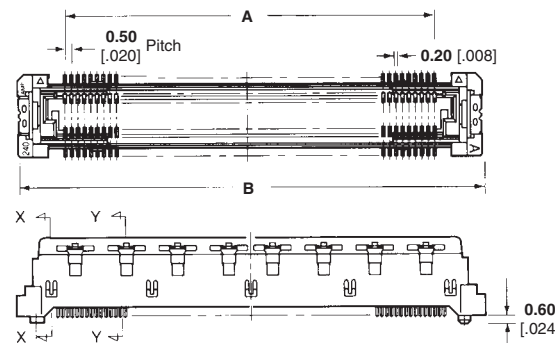
**Contact** — Copper alloy, 0.2µm min. gold plated on contact area, 0.1µm tin-lead plated or tin plated on soldering area, 1.3µm min. nickel underplated on entire contact, 0.1µm thick tin plated on grounding contact.



**Section Y-Y  
(Grounding Position)**



**Section X-X  
(Signal Position)**



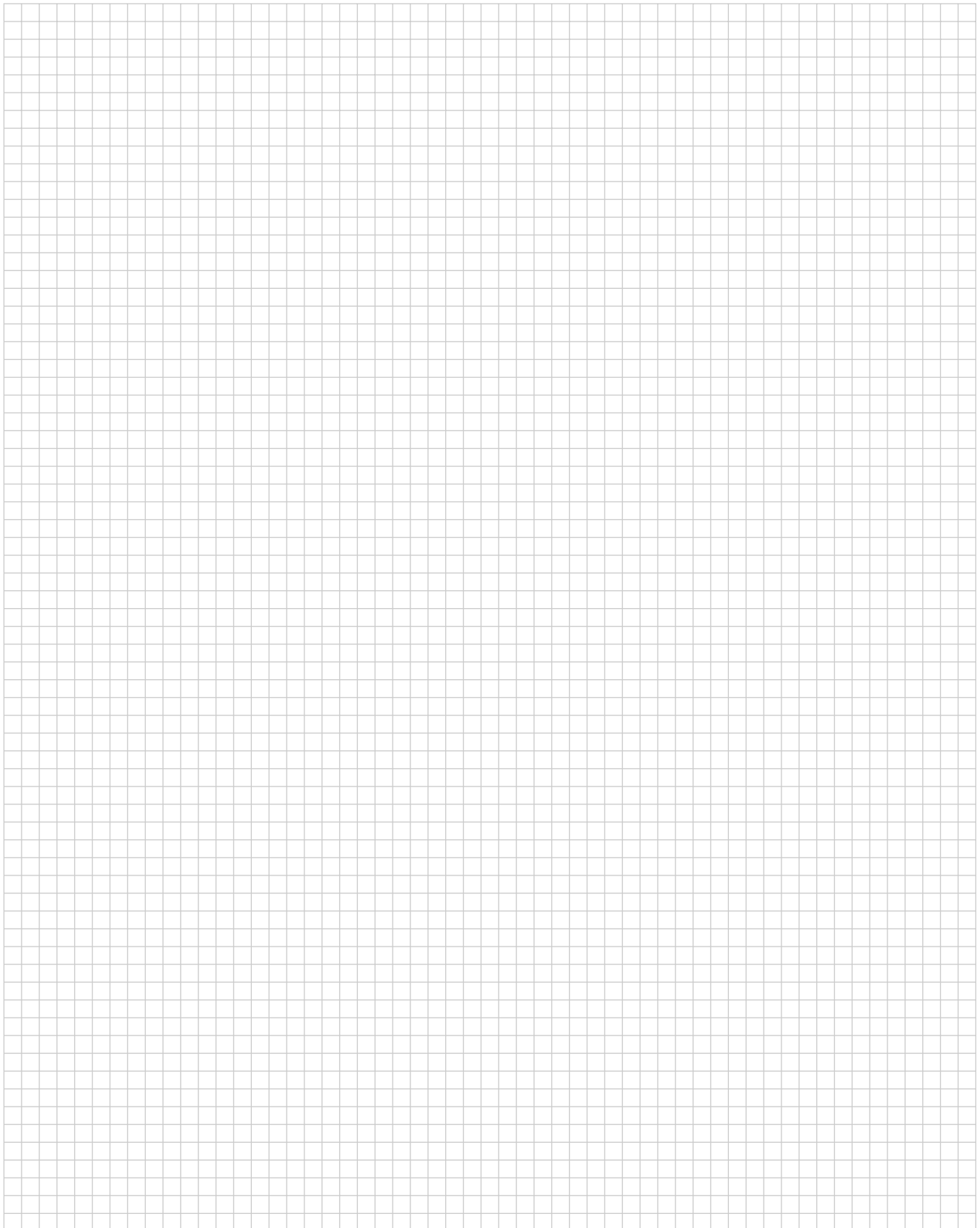
**.5 mm FH Plug Assemblies with Bridge**

Positions	Height	Dimensions				Giga Ground Shield	SIF-200	With Pickup Cap	Packaging Type	Part Number
		A	B	C	D					
240	5	29.50 1.161	36.80 1.449	4.45 .175	36.90 1.453	Yes	—	Yes	Tape	9-6123672-9
240	5	29.50 1.161	36.80 1.449	4.45 .175	36.90 1.453	Yes	—	Yes	Tape	5-6123672-9
320	8	39.50 1.555	46.80 1.843	7.45 .293	46.90 1.846	Yes	—	Yes	Hard Tray	6-5353652-2
440	5	54.50 2.146	61.80 2.433	4.45 .175	61.90 2.437	Yes	—	Yes	Hard Tray	3-1827233-6
440	8	54.50 2.146	61.80 2.433	7.45 .293	61.90 2.437	Yes	—	Yes	Hard Tray	3-5353652-6

**Note:** Part Numbers are RoHS compliant.



**Engineering Notes**



# Mouser Electronics

Authorized Distributor

Click to View Pricing, Inventory, Delivery & Lifecycle Information:

[TE Connectivity:](#)

[3-1827233-6](#)