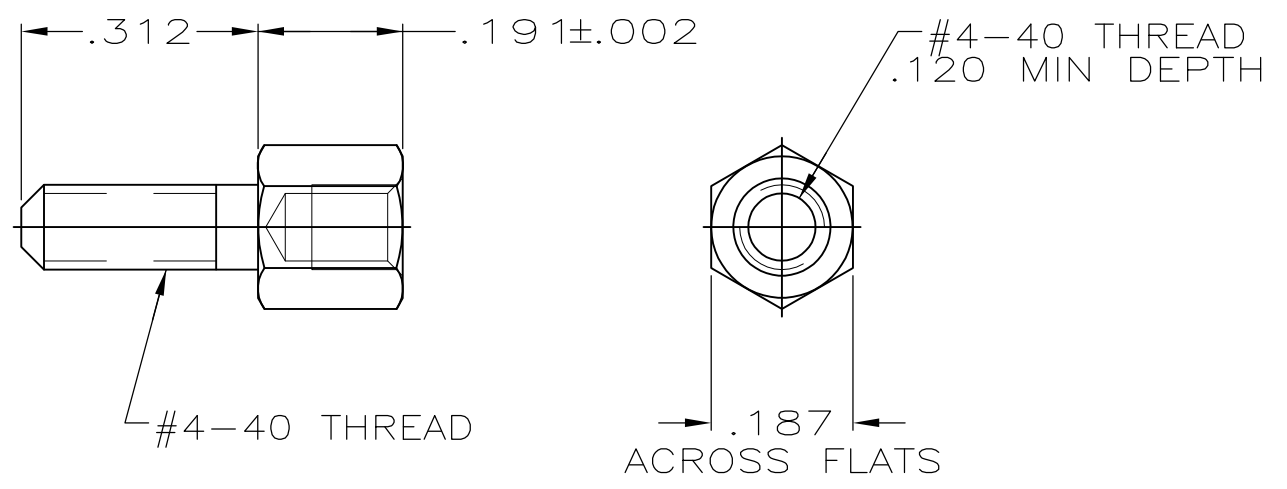


THIS DRAWING IS UNPUBLISHED. RELEASED FOR PUBLICATION
 © COPYRIGHT - By - ALL RIGHTS RESERVED.

LOC	DIST	REVISIONS			
P	LTR	DESCRIPTION	DATE	DWN	APVD
GP	00	P			
		P	REVISED PER ECO-11-004835	11MAR11	RK HMR



- 1 ZINC PLATED .000200-000400 THICK, YELLOW CHROMATE COATING.
- 2 ZINC PLATED .000200-000400 THICK, CLEAR CHROMATE COATING.

2	5205818-3
1	5205818-2
FINISH	PART NUMBER

THIS DRAWING IS A CONTROLLED DOCUMENT.		DWN R.RICHARDSON 20JUN05	TE Connectivity														
DIMENSIONS: INCHES		CHK C.ROHDE 20JUN05															
TOLERANCES UNLESS OTHERWISE SPECIFIED:		APVD M.WALMSLEY 20JUN05	NAME SCREWLOCK, FEMALE, AMPLIMITE														
<table border="1"> <tr><td>0 PLC</td><td>± -</td></tr> <tr><td>1 PLC</td><td>± -</td></tr> <tr><td>2 PLC</td><td>± -</td></tr> <tr><td>3 PLC</td><td>± .005</td></tr> <tr><td>4 PLC</td><td>± -</td></tr> <tr><td>ANGLES</td><td>± -</td></tr> </table>		0 PLC	± -	1 PLC	± -	2 PLC	± -	3 PLC	± .005	4 PLC	± -	ANGLES	± -	PRODUCT SPEC -	-		
0 PLC	± -																
1 PLC	± -																
2 PLC	± -																
3 PLC	± .005																
4 PLC	± -																
ANGLES	± -																
MATERIAL COLD ROLLED STEEL		FINISH SEE TABLE	APPLICATION SPEC -	SIZE A3	CAGE CODE 00779	DRAWING NO C-5205818	RESTRICTED TO -										
CUSTOMER DRAWING			WEIGHT -	SCALE 4:1	SHEET 1 OF 1	REV P											

Mouser Electronics

Authorized Distributor

Click to View Pricing, Inventory, Delivery & Lifecycle Information:

[TE Connectivity:](#)

[5205818-3](#)