

THIS DRAWING IS UNPUBLISHED.

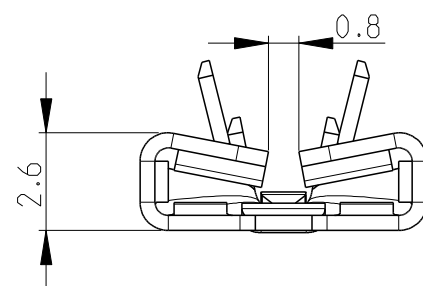
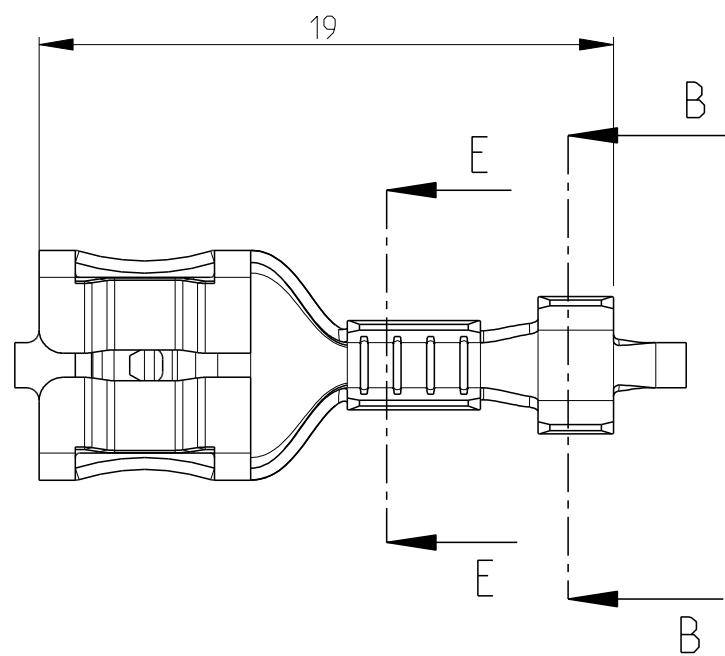
RELEASED FOR PUBLICATION

20

© COPYRIGHT 20 BY TYCO ELECTRONICS CORPORATION

ALL RIGHTS RESERVED.

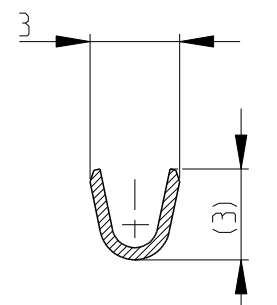
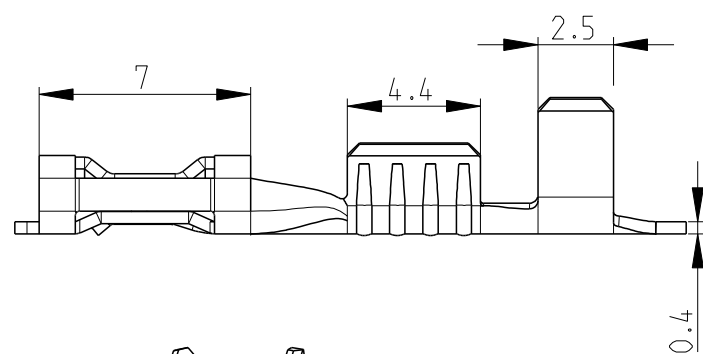
LOC	DIST	REVISIONS					
		P	LTR	DESCRIPTION	DATE	DWN	APVD
-	-	A1		RELEASE PER ECR-14-018864	24DEC2014	DL	TD
		A2		RELEASE PER ECR-15-004911	31MAR2015	DL	TD
		A3		RELEASE PER ECR-16-008480	12JUN2016	HG	TD
		A4		RELEASE PER ECR-17-017658	5DEC2017	DL	TD



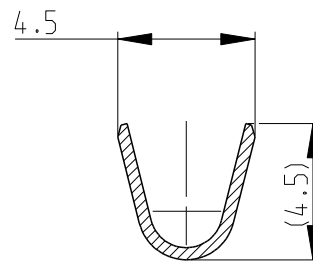
NOTE:

- CONTINUOUS STRIP ON REELS
- MATING TAB ACCORDING TO UL310 AND IEC61210 NORM. (WIDTH*THICKNESS IS 6.3*0.8mm)
- WIRE SIZE IS #20-#18 AWG(0.5-1.0 sqmm)
- INSULATION RANGE IS Ø1.8-2.5mm
- CUT-OFF TAB LENGTH IS 0.5MM MAX.

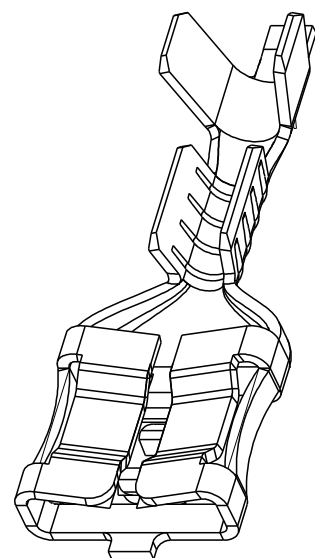
⚠ PRELIMINARY, NOT FOR PRODUCTION.




SECTION E-E



SECTION B-B



Pre-TIN	CuNiSi	⚠ 2178299-3
Pre-TIN	BRASS	⚠ 2178299-2
Pre-NICKEL	Steel	2178299-1
FINISH	MATERIAL	PART NO.

THIS DRAWING IS A CONTROLLED DOCUMENT.		DWN VIBHUTHI 19NOV2012	 TE Connectivity	
DIMENSIONS: mm		CHK SUBHASH M 19NOV2012		
TOLERANCES UNLESS OTHERWISE SPECIFIED:		APVD SURESH T N 19NOV2012	NAME 6.3 SRS F-SPRING LIF RECEPTACLE	
0 PLC ±0.5	1 PLC ±0.5	PRODUCT SPEC 108-64027	SIZE A3	CAGE CODE 00779
2 PLC ±0.25	3 PLC ±	APPLICATION SPEC 114-64027	DRAWING NO C=2178299	RESTRICTED TO -
4 PLC ±	ANGLES ±1°	WEIGHT -	SCALE 4:1	SHEET 1 OF 1
MATERIAL SEE TABLE	FINISH SEE TABLE	Customer Drawing	REV A4	

Mouser Electronics

Authorized Distributor

Click to View Pricing, Inventory, Delivery & Lifecycle Information:

[TE Connectivity:](#)

[2178299-1](#) [2178299-1 \(Cut Strip\)](#) [2178299-1 \(Mouser Reel\)](#)