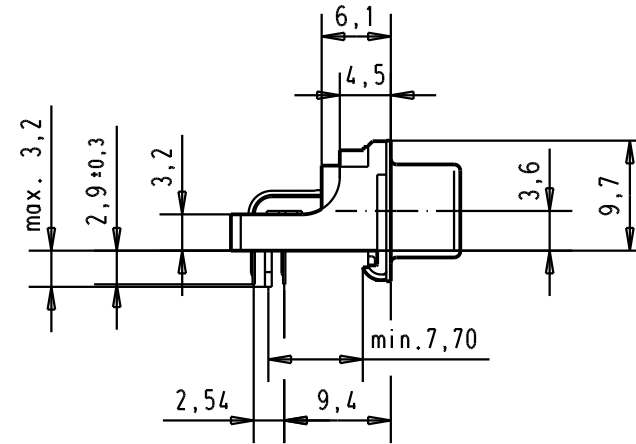
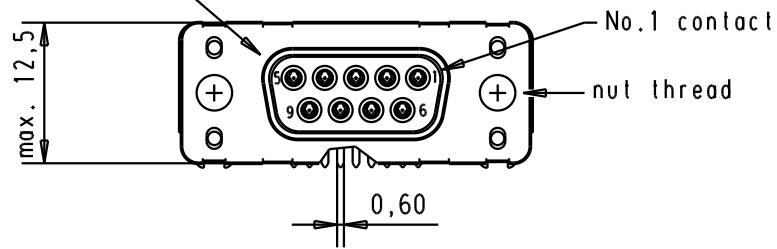
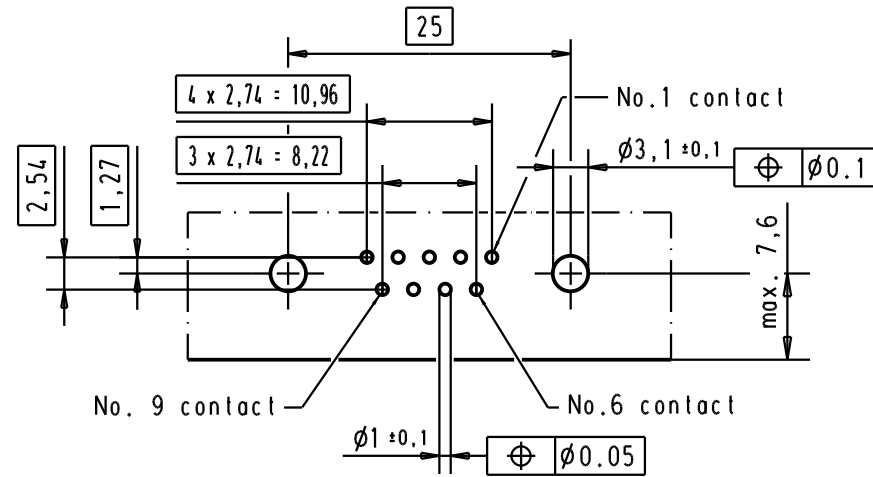
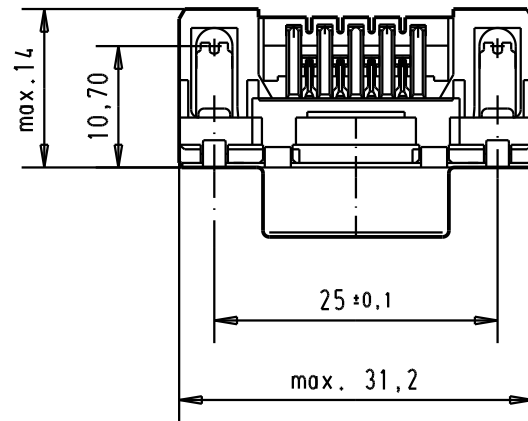




Mating face according to : MIL-C-24308 / DIN 41652 / CECC 75301-802



PCB layout hole component side



Connector retention and insertion forces on the PCB = 25 / 80 newtons

A	Part number		Nut thread		Performance level		Mod.		Dat.		Name		 All Dim. in mm Orig. Size DIN A 4	D-Sub 09 poles low profil angle female, solder pin with nut and grounding board lock.	Maßstab/ Scale 1.5:1
	Part number	Nut thread	Performance level	Mod.	Dat.	Name	Dat.	Name							
	09 66 152 3615	M 3	1												
	09 66 152 6615	M 3	2	31892	05/05/04	JH	Detail.	02/sept/00	jfb						
	09 66 152 7615	M 3	3	31084	04/SEP/02	YT	Insp.								
	09 66 152 3616	4-40 UNC	1	27961	24/nov/00	jfb	Stand.								
	09 66 152 6616	4-40 UNC	2	27952	26/oct/00	jfb									
	09 66 152 7616	4-40 UNC	3	27948	02/sept/00	jfb									
	Part number	Nut thread	Performance level	Mod.	Dat.	Name	HARTING EURL F-95972 Paris				TB 0966152x61x		Blatt/ Page 2 / 5		
													Sub.		

# Mouser Electronics

Authorized Distributor

Click to View Pricing, Inventory, Delivery & Lifecycle Information:

[HARTING:](#)

[09661526616](#) [09661526615](#) [09661527616](#)