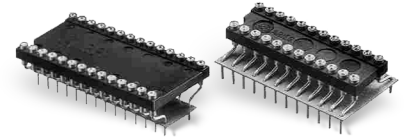




# P/Ns 1106396 & 1107254 Row-to-Row DIP Adapter Socket

## FEATURES

- Adapter Socket allows the use of 0.300 [7.62] center devices when the PCB is drilled on 0.600 [15.24] centers and vice versa, giving the flexibility of using 0.600 [15.24] or 0.300 [7.62] center devices in the same application.



## GENERAL SPECIFICATIONS

- **SOCKET BODY:** Black UL 94V-0 Glass-filled 4/6 Nylon
- **PIN BODY:** Brass 360 1/2-hard per UNS C36000, ASTM B16/B16M
- **PIN BODY PLATING:** 200µ [5.08µ] min. Sn per ASTM B545 Type 1 over 100µ [2.54µ] Ni per SAE AMS-QQ-N-290B
- **4-FINGER COLLET CONTACT:** BeCu per UNS C17200, ASTM B194-08
- **CONTACT PLATING:** 30µ [0.762µ] min. Au per MIL-G-45204 over 50µ [1.27µ] min. Ni per SAE AMS-QQ-N-290
- **CONTACT CURRENT RATING:** 3 amps
- **OPERATING TEMPERATURE:** 221°F [105°C]
- **INSERTION FORCE:** 180g/pin; based on 0.018 [0.46] dia. test lead
- **WITHDRAWAL FORCE:** 90g/pin; based on 0.018 [0.46] dia. test lead
- **NORMAL FORCE:** 140g/pin; based on 0.018 [0.46] dia. test lead
- **ACCEPTS LEADS:** 0.015-0.025 [0.38-0.64] dia., 0.110-0.150 [2.79-3.81] long

## ORDERING INFORMATION

**For 0.300 [7.62] DIP to 0.600 [15.24] PCB  
1106396-XX**

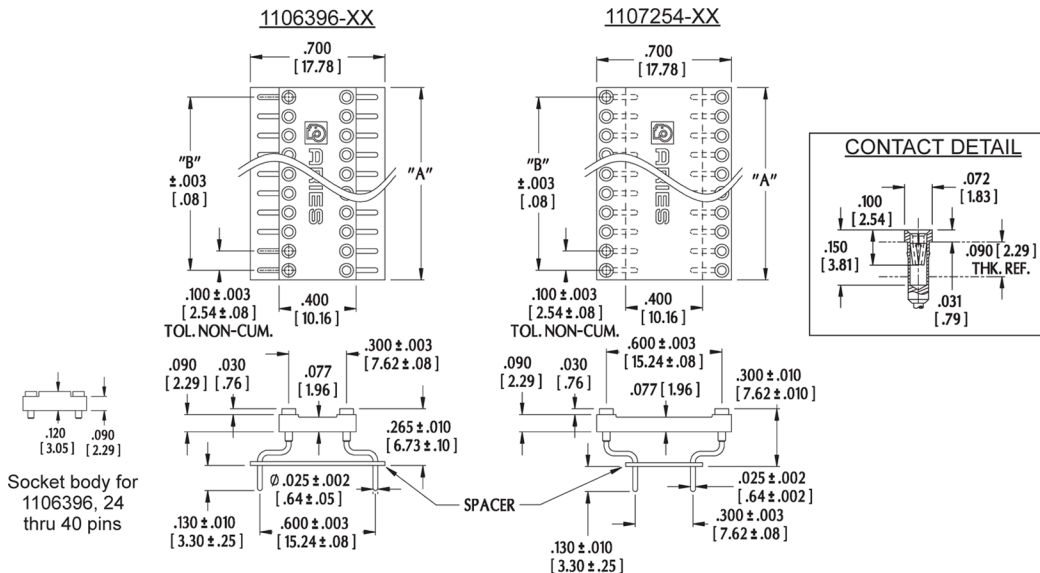
No. of Pins – (6 thru 40)

**For 0.600 [15.24] DIP to 0.300 [7.62] PCB  
1107254-XX**

No. of Pins – (6 thru 40)

## MOUNTING CONSIDERATIONS

- **SUGGESTED PCB HOLE SIZE:** 0.035 ±0.002 [0.89 ±0.05] dia.



**ALL DIMENSIONS: INCHES [MILLIMETERS]**

**ALL TOLERANCES: ±0.005 [0.13] UNLESS OTHERWISE SPECIFIED  
CONSULT FACTORY FOR OTHER SIZES AND CONFIGURATIONS**

**CUSTOMIZATION: ARIES SPECIALIZES IN CUSTOM DESIGN AND PRODUCTION.  
SPECIAL MATERIALS, PLATINGS, SIZES, AND CONFIGURATIONS CAN BE  
FURNISHED, DEPENDING ON QUANTITY.**

**ARIES RESERVES THE RIGHT TO CHANGE PRODUCT GENERAL SPECIFICATIONS  
WITHOUT NOTICE**

**PRINTOUTS OF THIS DOCUMENT MAY BE OUT-OF-DATE AND SHOULD BE  
CONSIDERED UNCONTROLLED**



**ARIES**  
ELECTRONICS, INC.

2609 Bartram Road • Bristol, PA 19007-6810 USA  
TEL 215-781-9956 • FAX 215-781-9845  
WWW.ARIESELEC.COM • INFO@ARIESELEC.COM



12030  
Rev. 2.1  
1 of 1

# Mouser Electronics

Authorized Distributor

Click to View Pricing, Inventory, Delivery & Lifecycle Information:

## Aries Electronics:

[1106396-24](#) [1106396-28](#) [1107254-24](#) [1107254-28](#) [1106396-40](#) [1106396-20](#) [1106396-16](#) [1106396-14](#) [1106396-36](#) [1106396-32](#) [1107254-20](#) [1107254-40](#) [1107254-08](#) [1107254-36](#) [1107254-32](#) [1107254-14](#) [1107254-18](#)  
[1107254-16](#)