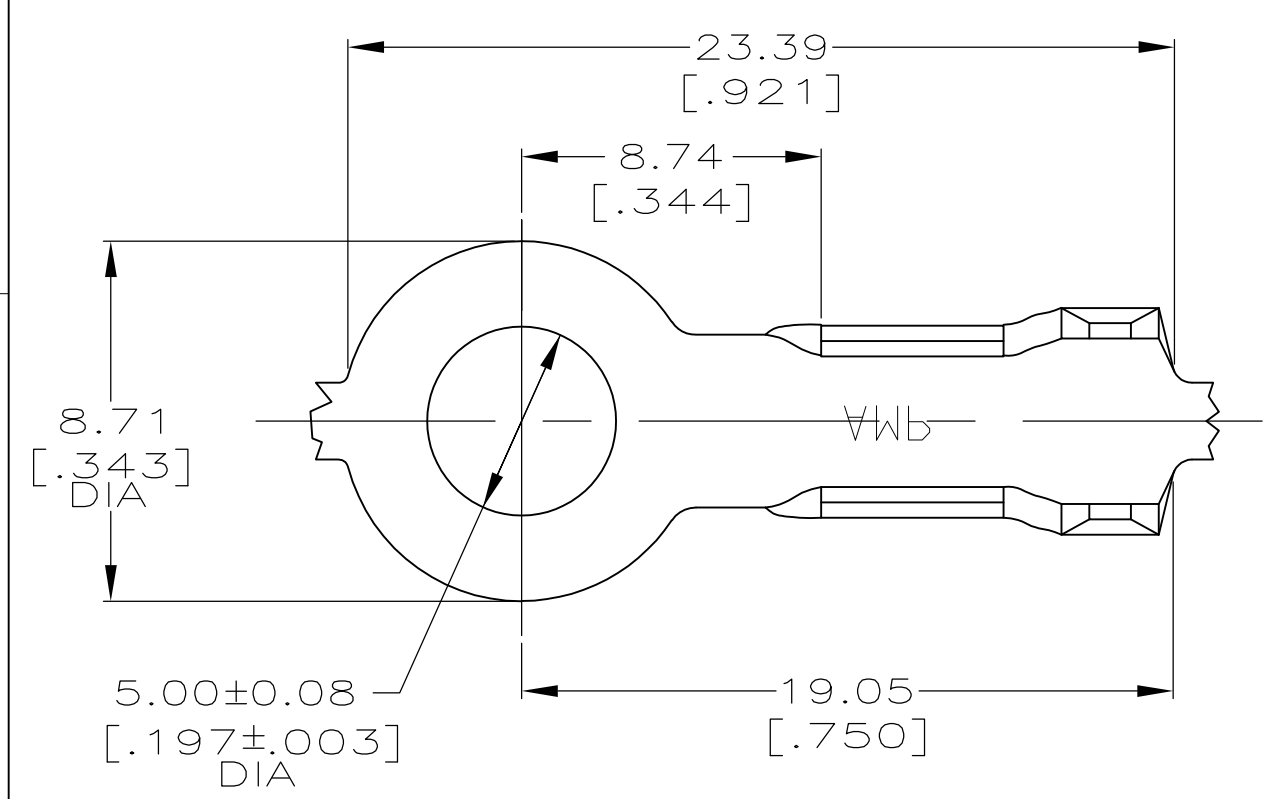
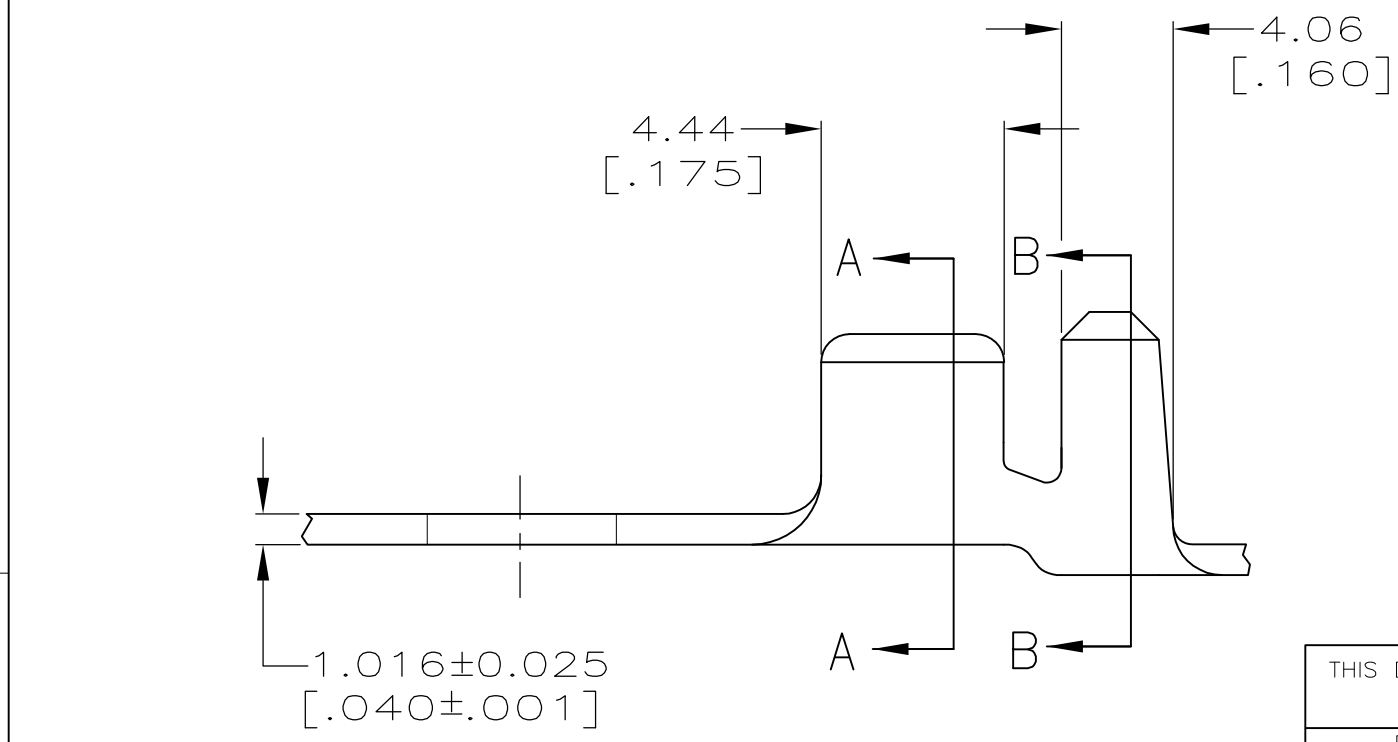
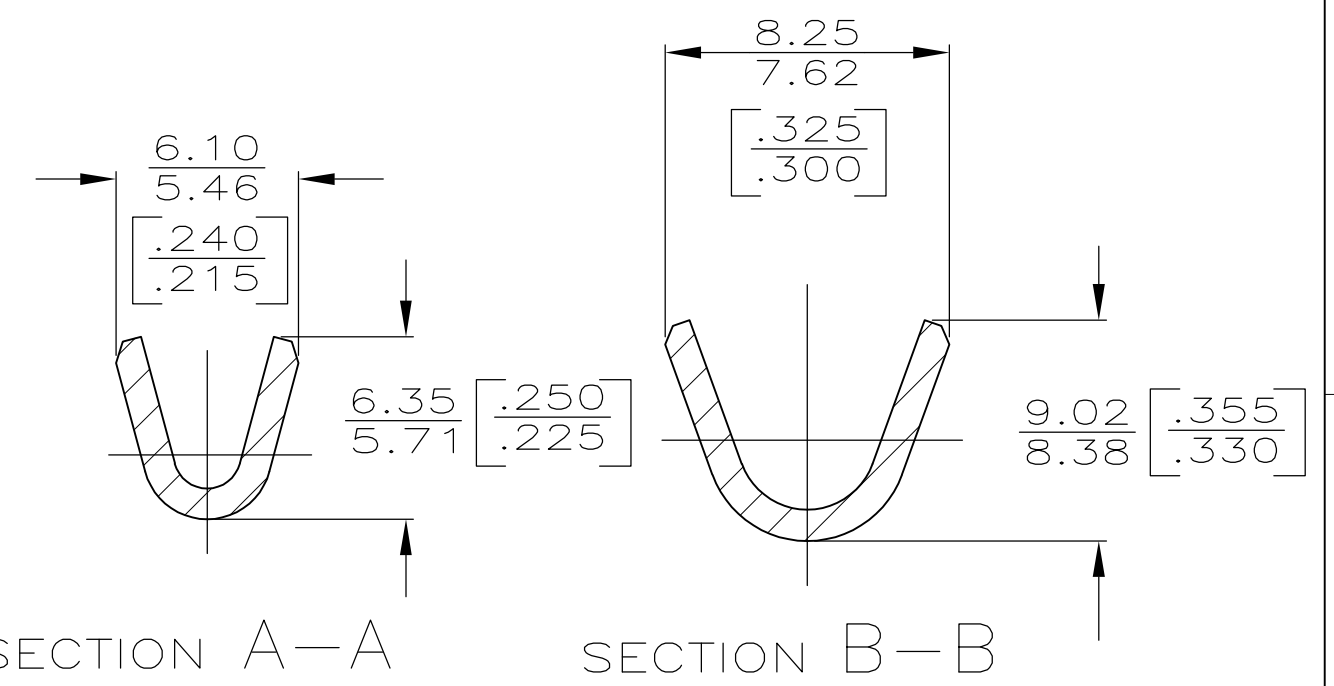


THIS DRAWING IS UNPUBLISHED. RELEASED FOR PUBLICATION
 © COPYRIGHT BY TYCO ELECTRONICS CORPORATION. ALL INTERNATIONAL RIGHTS RESERVED.

LOC	DIST	REVISIONS			
P	LTR	DESCRIPTION	DATE	DWN	APVD
AF	50	J	REVISED PER ECR-10-006099	07JUL10	HMR PD



1. CONTINUOUS STRIP ON REEL.



TIN	4.32-5.33 DIA	[12-10] AWG	42864-2
-	[.170-.210]		42864-1
FINISH	INSULATION RANGE	WIRE RANGE	PART NO

THIS DRAWING IS A CONTROLLED DOCUMENT.		DWN 27/JUN/95 PHILLIP M FORTNEY	Tyco Electronics Corporation Harrisburg, PA 17105-3608	
DIMENSIONS: mm [INCHES]		CHK 27/JUN/95 JEFF R RUTH	NAME	
TOLERANCES UNLESS OTHERWISE SPECIFIED:		APVD 27/JUN/95 GARY YETTER	RING	
0 PLC ± -		PRODUCT SPEC	SIZE	
1 PLC ± -		APPLICATION SPEC	CAGE CODE	DRAWING NO
2 PLC ± 0.38 [.015]		WEIGHT	A300779	C-42864
3 PLC ± -		CUSTOMER DRAWING	SCALE	SHEET
4 PLC ± -			5:1	1 OF 1
ANGLES ± -			REV	J
MATERIAL	FINISH	RESTRICTED TO		
082 BRASS	SEE TABLE	-		

Mouser Electronics

Authorized Distributor

Click to View Pricing, Inventory, Delivery & Lifecycle Information:

[TE Connectivity:](#)

[42864-2](#)