

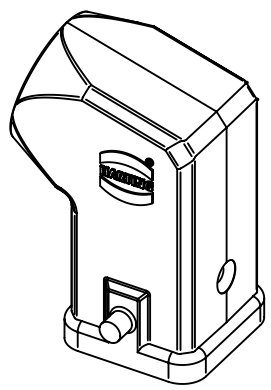
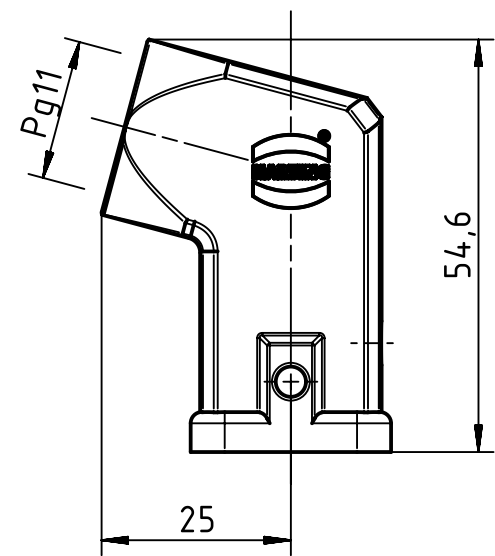
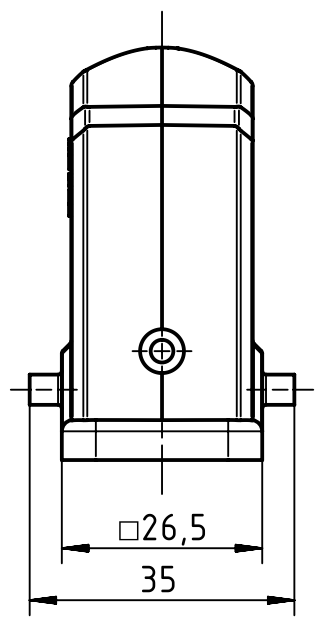
1 2 3 4 5 6


A

B

C

D



	All rights reserved Department EL PD - DE	Created by PRIESTER		Inspected by BERGHORN		Standardisation TIEMANNA		Date 2014-05-14		State Final Release	
		Title Han A Hood Angled Entry 2 Pegs PG 11 Bla								Doc-Key / ECM-Nr. 100198415/UGD/005/A 500000074473	
HARTING Electric GmbH & Co. KG D-32339 Espelkamp		Type TB		Number 09 20 003 0627				Rev. A		Page 1/1	

Mouser Electronics

Authorized Distributor

Click to View Pricing, Inventory, Delivery & Lifecycle Information:

[HARTING:](#)

[09200030627](#)