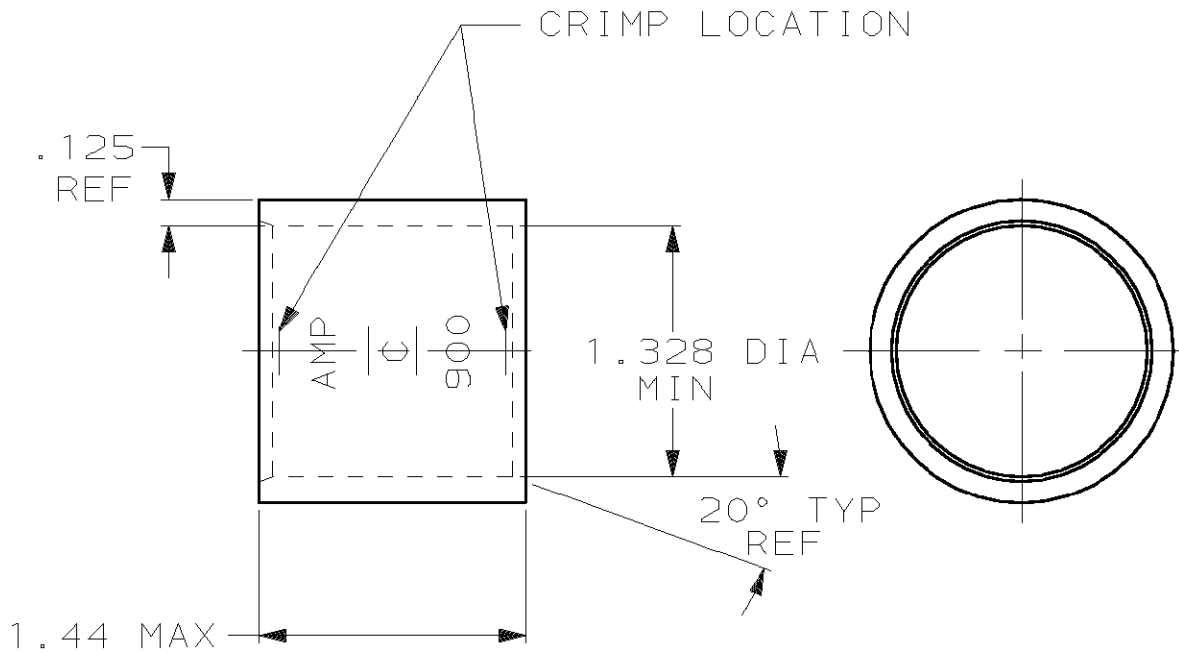




LOC G	DIST 86	P	F	REVISIONS		
		LTR		DESCRIPTION	DATE	APPROVED
		F		REV PER OG3A-0637-01	030CT02	JR/MS

1 PREPRODUCTION - FASR REQ



THIS DRAWING IS UNPUBLISHED. BY AMP INCORPORATED. ALL INTERNATIONAL RIGHTS RESERVED. © COPYRIGHT 19

850-950 MCM	CLEANED, UNPLATED	1-324455-0
	TIN PL PER ASTM B545 .000150 MIN THK	324455
RANGE	FINISH	PART NO

DO NOT SCALE PRINT. UNLESS SPECIFIED DIMENSIONS IN INCHES TOLERANCES ON: 2 PLC DEC ± - 3 PLC DEC ± - ANGLES ± -	DR 1/16/89 P FORTNEY	AMP INCORPORATED Harrisburg, Pa. 17105		
	CHK 6/20/89 MS FEHER			
	APPD 6/20/89 WJ VOCKROTH	NAME	WIRE SPLICE, PARALLEL, AMPOWER, WIRE SIZE: 900 MCM	
	APPD 6/20/89 R ADAMS	SIZE	FSCM NO	DRAWING NO
MATERIAL COPPER ASTM-B-75 ANNEALED	PRODUCT SPEC -	A	00779	324455
FINISH SEE TABLE	APPLICATION SPEC -	SCALE	1:1	SHEET
WEIGHT .263 LB.				1 OF 1



Mouser Electronics

Authorized Distributor

Click to View Pricing, Inventory, Delivery & Lifecycle Information:

[TE Connectivity:](#)

[324455](#)