

Cover profile carrier - AP 3-TU - 5022656

Please be informed that the data shown in this PDF Document is generated from our Online Catalog. Please find the complete data in the user's documentation. Our General Terms of Use for Downloads are valid (<http://phoenixcontact.com/download>)




Cover profile carrier for mounting on NS 32 or NS 35/7.5 DIN rail for attaching the cover profile AP 3.2 mm thick

Product Features

- Large-surface labeling with AP-ES insert strips
- Cover profiles provide protection against unauthorized actuation of terminal strips



Key Commercial Data

Packing unit	1 pc
Minimum order quantity	50 pc
GTIN	 4 017918 095253
Weight per Piece (excluding packing)	9.38 g
Custom tariff number	85389099
Country of origin	Germany

Technical data

Dimensions

Length (b)	89 mm
Width (a)	2.1 mm
Height	80 mm

General

Color	gray
Flammability rating according to UL 94	V2
Material	PA

Standards and Regulations

Cover profile carrier - AP 3-TU - 5022656

Technical data

Standards and Regulations

Flammability rating according to UL 94	V2
--	----

Classifications

eCl@ss

eCl@ss 4.0	24190219
eCl@ss 4.1	24190219
eCl@ss 5.0	27141137
eCl@ss 5.1	27141137
eCl@ss 6.0	27141137
eCl@ss 7.0	27144001
eCl@ss 8.0	27141190
eCl@ss 9.0	27141190

ETIM

ETIM 2.0	EC001031
ETIM 3.0	EC001031
ETIM 4.0	EC000007
ETIM 5.0	EC002848

UNSPSC

UNSPSC 6.01	30211923
UNSPSC 7.0901	27121703
UNSPSC 11	27121703
UNSPSC 12.01	27121703
UNSPSC 13.2	27121703

Accessories

Accessories

Cover profile

Cover profile - AP 3 METER - 5022643



Cover profile, for covering terminal strips, snaps onto cover profile carrier AP 3-TU, AP 3-TNS 35, can be marked with insert strip AP-ES. Cover profile carriers should be placed at the ends and at intervals of approx. 40 cm. Length: 1 m

Cover profile carrier - AP 3-TU - 5022656

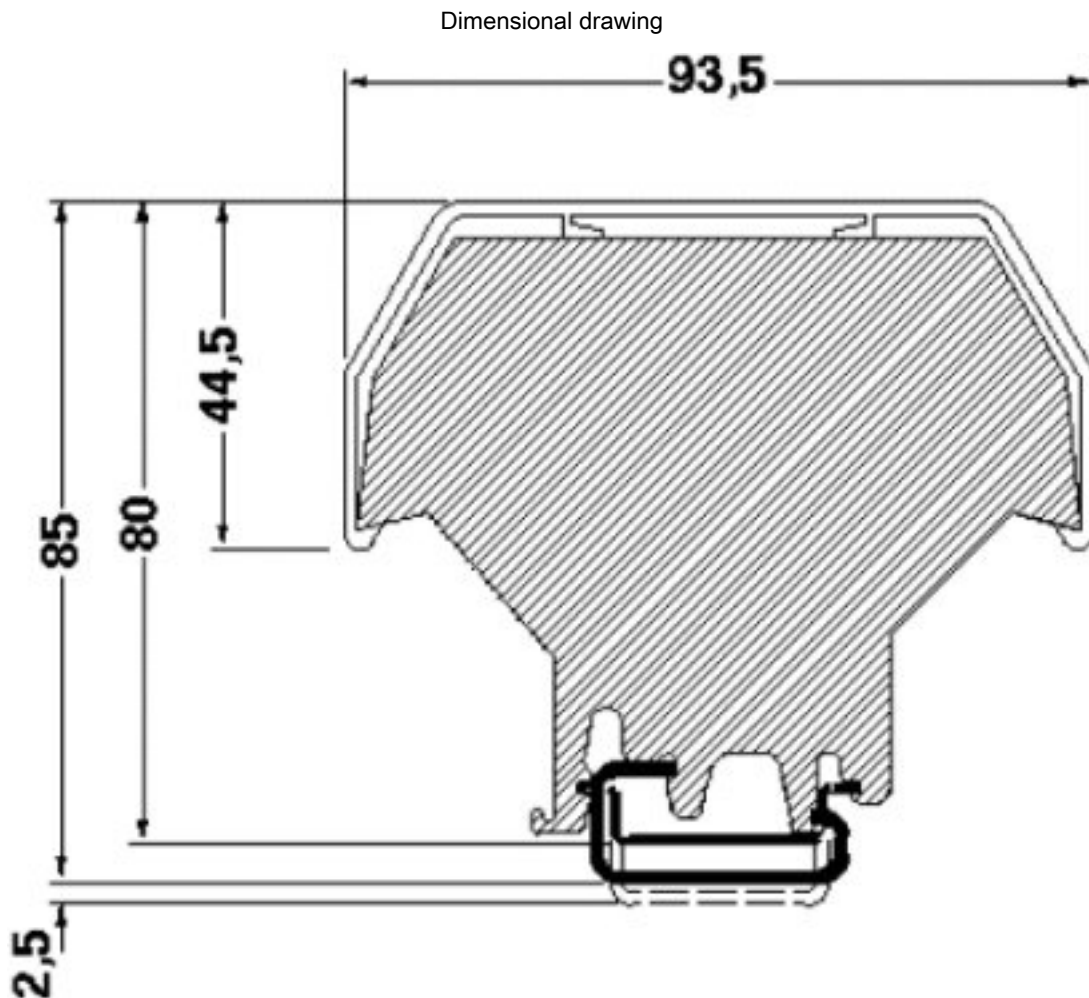
Accessories

Cover profile - AP 3 CM - 5022876



Cover profile for covering terminal strips, snaps onto AP 3-TU, AP 3-TNS 35 cover profile carriers, can be labeled with AP-ES insert strip. A cover profile carrier is to be positioned at the ends and at intervals of around approx. 40 cm. Supply length: As per customer order

Drawings



Mouser Electronics

Authorized Distributor

Click to View Pricing, Inventory, Delivery & Lifecycle Information:

[Phoenix Contact:](#)

[5022656](#)