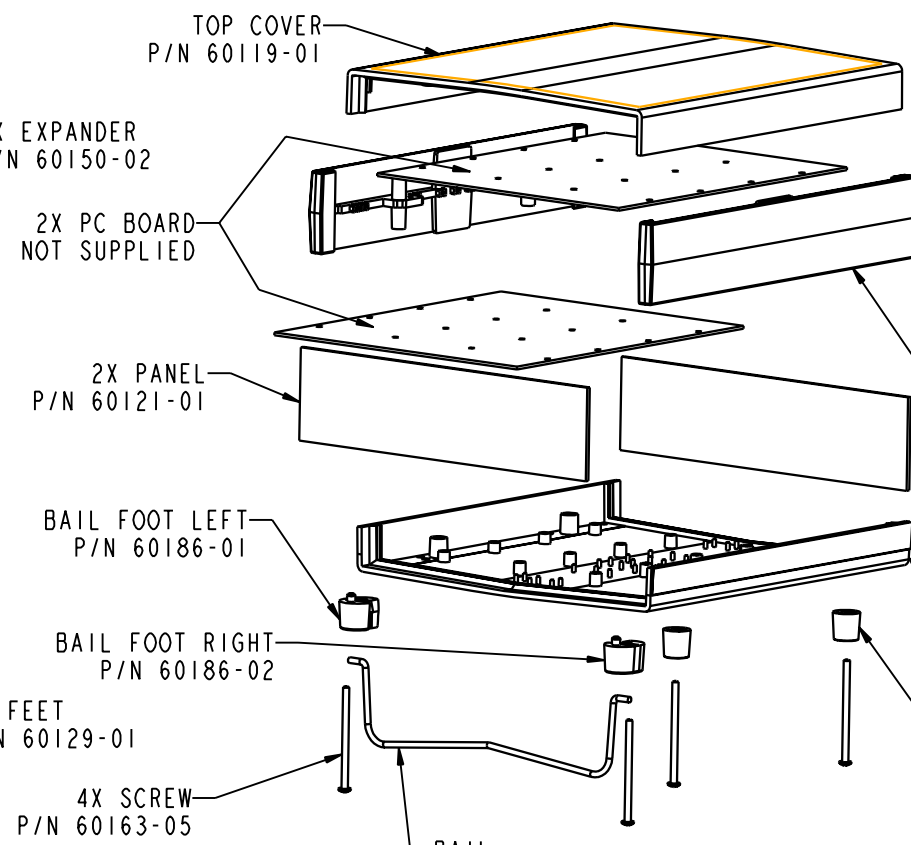
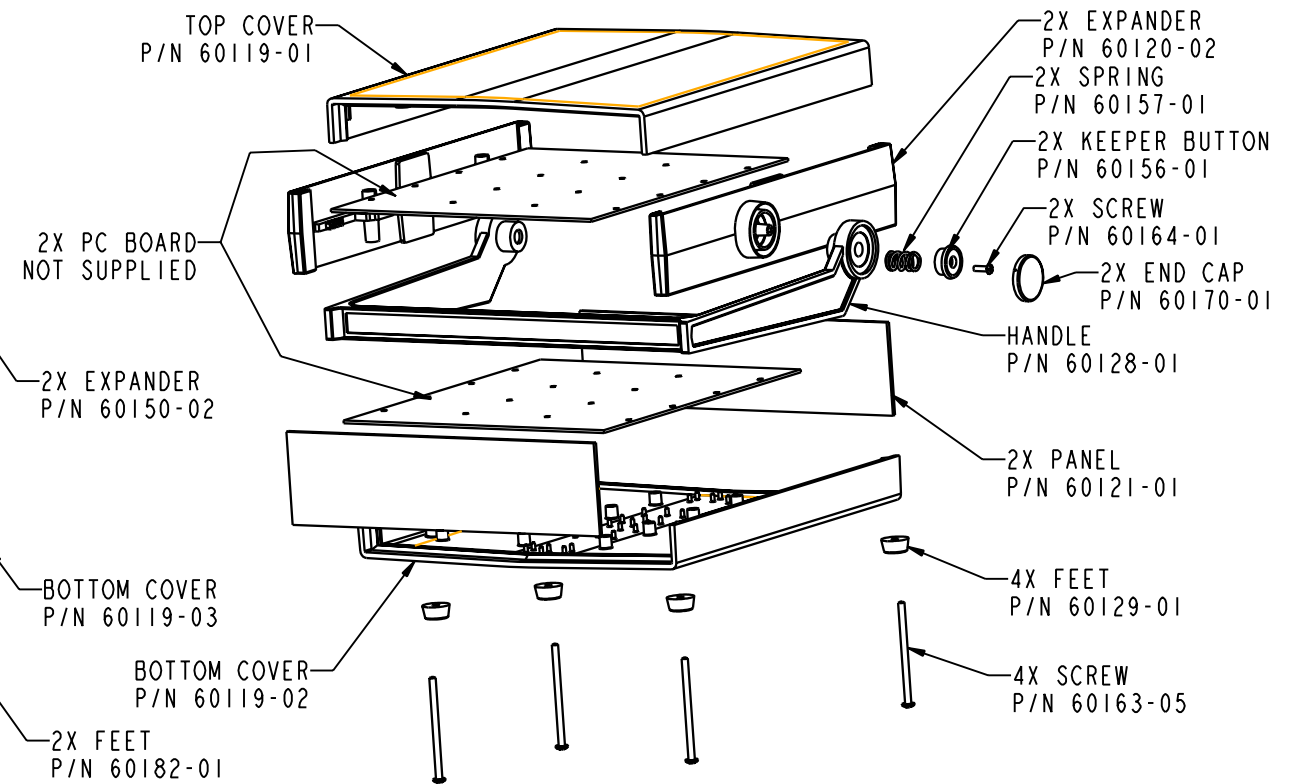


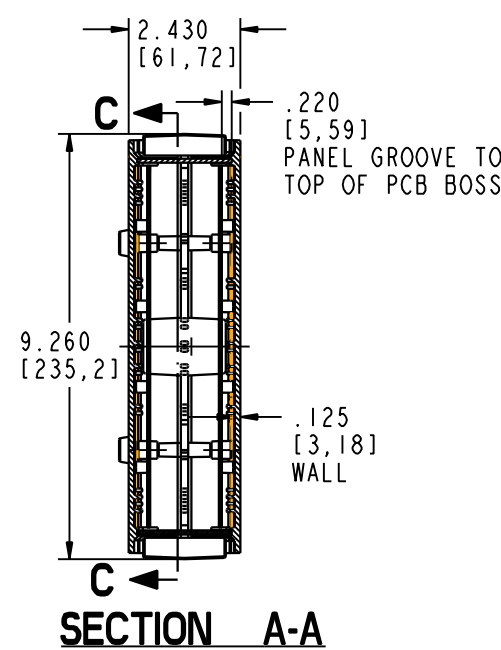
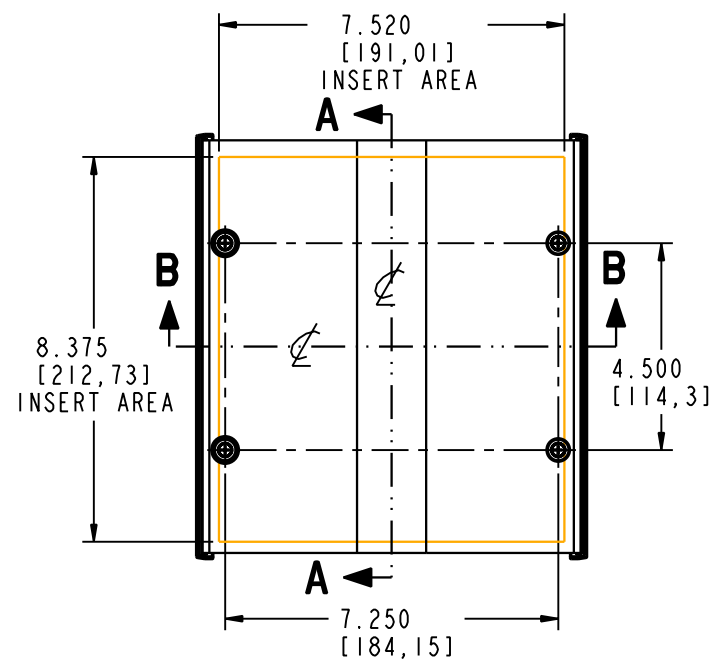
C-200



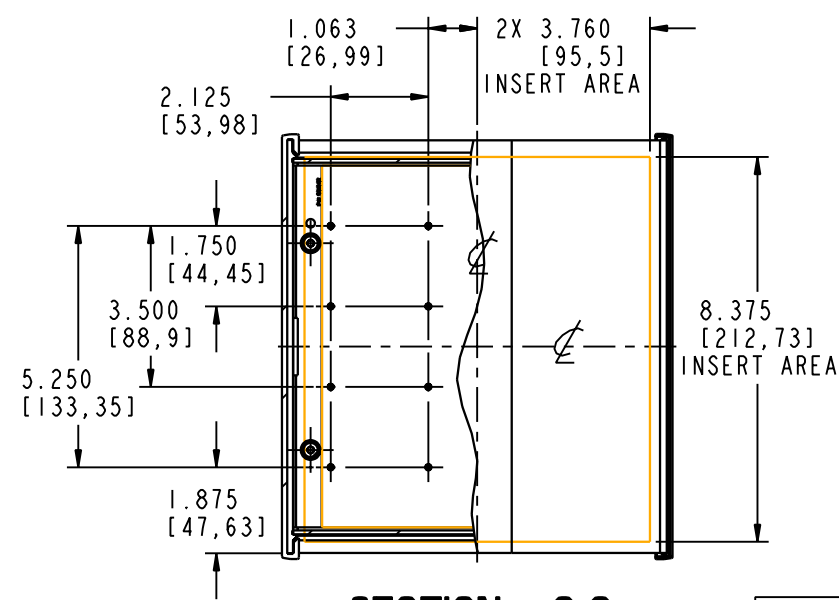
CB-200



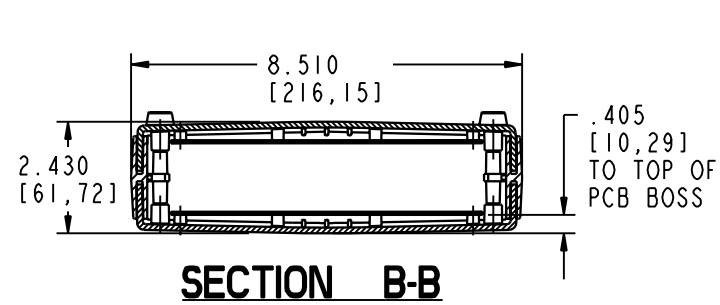
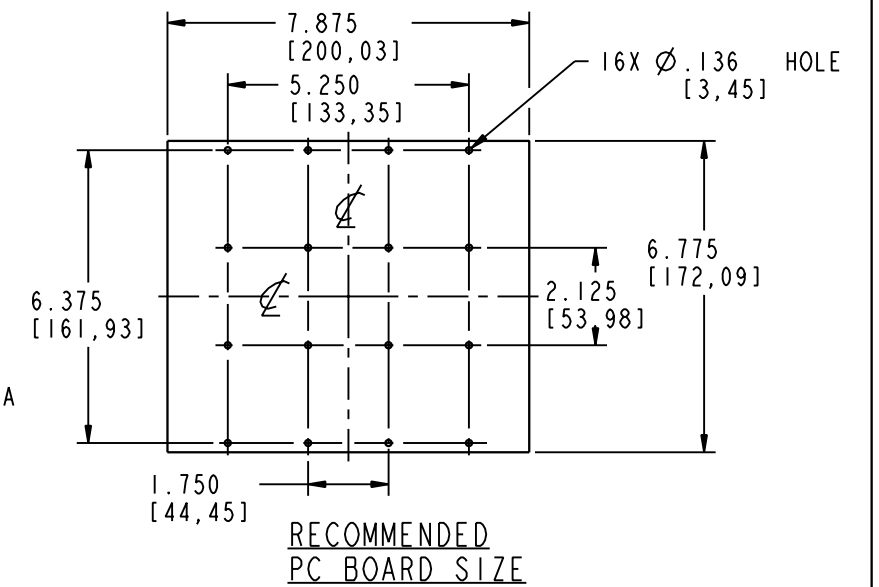
CH-200



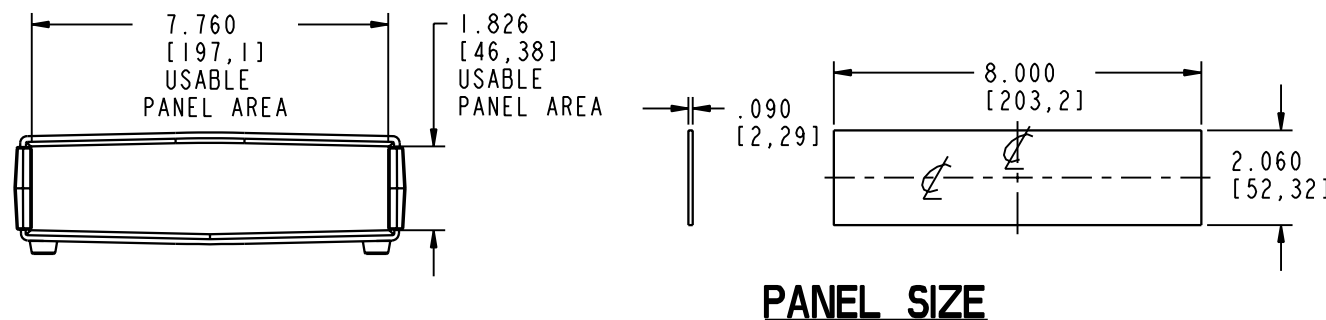
SECTION A-A



SECTION C-C



SECTION B-B



PANEL SIZE

PACINTEC[®]
1-610-361-4231

**C-200, CB-200
& CH-200**

VISIT **PACINTEC**[®]
ON THE WORLD WIDE WEB
www.pactecenclosures.com

COLOR / MATERIAL CODE		
COLOR	94HB	94VO
BLACK	000	028
P. C. BONE	039	060

DRAWING NUMBER	REV
79474	C

Mouser Electronics

Authorized Distributor

Click to View Pricing, Inventory, Delivery & Lifecycle Information:

[PacTec:](#)

[61000-511-000 C-200 Black Kit](#) [60119-01-000 CH-23](#) [60119-02-000 CH-23](#) [60120-02-000 CH-23](#) [60121-01-028 C-200 Black](#)