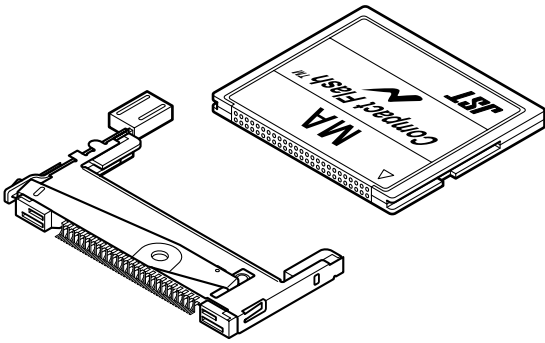




# CF CARD CONNECTOR MA Type



1.27mm pitch/50-circuit CF card connector



***In addition to the connectors applicable to CF type I cards, those for CF type II cards are also available.***

- **Socket / SMT type**
- **Card frame / for type I cards**
- **Adapter / for type I, II cards**
- **Header / for type I, II cards**
- **Ejector / for type I, II cards**

## Specifications

- Type: Dual-row at mating section
- Current rating: 0.5 A AC, DC/Line
- Temperature range: -20°C to +60°C  
(including temperature rise in applying electrical current)
- Contact resistance: Initial value/ 40 mΩ max.  
After environmental tests/ 20 mΩ max.  
(variation from initial value)
- Insulation resistance: 1,000 MΩ min. 500 VDC (Except for Adapter cards)
- Withstanding voltage: 500 VAC/minute (Except for Adapter cards)
- Mating/unmating life: 10,000 cycles
- Conforms to CFA.

\* Refer to "General Instruction and Notice when using Terminals and Connectors" at the end of this catalog.

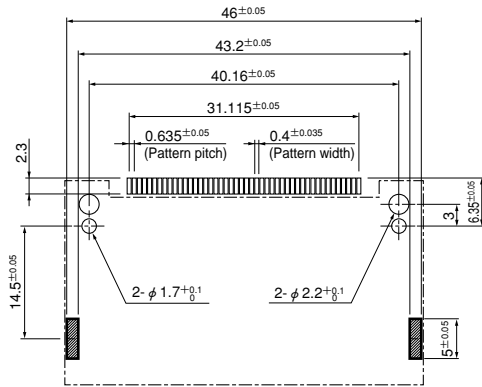
\* Contact JST for details.

\* Compliant with RoHS.

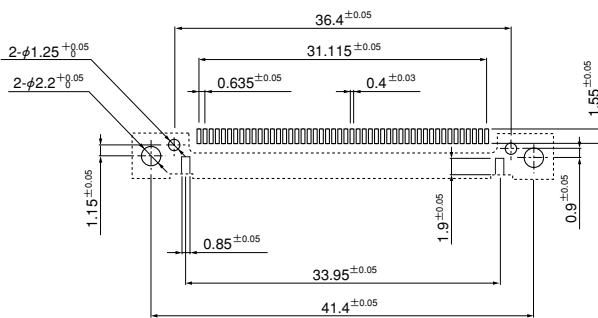
# CF CARD CONNECTOR MA Type

## PC board layout

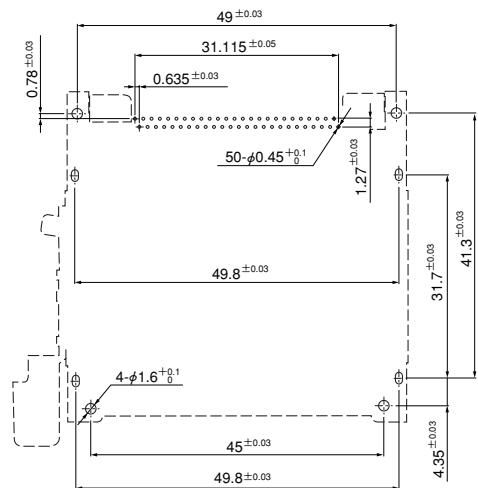
For Type I cards/Standoff 1.64 mm  
Normal type/Reverse type



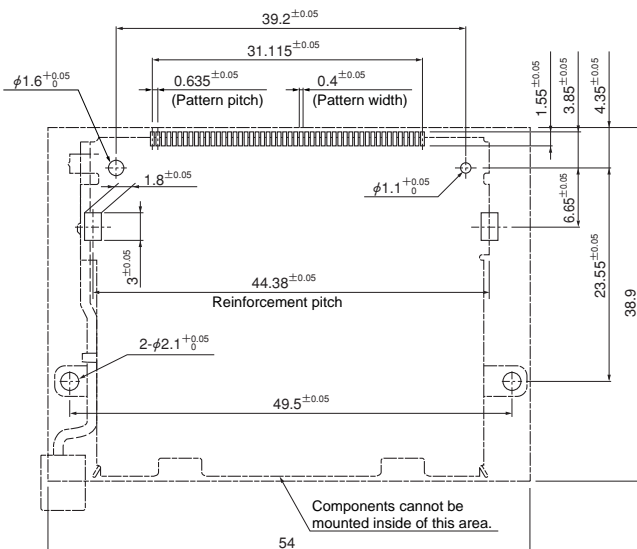
Space-saving type For Type I cards/Standoff 0 mm  
Normal type/Reverse type



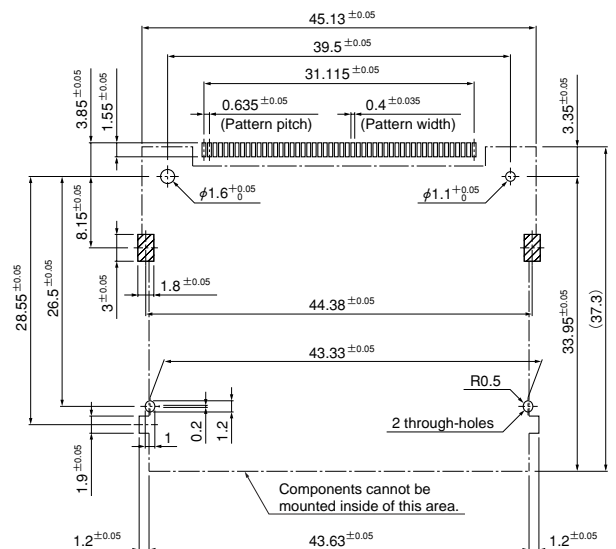
Ejector mounted header with shutter For Type II cards  
Reverse type (Standoff 0 mm)



Space-saving type For Type II cards/Standoff 0 mm  
Normal type



Reverse type

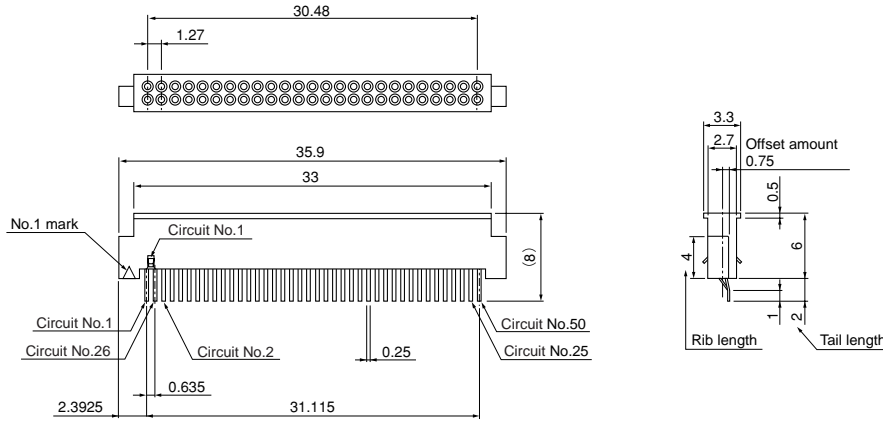


# CF CARD CONNECTOR MA Type

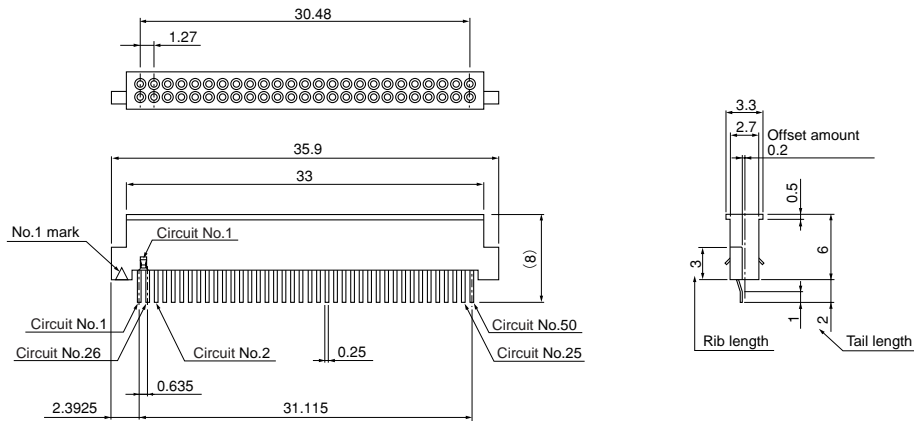
## Socket

SMT type

ICM-MA50S-TS12-3022



ICM-MA50S-TS12-3023



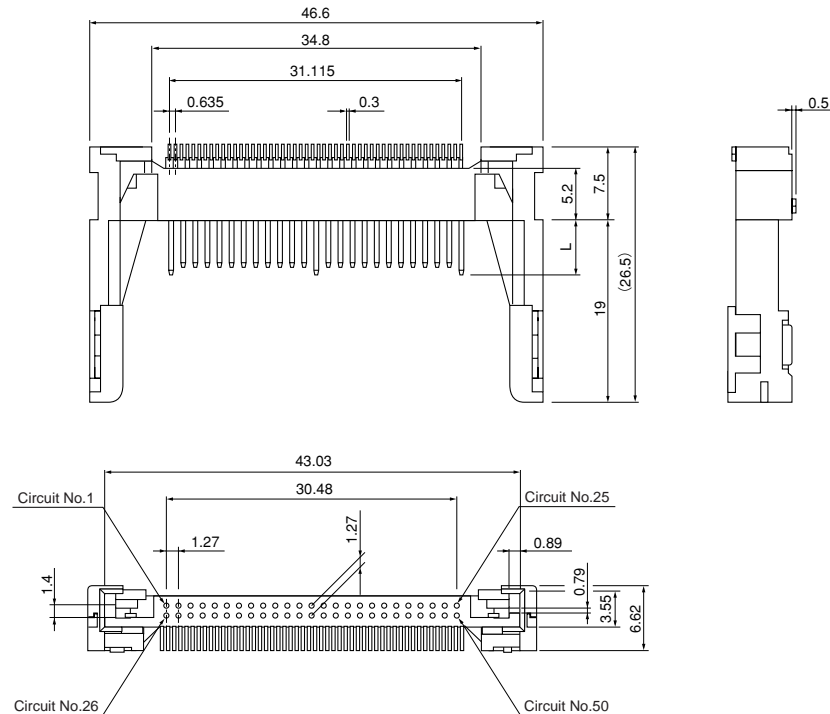
Circuits	Solder tail	GND spring	Offset dimensions(mm)	Rib length (mm)	Tail length (mm)	Model No.	Q'ty/reel	Material and Finish
50	SMT type	With (Circuit No.1, No.26)	0.75	4.0	2.0	ICM-MA50S-TS12-3022T	1,500	Contact: Copper alloy, nickel-undercoated, Mating part; gold-plated Solder tail; tin-plated (reflow treatment) Grounding spring: Copper alloy, nickel-undercoated, gold-plated Housing: LCP, UL94V-0, black
			0.2	3.0		ICM-MA50S-TS12-3023T		

RoHS compliance These products display (LF)(SN) on a label.

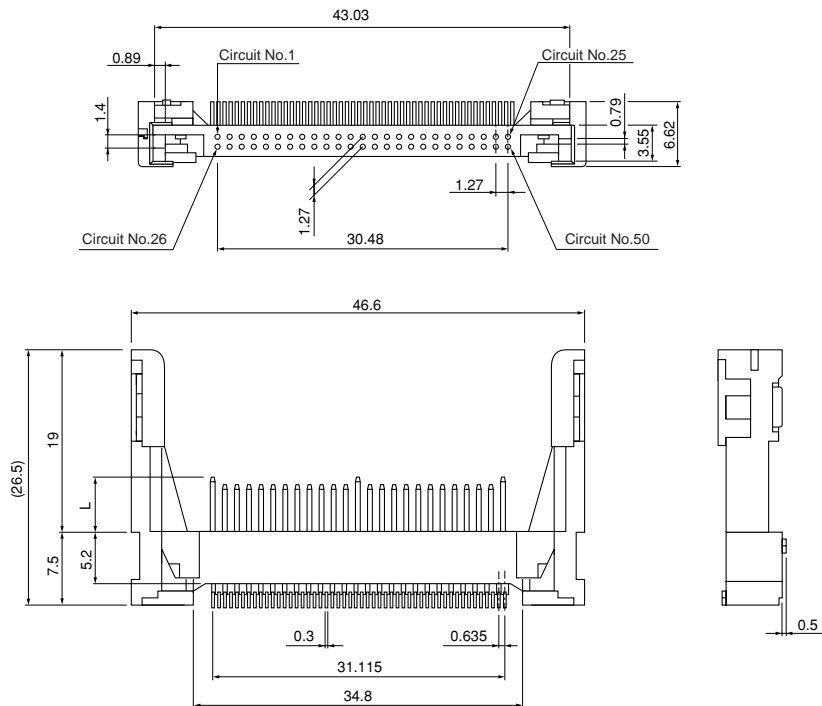
# CF CARD CONNECTOR MA Type

## Header (for Type I cards)

Normal type  
(Standoff 1.64 mm)



Reverse type  
(Standoff 1.64 mm)



Circuits	Type	Model No.	Q'ty/box	Material and Finish
50	Normal	ICM-MA50H-SS52-1141	140	Contact: Phosphor bronze, nickel-undercoated, Mating part: gold-plated Solder tail; tin-plated (reflow treatment)
	Reverse	ICM-MA50H-SS52-1161		Housing: PPS, UL94V-0 Solder tab: Brass, copper-undercoated, tin-plated (reflow treatment)

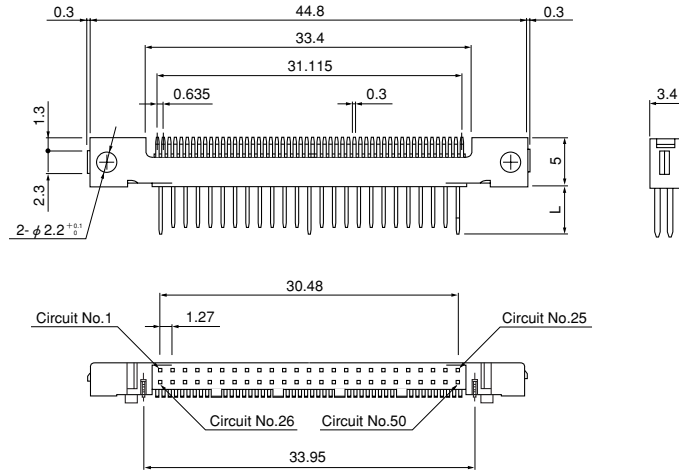
Dimension L	
Circuit No.	Dimensions (mm)
1, 13, 38, 50	5.0 ±0.1
2 to 12, 14 to 24, 27 to 37, 39 to 49	4.25 ±0.1
25, 26	3.5 ±0.1

RoHS compliance These products display (LF)(SN) on a label.

# CF CARD CONNECTOR MA Type

## Header (for Type I cards) / Space-saving type

Normal, Reverse types  
(Standoff 0 mm)



Circuits	Type	Model No.	Q'ty/box	Material and Finish
50	Normal	ICM-MA50H-SS52-1184	1,850	Contact: Copper alloy, nickel-undercoated, Mating part: gold-plated Solder tail: tin-plated (reflow treatment)
	Reverse			Housing: PPS, UL94V-0, black Solder tab: Copper alloy, nickel-undercoated, tin-plated (reflow treatment)

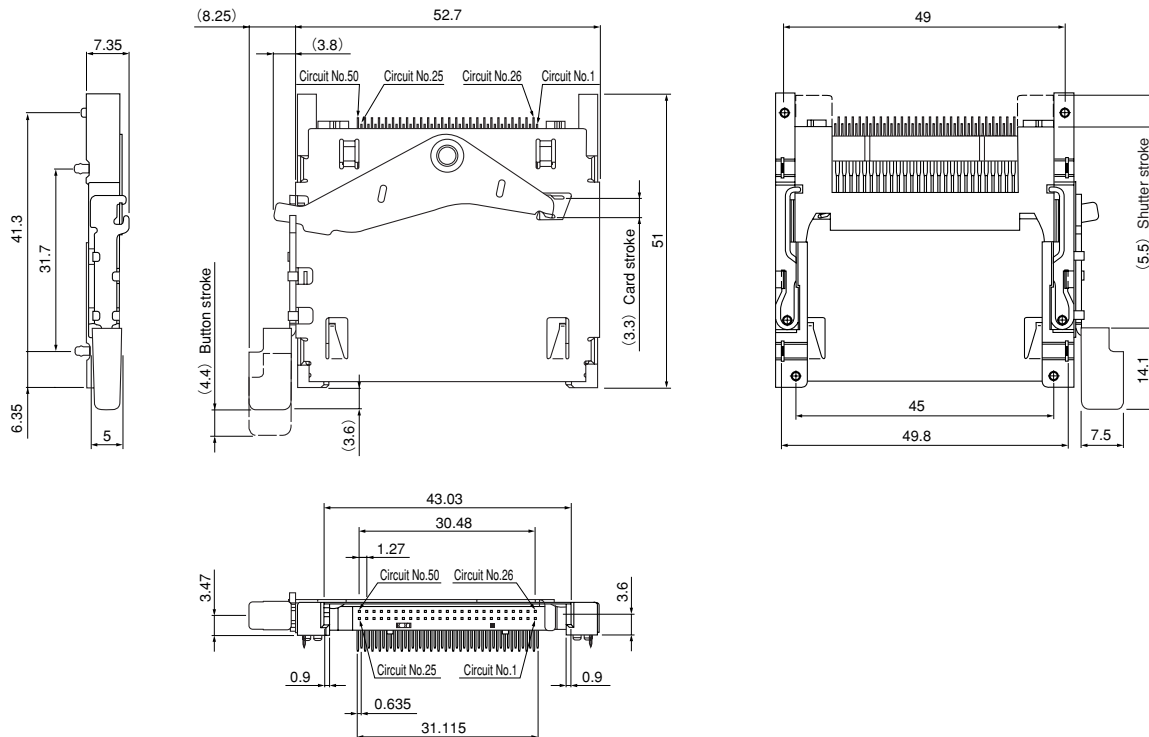
### Dimension L

Circuit No.	Dimensions (mm)
1, 13, 38, 50	5.0 ±0.1
2 to 12, 14 to 24, 27 to 37, 39 to 49	4.25 ±0.1
25, 26	3.5 ±0.1

RoHS compliance This product displays (LF)(SN) on a label.

## Ejector mounted header with shutter (for Type II cards)

Reverse type  
(Standoff 0 mm)



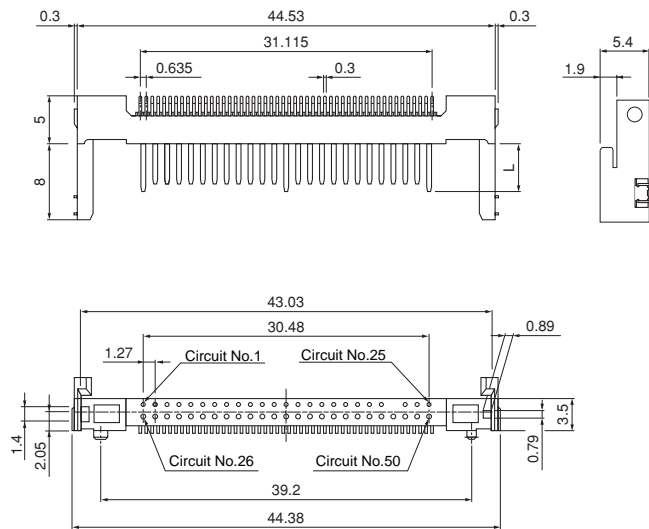
Circuits	Type	Model No.	Q'ty/box	Material and Finish
50	Reverse	ICM-MA2SL-SD12-RL31	128	Contact: Copper alloy, nickel-undercoated, Mating part: gold-plated Solder tail: tin-plated (reflow treatment) Housing/ Guide bar/ Push button: PPS, UL94V-0, black Lock/ Rotation arm/ Push bar: Stainless Frame: Stainless, selective nickel-undercoated, tin/copper alloy-plated

RoHS compliance This product displays (LF)(SN) on a label.

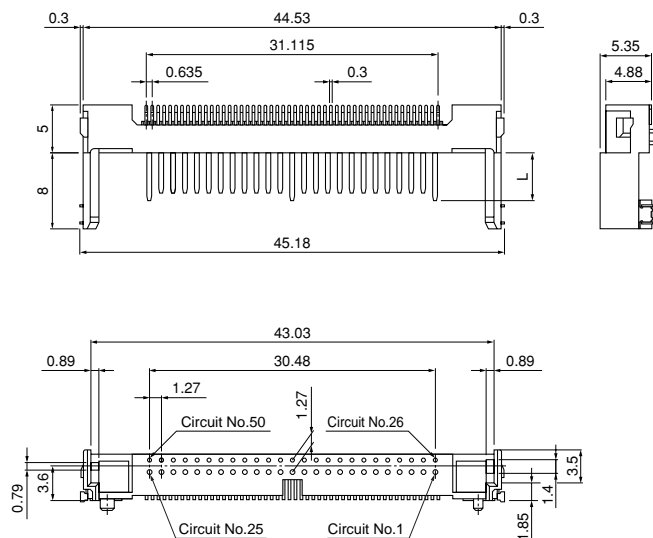
# CF CARD CONNECTOR MA Type

## Header (for Type II cards) / Space-saving type

### Normal type (Standoff 0 mm)



### Reverse type (Standoff 0 mm)



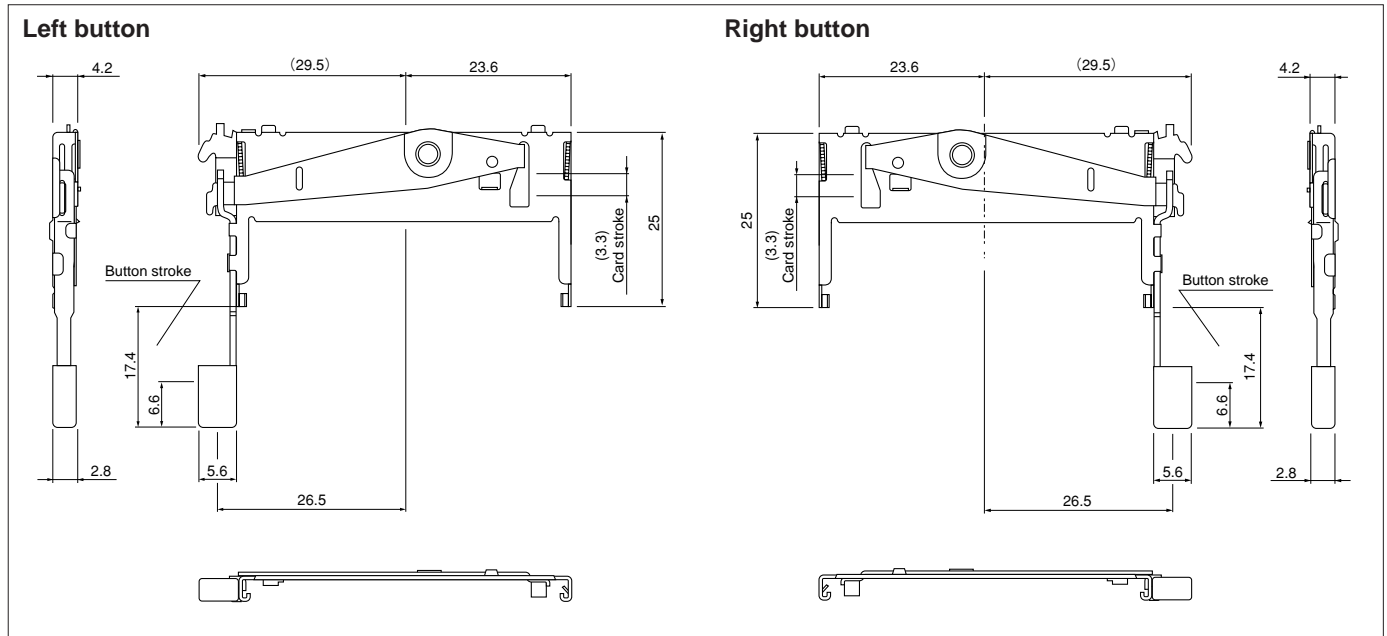
Circuits	Type	Model No.	Q'ty/reel	Material and Finish
50	Normal	ICM-MA2H-SS52-N13LT	750	Contact: Phosphor bronze, nickel-undercoated, Mating part; gold-plated Solder tail; tin-plated (reflow treatment)
	Reverse	ICM-MA2H-SS52-R13HT		Housing: PPS, UL94V-0 Solder tab: Brass, copper-undercoated, tin-plated (reflow treatment)

Dimension L	
Circuit No.	Dimensions (mm)
1, 13, 38, 50	5.0 ±0.1
2 to 12, 14 to 24, 27 to 37, 39 to 49	4.25 ±0.1
25, 26	3.5 ±0.1

**RoHS compliance** These products display (LF)(SN) on a label.  
These products listed above are supplied on embossed-tape.

# CF CARD CONNECTOR MA Type

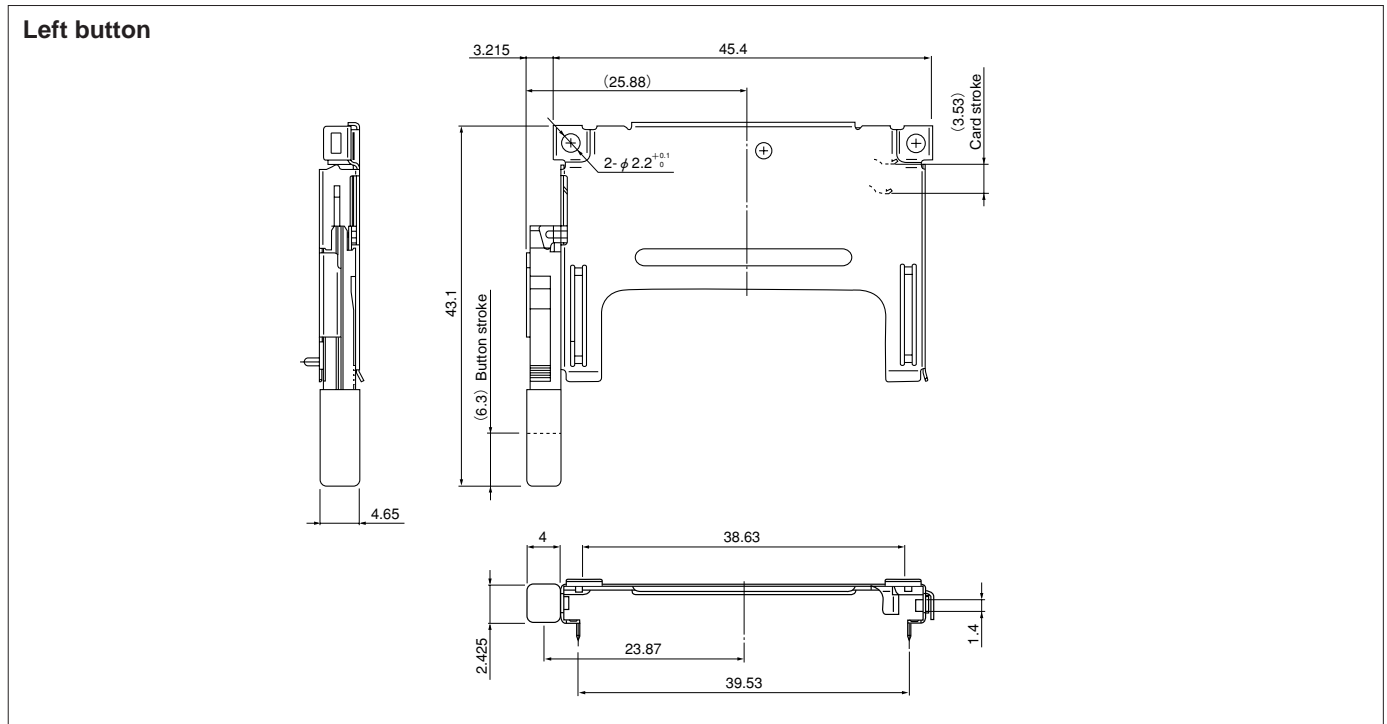
## Ejector (for Type I Header)



Type	Model No.	Q'ty/box	Material	Applicable header
Right button	<b>ICM-MAE-R01</b>	100	Frame/ Rotation arm : Stainless Push button: PPS, UL94V-0, black	ICM-MA50H-SS52-1141
Left button	<b>ICM-MAE-L01</b>	100		ICM-MA50H-SS52-1161

**RoHS compliance** Applicable headers display (LF)(SN) on a label.

## Ejector mounted header (for Type I Header) / Space-saving type



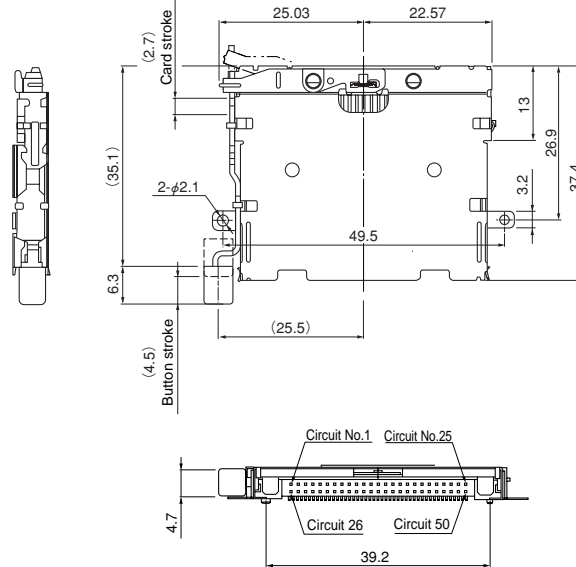
Type	Model No.	Q'ty/box	Material and Finish	Applicable header
Reverse (Left button)	<b>ICM-MAE-L91ND</b>	252	Frame: Stainless, nickel-undercoated, tin/copper alloy-plated Rotation arm: Stainless Push button: Synthetic resin, UL94V-0, gray	ICM-MA50H-SS52-1184

**RoHS compliance** This product displays (LF) on a label.  
An applicable header displays (LF)(SN) on a label.

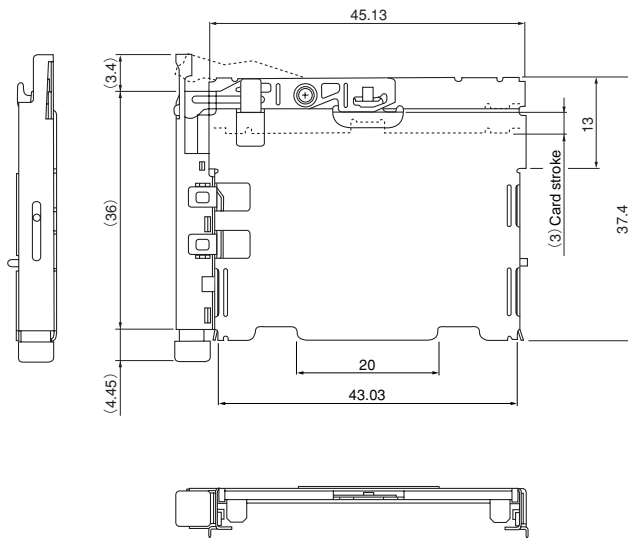
# CF CARD CONNECTOR MA Type

## Ejector (for Type II header) / Space-saving type

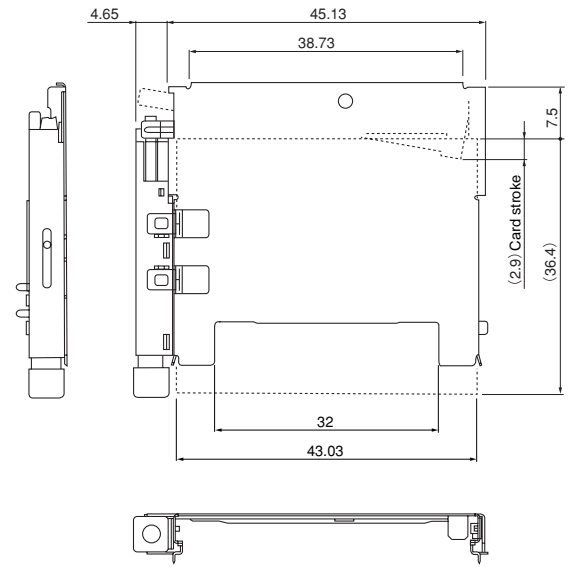
For Normal type header  
(Standoff 0 mm) Left button



For Normal type header  
(Standoff 0 mm) Left button/Push-push type



For Reverse type header  
(Standoff 0 mm) Left button/Push-push type



Type	Model No.	Qty/box	Material and Finish	Applicable header
For Normal type header (Standoff 0 mm) Left button	<b>ICM-MAE-L73FA</b>	36	Rotation arm/Push bar/Push plate/ Frame: Stainless Button: PBT, UL94V-0, gray	ICM-MA2H-SS52-N13L ICM-MA2H-SS52-N13LT
For Normal type header (Standoff 0 mm) Left button, Push-push	<b>ICM-MA2EP-L520A</b>	36	Rotation arm/Push plate: Stainless Button: PBT, UL94V-0, black Frame: Stainless, selective nickel-undercoated, tin/copper alloy-plated	
For Reverse type header (Standoff 0 mm) Left button, Push-push	<b>ICM-MA2EP-L810E</b>	36	Arm: Stainless Push button: Synthetic resin, UL94V-0, black Frame: Stainless, selective nickel-undercoated, tin/copper alloy-plated	ICM-MA2H-SS52-R13HT

**RoHS compliance** ICM-MA2EP-L520A/ICM-MA2EP-L810E display (LF) on a label.  
Applicable headers display (LF)(SN) on a label.

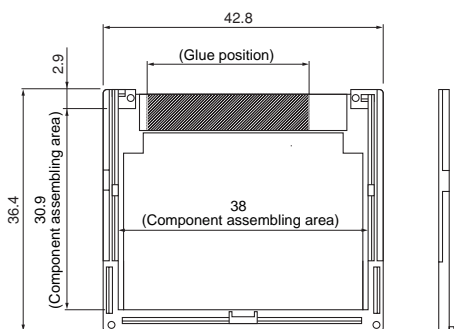


# CF CARD CONNECTOR MA Type

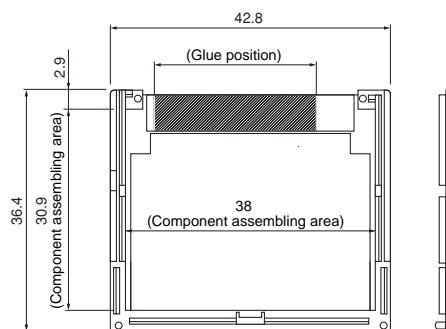
## Card frame (for Type I cards)

### ICM-MA50F-A/B-FB-C

Frame A



Frame B



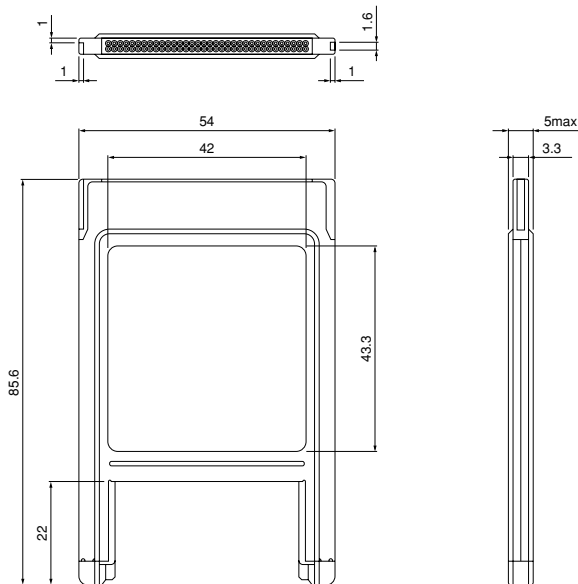
Circuits	Model No. as a set (Frame A + Frame B)	Applicable socket	Q'ty/box	Material
50	ICM-MA50F-A/B-FB-CA	ICM-MA50S-TS12-3023T	150	Frame: Glass-filled PBT, UL94V-0 Cover: Stainless

RoHS compliance

## Adapter card

### For CF Type I cards (PC card 5V key)

68 circuits side



50 circuits side



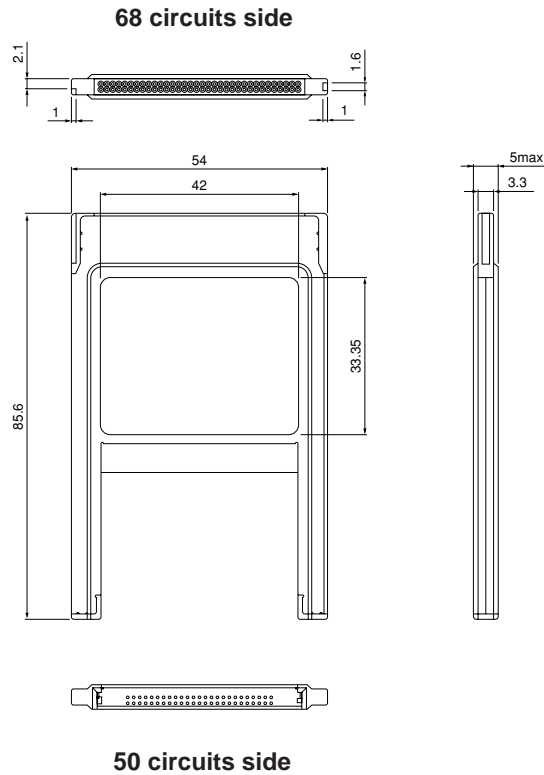
Model No.	Q'ty/box	Material and Finish		
ICM-MA50A-C441N	48	50 circuits side Header	Contact: Copper alloy, nickel-undercoated, Mating part; gold-plated Solder tail; tin-plated (reflow treatment) Housing: PPS, UL94V-0	Cover: Stainless Frame: PBT, UL94V-0 PC board: Glass-epoxy, UL94V-0
		68 circuits side Socket	Contact: Copper alloy, nickel-undercoated, Mating part; gold-plated Solder tail; tin-plated (reflow treatment) Housing: LCP, UL94V-0 Grounding spring: Copper alloy, nickel-undercoated, gold-plated	

RoHS compliance This product displays (LF)/(SN) on a label.

# CF CARD CONNECTOR MA Type

## Adapter card

For CF Type II cards  
(PC card 3.3 V key  
with GND clip spring)



Model No.	Q'ty/box	Material and Finish		
<b>ICM-MA2A-C454N</b>	48	50 circuits side Header	Contact: Copper alloy, nickel-undercoated, Mating part; gold-plated Solder tail; tin-plated (reflow treatment) Housing: PPS, UL94V-0	Cover: Stainless Frame: PBT, UL94V-0 PC board: Glass-epoxy, UL94V-0 Contact spring: Copper alloy Shutter: PPS, UL94V-0 Spring: Stainless Lock: Stainless
		68 circuits side Socket	Contact: Copper alloy, nickel-undercoated, Mating part; gold-plated Solder tail; tin-plated (reflow treatment) Housing: LCP, UL94V-0 Grounding spring: Copper alloy, nickel-undercoated, gold-plated	

**RoHS compliance** This product displays (LF)(SN) on a label.