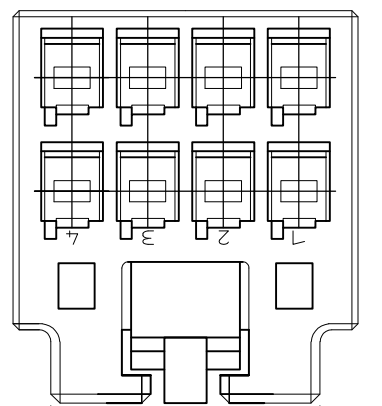
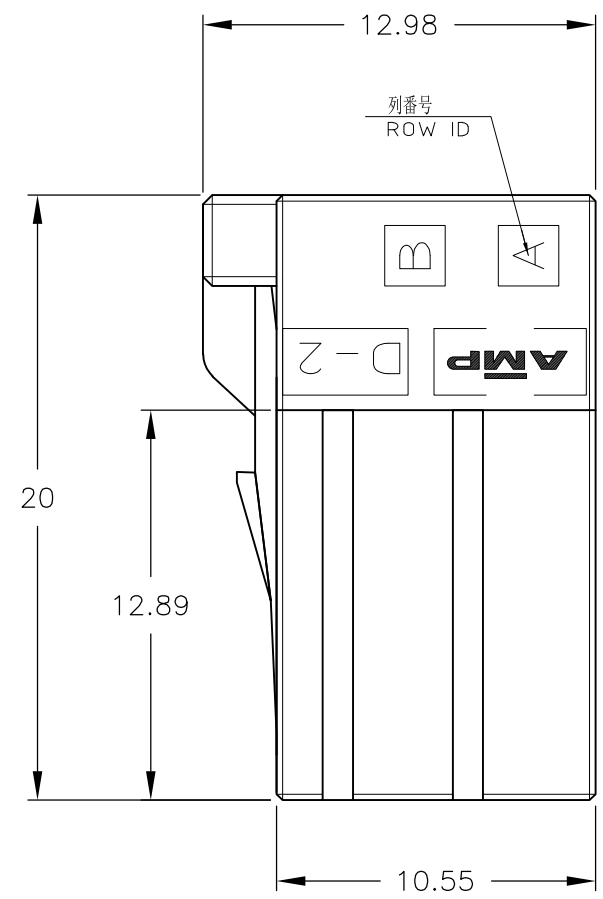
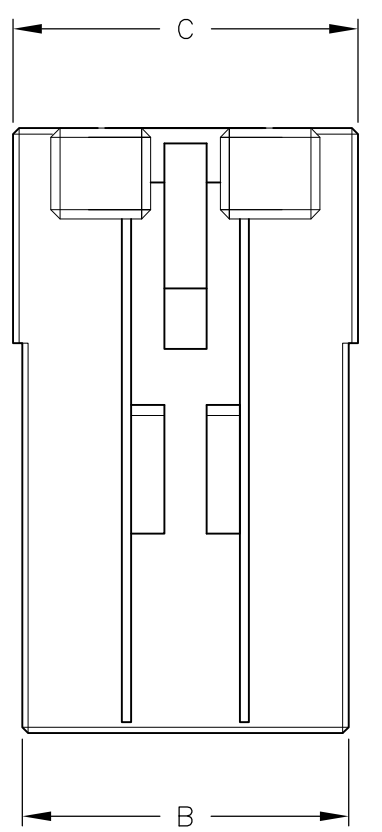


THIS DRAWING IS UNPUBLISHED. RELEASED FOR PUBLICATION  
 © COPYRIGHT - By Tyco Electronics Japan G.K. ALL RIGHTS RESERVED.

LOC	DIST	REVISIONS					
		P	LTR	DESCRIPTION	DATE	DWN	APVD
—	—	A	REVISED		27JUN2012	H.M	N.Y
—	—	B	REVISED		17APR2015	H.O	N.Y



8.9  
(LOCK PROTECTION WIDTH)

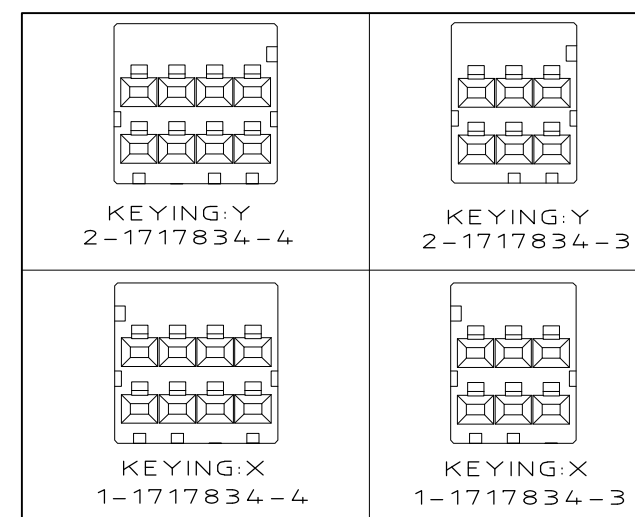


注記

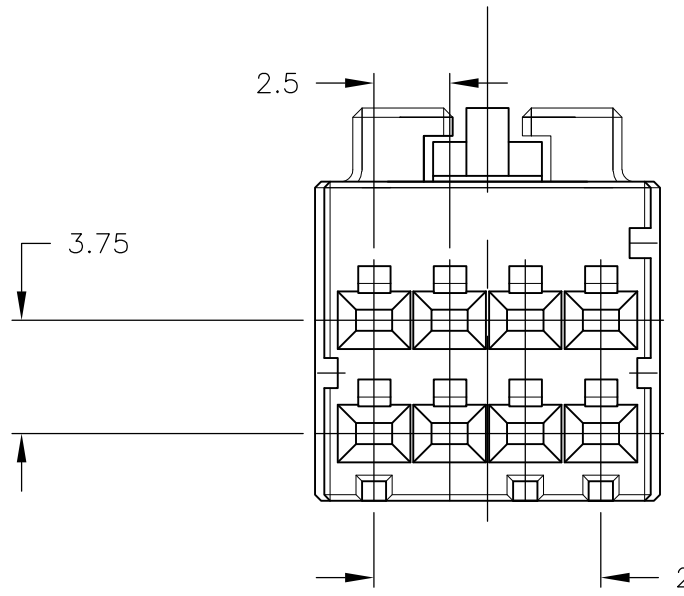
① 材料: ハウジング: ガラス入り熱可塑性ポリエステル樹脂(94V-0), 色: 黒

NOTES

① MATERIAL: HOUSING: GLASS FILED THERMO PLASTIC, POLYESTER(94V-0), COLOR: BLACK



—	11.4	10.8	7.5	3	8	2-1717834-4
—	11.4	10.8	7.5	3	8	1-1717834-4
—	8.9	8.3	5	2	6	2-1717834-3
—	8.9	8.3	5	2	6	1-1717834-3
FINISH	C	B	A	N	POS	PART NUMBER



THIS DRAWING IS A CONTROLLED DOCUMENT.

DIMENSIONS: mm	TOLERANCES UNLESS OTHERWISE SPECIFIED:	DWN T.SAKAMOTO 15OCT2003	 TE Connectivity
	0 PLC ± 100 ± 0.3 1 PLC ± 30 ± 0.35 2 PLC ± 100 ± 0.4 3 PLC ± 4 PLC ± ANGLES ± 3°	CHK D.MITSUGI 15OCT2003	
		APVD S.MANABE 15OCT2003	
		PRODUCT SPEC 108-5619	
MATERIAL	FINISH	APPLICATION SPEC 114-5258	NAME DOUBLE ROW REC HSG WITH CUTTING OUT LOCK LEVER DYNAMIC D-2100
		WEIGHT	SIZE CAGE CODE DRAWING NO RESTRICTED TO A3 00779 C-1717834
		CUSTOMER DRAWING	SCALE 4:1 SHEET 1 OF 1 REV B

# Mouser Electronics

Authorized Distributor

Click to View Pricing, Inventory, Delivery & Lifecycle Information:

[TE Connectivity:](#)

[1-1717834-3](#)