



Is Now Part of



**ON Semiconductor®**

To learn more about ON Semiconductor, please visit our website at  
[www.onsemi.com](http://www.onsemi.com)

Please note: As part of the Fairchild Semiconductor integration, some of the Fairchild orderable part numbers will need to change in order to meet ON Semiconductor's system requirements. Since the ON Semiconductor product management systems do not have the ability to manage part nomenclature that utilizes an underscore (\_), the underscore (\_) in the Fairchild part numbers will be changed to a dash (-). This document may contain device numbers with an underscore (\_). Please check the ON Semiconductor website to verify the updated device numbers. The most current and up-to-date ordering information can be found at [www.onsemi.com](http://www.onsemi.com). Please email any questions regarding the system integration to [Fairchild\\_questions@onsemi.com](mailto:Fairchild_questions@onsemi.com).

ON Semiconductor and the ON Semiconductor logo are trademarks of Semiconductor Components Industries, LLC dba ON Semiconductor or its subsidiaries in the United States and/or other countries. ON Semiconductor owns the rights to a number of patents, trademarks, copyrights, trade secrets, and other intellectual property. A listing of ON Semiconductor's product/patent coverage may be accessed at [www.onsemi.com/site/pdf/Patent-Marking.pdf](http://www.onsemi.com/site/pdf/Patent-Marking.pdf). ON Semiconductor reserves the right to make changes without further notice to any products herein. ON Semiconductor makes no warranty, representation or guarantee regarding the suitability of its products for any particular purpose, nor does ON Semiconductor assume any liability arising out of the application or use of any product or circuit, and specifically disclaims any and all liability, including without limitation special, consequential or incidental damages. Buyer is responsible for its products and applications using ON Semiconductor products, including compliance with all laws, regulations and safety requirements or standards, regardless of any support or applications information provided by ON Semiconductor. "Typical" parameters which may be provided in ON Semiconductor data sheets and/or specifications can and do vary in different applications and actual performance may vary over time. All operating parameters, including "Typicals" must be validated for each customer application by customer's technical experts. ON Semiconductor does not convey any license under its patent rights nor the rights of others. ON Semiconductor products are not designed, intended, or authorized for use as a critical component in life support systems or any FDA Class 3 medical devices or medical devices with a same or similar classification in a foreign jurisdiction or any devices intended for implantation in the human body. Should Buyer purchase or use ON Semiconductor products for any such unintended or unauthorized application, Buyer shall indemnify and hold ON Semiconductor and its officers, employees, subsidiaries, affiliates, and distributors harmless against all claims, costs, damages, and expenses, and reasonable attorney fees arising out of, directly or indirectly, any claim of personal injury or death associated with such unintended or unauthorized use, even if such claim alleges that ON Semiconductor was negligent regarding the design or manufacture of the part. ON Semiconductor is an Equal Opportunity/Affirmative Action Employer. This literature is subject to all applicable copyright laws and is not for resale in any manner.



# HCPL062N

## 3.3V Dual Channel High Speed-10 MBit/s Logic Gate Optocouplers

### Features

- Compact SO8 package
- Very high speed – 10MBit/s
- Superior CMR – 25kV/μs minimum (1,000 volts common mode)
- Logic gate output
- Wired OR-open collector
- Fixed threshold detector design minimizes thermal impact on switching times
- U.L. recognized (File # E90700)

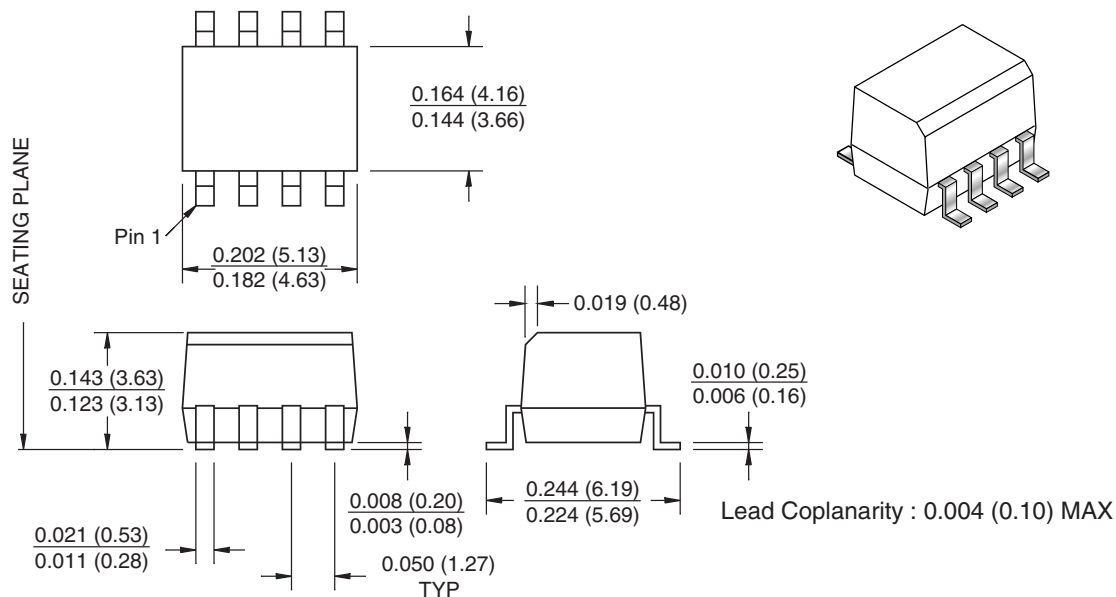
### Description

The HCPL062N optocouplers consist of an AlGaAs LED, optically coupled to a very high speed integrated photo-detector logic gate consisting of bipolar transistors on a CMOS process for reduced power consumption. The output features an open collector, thereby permitting wired OR outputs. The devices are housed in a compact small-outline package. The coupled parameters are guaranteed over the temperature range of -40°C to +85°C. An internal noise shield and provides superior common mode rejection.

### Applications

- Ground loop elimination
- Field buses
- Line receiver, data transmission
- Data multiplexing
- Switching power supplies
- Pulse transformer replacement
- Computer-peripheral interface
- Instrumentation input/output isolation

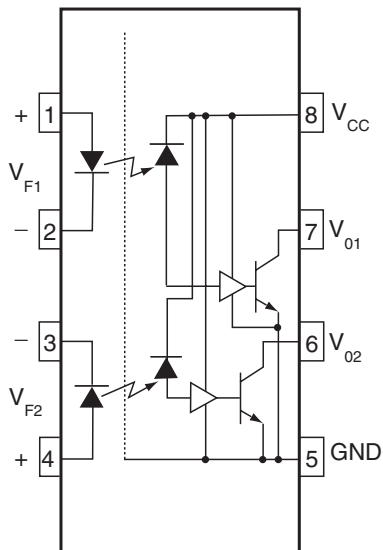
### Package Dimensions



**Note:**

All dimensions are in inches (millimeters)

### Circuit Drawing<sup>(1)</sup>



**Note:**

1. The  $V_{CC}$  supply to each optoisolator must be bypassed by a  $0.1\mu\text{F}$  capacitor or larger. This can be either a ceramic or solid tantalum capacitor with good high frequency characteristic and should be connected no further than 3mm from the  $V_{CC}$  and GND pins of each device.

### Truth Table (Positive Logic)

| Input | Output |
|-------|--------|
| H     | L      |
| L     | H      |

A  $0.1\mu\text{F}$  bypass capacitor must be connected between pins 8 and 5.

### Absolute Maximum Ratings (No derating required up to 85°C)

| Symbol                            | Parameter                                       | Value       | Units |
|-----------------------------------|---|-------------|-------|
| T <sub>STG</sub>                  | Storage Temperature                             | -40 to +125 | °C    |
| T <sub>OPR</sub>                  | Operating Temperature                           | -40 to +85  | °C    |
| <b>EMITTER</b>                    |   |             |       |
| I <sub>F</sub>                    | DC/Average Forward Input Current (each channel) | 50          | mA    |
| V <sub>R</sub>                    | Reverse Input Voltage (each channel)            | 5.0         | V     |
| P <sub>I</sub>                    | Power Dissipation                               | 45          | mW    |
| <b>DETECTOR</b>                   |   |             |       |
| V <sub>CC</sub><br>(1 minute max) | Supply Voltage                                  | 7.0         | V     |
| I <sub>O</sub>                    | Output Current (each channel)                   | 15          | mA    |
| V <sub>O</sub>                    | Output Voltage (each channel)                   | 7.0         | V     |
| P <sub>O</sub>                    | Collector Output Power Dissipation              | 85          | mW    |

### Recommended Operating Conditions

| Symbol          | Parameter                 | Min.               | Max. | Units     |
|-----------------|---------------------------|--------------------|------|-----------|
| I <sub>FL</sub> | Input Current, Low Level  | 0                  | 250  | μA        |
| I <sub>FH</sub> | Input Current, High Level | 6.3 <sup>(2)</sup> | 15   | mA        |
| V <sub>CC</sub> | Supply Voltage, Output    | 2.7                | 3.3  | V         |
| T <sub>A</sub>  | Operating Temperature     | -40                | +85  | °C        |
| N               | Fan Out (TTL load)        | –                  | 5    | TTL Loads |
| R <sub>L</sub>  | Output Pull-up            | 330                | 4K   | Ω         |

**Note:**

- 6.3mA is a guard banded value which allows for at least 20% CTR degradation. Initial input current threshold value is 5.0mA or less

**Electrical Characteristics** ( $T_A = -40^{\circ}\text{C}$  to  $+85^{\circ}\text{C}$  Unless otherwise specified.)

**Individual Component Characteristics**

| Symbol                  | Parameter                           | Test Conditions                              | Min.                       | Typ. <sup>(3)</sup> | Max. | Unit                   |   |
|-------------------------|-------------------------------------|--|----------------------------|---------------------|------|------------------------|---|
| <b>EMITTER</b>          |                                     |  |                            |                     |      |                        |   |
| $V_F$                   | Input Forward Voltage               | $I_F = 10\text{mA}$                          |                            | –                   | –    | 1.8                    | V |
|                         |                                     |  | $T_A = 25^{\circ}\text{C}$ | –                   | –    | 1.75                   |   |
| $B_{VR}$                | Input Reverse Breakdown Voltage     | $I_R = 10\mu\text{A}$                        | 5.0                        | –                   | –    | V                      |   |
| $\Delta V_F/\Delta T_A$ | Input Diode Temperature Coefficient | $I_F = 10\text{mA}$                          | –                          | -1.5                | –    | mV/ $^{\circ}\text{C}$ |   |
| <b>DETECTOR</b>         |                                     |  |                            |                     |      |                        |   |
| $I_{CCH}$               | High Level Supply Current           | $I_F = 0\text{mA}$ , $V_{CC} = 3.3\text{V}$  | –                          | 7.1                 | 10   | mA                     |   |
| $I_{CCL}$               | Low Level Supply Current            | $I_F = 10\text{mA}$ , $V_{CC} = 3.3\text{V}$ | –                          | 6.7                 | 15   | mA                     |   |

**Switching Characteristics** ( $T_A = -40^{\circ}\text{C}$  to  $+85^{\circ}\text{C}$ ,  $V_{CC} = 3.3\text{V}$ ,  $I_F = 7.5\text{mA}$  Unless otherwise specified.)

| Symbol                | AC Characteristics                                    | Test Conditions  | Min.   | Typ. <sup>(3)</sup> | Max. | Unit             |
|-----------------------|---|--|--------|---------------------|------|------------------|
| $T_{PLH}$             | Propagation Delay Time to Output High Level           | $R_L = 350\Omega$ , $C_L = 15\text{pF}$<br>Note 4, Fig. 10   | –      | –                   | 90   | ns               |
| $T_{PHL}$             | Propagation Delay Time to Output Low Level            | $R_L = 350\Omega$ , $C_L = 15\text{pF}$<br>Note 5, Fig. 10   | –      | –                   | 75   | ns               |
| $ T_{PHL} - T_{PLH} $ | Pulse Width Distortion                                | $R_L = 350\Omega$ , $C_L = 15\text{pF}$<br>Fig. 10   | –      | –                   | 25   | ns               |
| $t_r$                 | Output Rise Time (10–90%)                             | $R_L = 350\Omega$ , $C_L = 15\text{pF}$<br>Note 6, Fig. 10   | –      | 16                  | –    | ns               |
| $t_f$                 | Output Fall Time (90–10%)                             | $R_L = 350\Omega$ , $C_L = 15\text{pF}$<br>Note 7, Fig. 10   | –      | 4                   | –    | ns               |
| $ICM_{HI}$            | Common Mode Transient Immunity (at Output High Level) | $R_L = 350\Omega$ , $T_A = 25^{\circ}\text{C}$ , $I_F = 0\text{mA}$ ,<br>$V_{CC} = 3.3\text{V}$ , $V_{O(\text{Min.})} = 2\text{V}$<br>$ V_{CM}  = 1,000\text{V}$<br>Notes 8, 11, Fig. 11     | 25,000 | –                   | –    | V/ $\mu\text{s}$ |
| $ICM_{LI}$            | Common Mode Transient Immunity (at Output Low Level)  | $R_L = 350\Omega$ , $T_A = 25^{\circ}\text{C}$ , $I_F = 7.5\text{mA}$ ,<br>$V_{CC} = 3.3\text{V}$ , $V_{O(\text{Max.})} = 0.8\text{V}$<br>$ V_{CM}  = 1,000\text{V}$<br>Notes 9, 11, Fig. 11 | 25,000 | –                   | –    | V/ $\mu\text{s}$ |

**Transfer Characteristics** ( $T_A = -40^{\circ}\text{C}$  to  $+85^{\circ}\text{C}$  Unless otherwise specified.)

| Symbol   | DC Characteristics       | Test Conditions   | Min. | Typ. <sup>(3)</sup> | Max. | Unit |
|----------|--------------------------|---|------|---------------------|------|------|
| $V_{OL}$ | Low Level Output Voltage | $V_{CC} = 3.3\text{V}$ , $I_F = 5\text{mA}$ , $I_{OL} = 13\text{mA}$  | –    | –                   | 0.6  | V    |
| $I_{FT}$ | Input Threshold Current  | $V_{CC} = 3.3\text{V}$ , $V_O = 0.6\text{V}$ , $I_{OL} = 13\text{mA}$ | –    | –                   | 5    | mA   |

**Isolation Characteristics** ( $T_A = -40^{\circ}\text{C}$  to  $+85^{\circ}\text{C}$  Unless otherwise specified.)

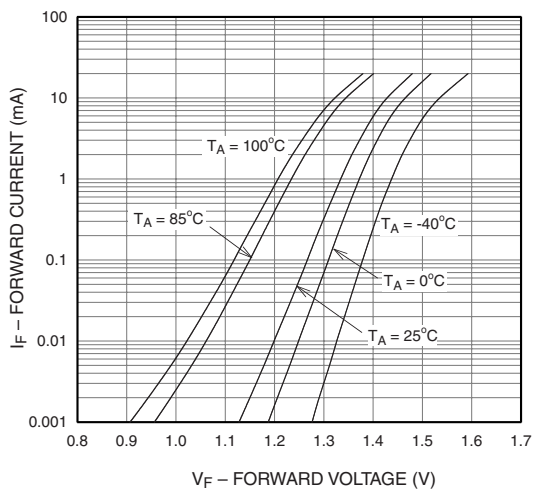
| Symbol    | Characteristics                         | Test Conditions   | Min. | Typ. <sup>(3)</sup> | Max. | Unit          |
|-----------|---|---|------|---------------------|------|---------------|
| $I_{I-O}$ | Input-Output Insulation Leakage Current | Relative humidity = 45%<br>$T_A = 25^{\circ}\text{C}$ , $t = 5$ sec.<br>$V_{I-O} = 3000$ VDC, Note 10 | –    | –                   | 1.0  | $\mu\text{A}$ |
| $V_{ISO}$ | Withstand Insulation Test Voltage       | $R_H < 50\%$ , $T_A = 25^{\circ}\text{C}$<br>$I_{I-O} \leq 2\mu\text{A}$ , $t = 1$ min.,<br>Note 10   | 2500 | –                   | –    | $V_{RMS}$     |
| $R_{I-O}$ | Resistance (Input to Output)            | $V_{I-O} = 500\text{V}$ , Note 10   | –    | $10^{12}$           | –    | $\Omega$      |
| $C_{I-O}$ | Capacitance (Input to Output)           | $f = 1\text{MHz}$ , Note 10   | –    | 0.6                 | –    | pF            |

**Notes:**

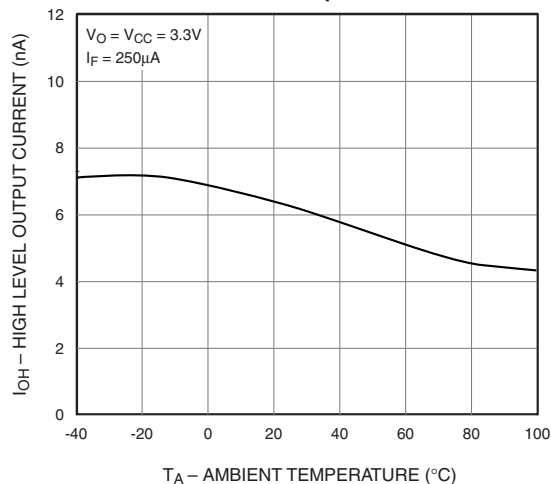
3. All typical values are at  $V_{CC} = 3.3\text{V}$ ,  $T_A = 25^{\circ}\text{C}$  unless otherwise specified.
4.  $t_{PLH}$  – Propagation delay is measured from the 3.75 mA level on the HIGH to LOW transition of the input current pulse to the 1.5V level on the LOW to HIGH transition of the output voltage pulse.
5.  $t_{PHL}$  – Propagation delay is measured from the 3.75 mA level on the LOW to HIGH transition of the input current pulse to the 1.5V level on the HIGH to LOW transition of the output voltage pulse.
6.  $t_r$  – Rise time is measured from the 90% to the 10% levels on the LOW to HIGH transition of the output pulse.
7.  $t_f$  – Fall time is measured from the 10% to the 90% levels on the HIGH to LOW transition of the output pulse.
8.  $CM_H$  – The maximum tolerable rate of rise of the common mode voltage to ensure the output will remain in the high state (i.e.,  $V_{OUT} > 2.0$  V). Measured in volts per microsecond (V/ $\mu\text{s}$ ).
9.  $CM_L$  – The maximum tolerable rate of fall of the common mode voltage to ensure the output will remain in the low output state (i.e.,  $V_{OUT} < 0.8$  V). Measured in volts per microsecond (V/ $\mu\text{s}$ ).
10. Device considered a two-terminal device: Pins 1,2,3 and 4 shorted together, and Pins 5,6,7 and 8 shorted together.
11. The power supply bypass capacitors must be no further than 3mm from the leads of the optocoupler. A low inductance ground plane width of with  $\leq 5\text{nHy}$  of series lead inductance is required.

## Typical Performance Curves

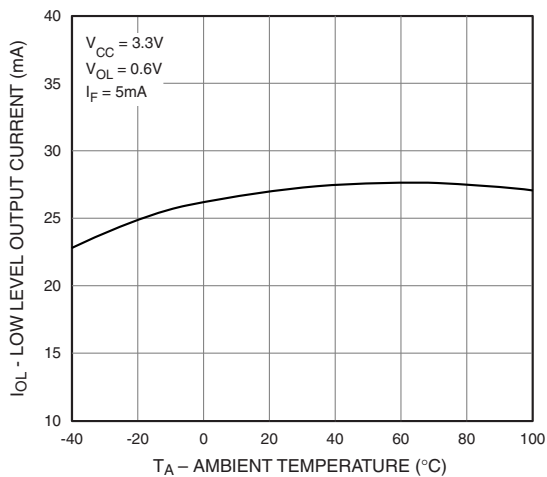
**Fig. 1 Forward Current vs. Forward Voltage**



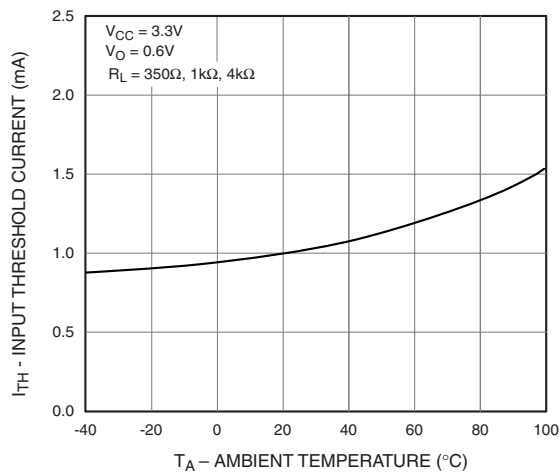
**Fig. 2 High Level Output Current vs. Ambient Temperature**



**Fig. 3 Low Level Output Current vs. Ambient Temperature**

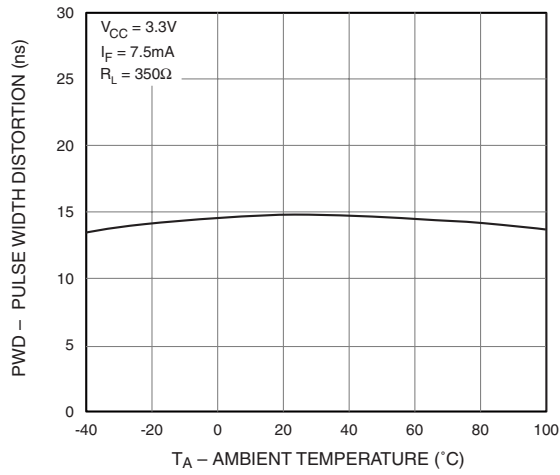


**Fig. 4 Input Threshold Current vs. Temperature**

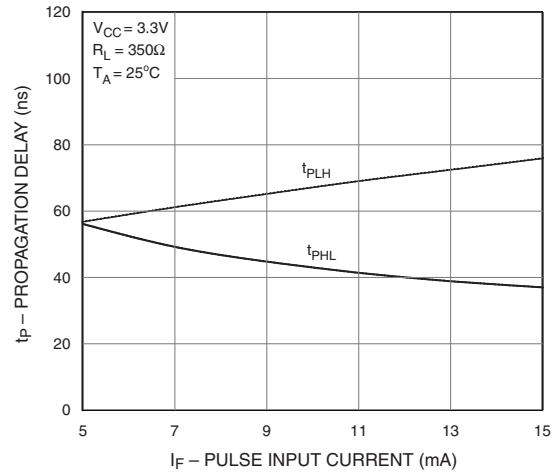


## Typical Performance Curves (Continued)

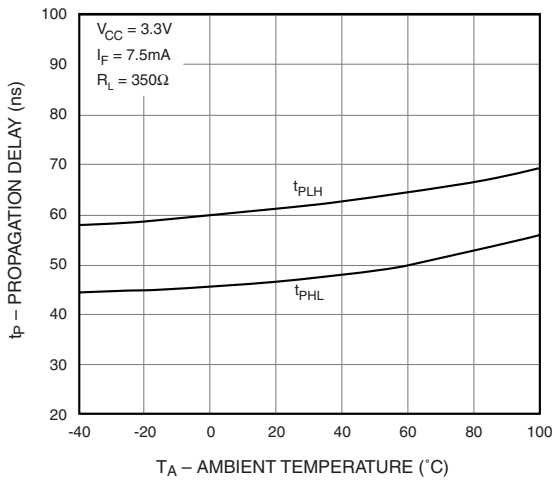
**Fig. 5 Pulse Width Distortion vs. Ambient Temperature**



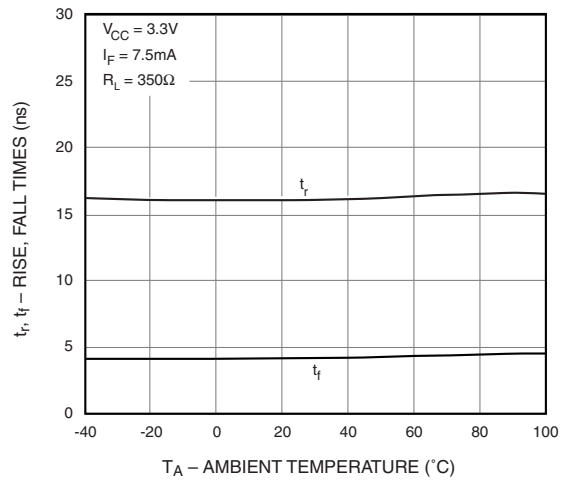
**Fig. 6 Propagation Delay vs. Pulse Input Current**



**Fig. 7 Propagation Delay vs. Ambient Temperature**



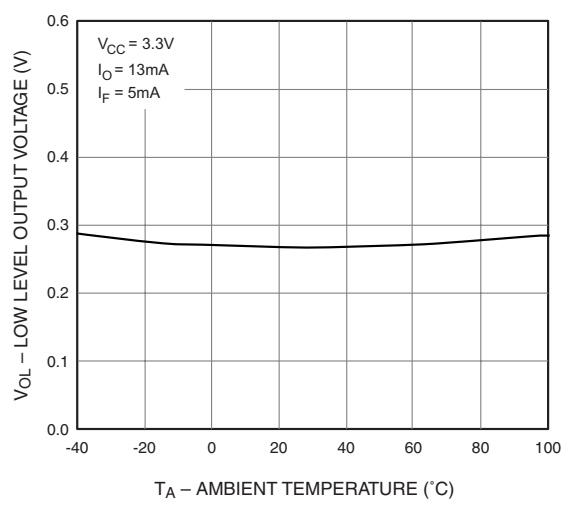
**Fig. 8 Rise and Fall Times vs. Ambient Temperature**





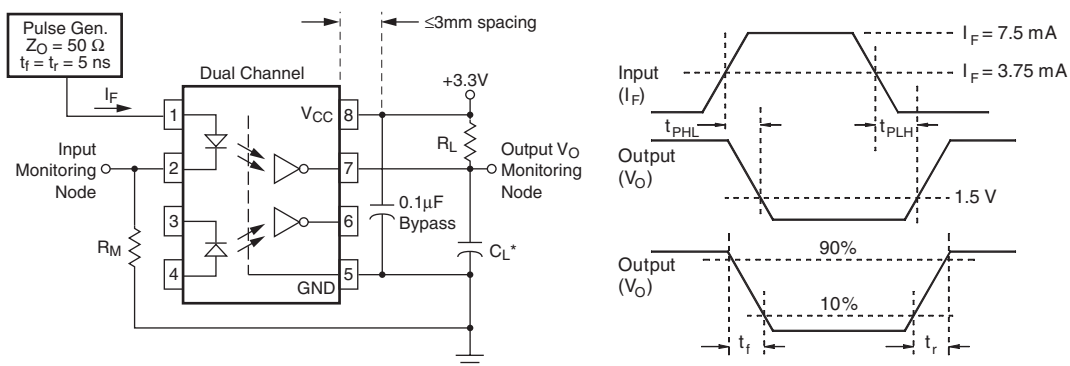
### Typical Performance Curves (Continued)

Fig. 9 Low Level Output Voltage vs. Ambient Temperature

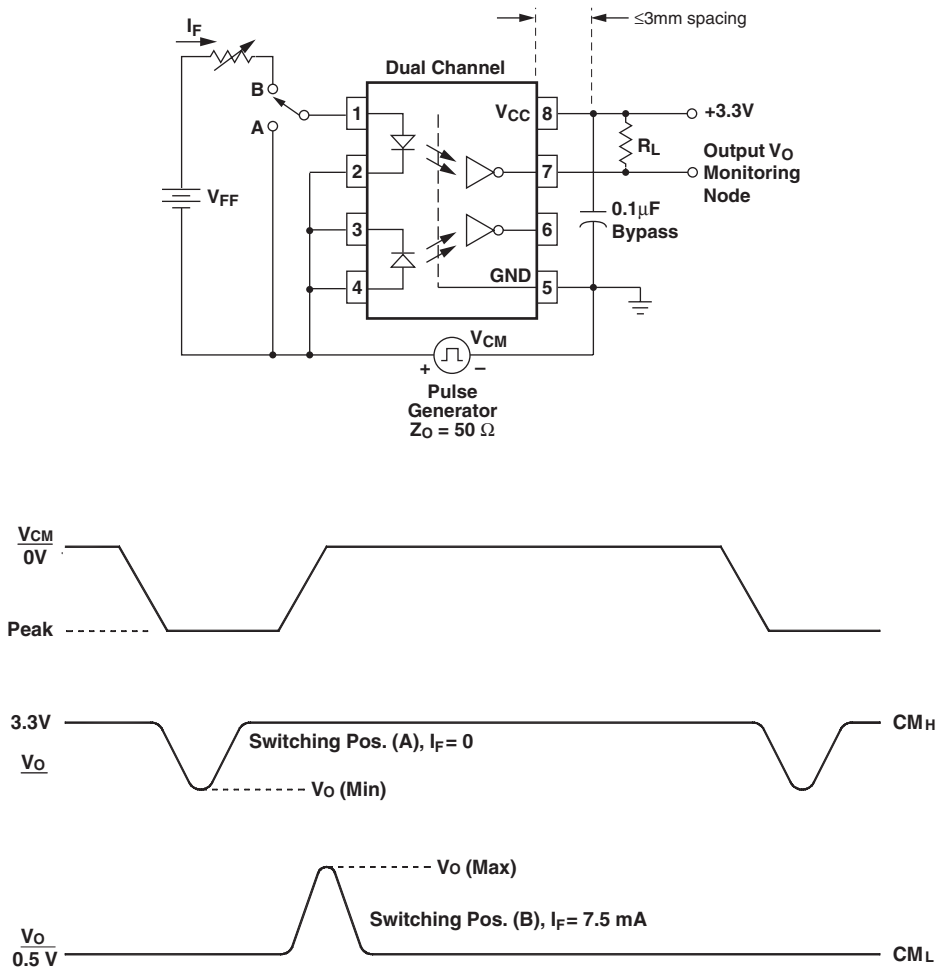


## Test Circuits

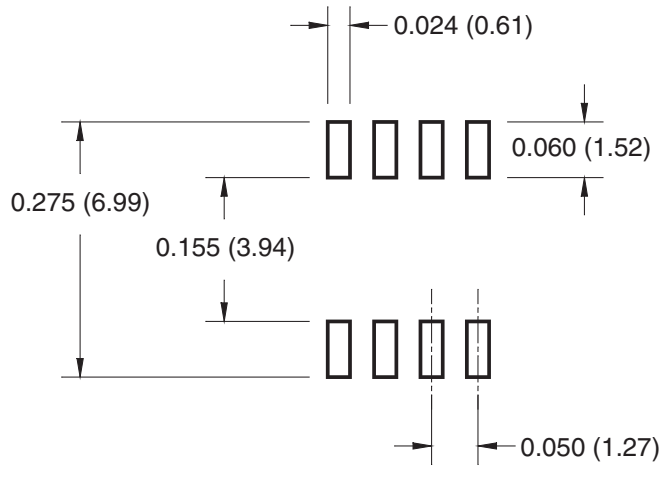
**Fig. 10 Test Circuit and Waveforms for  $t_{PLH}$ ,  $t_{PHL}$ ,  $t_r$  and  $t_f$**



**Fig. 11 Test Circuit and Waveforms for Common Mode Transient Immunity**



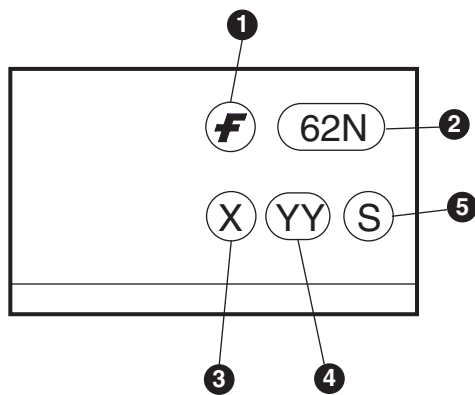
**Footprint**  
**8-Pin Small Outline**



### Ordering Information

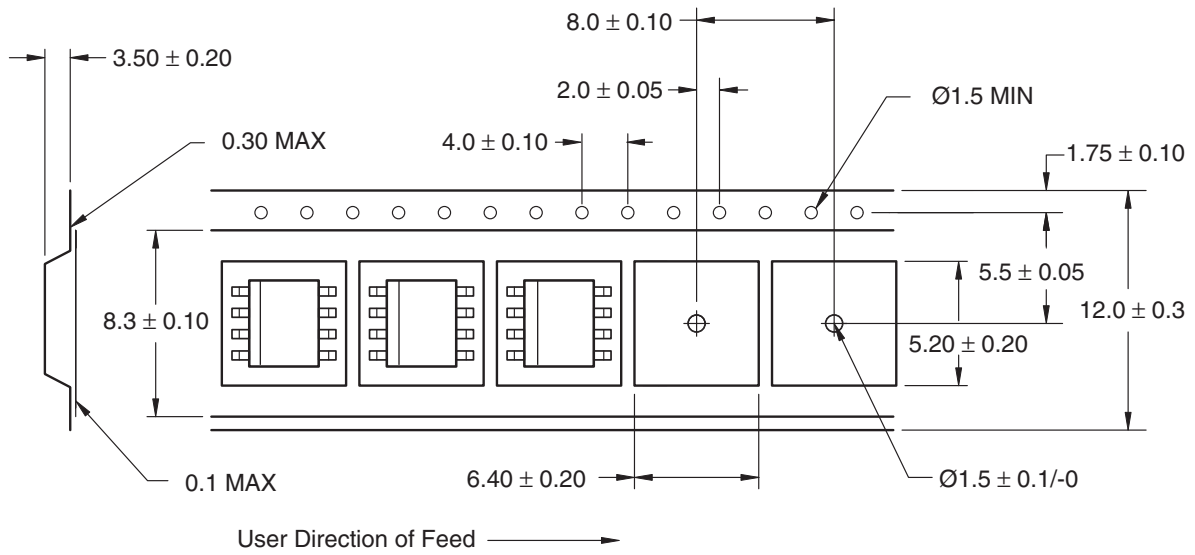
| Option    | Order Entry Identifier | Description                          |
|-----------|------------------------|--------------------------------------|
| No Suffix | HCPL062N               | Shipped in tubes (50 units per tube) |
| R1        | HCPL062NR1             | Tape and Reel (500 units per reel)   |
| R2        | HCPL062NR2             | Tape and Reel (2500 units per reel)  |

### Marking Information

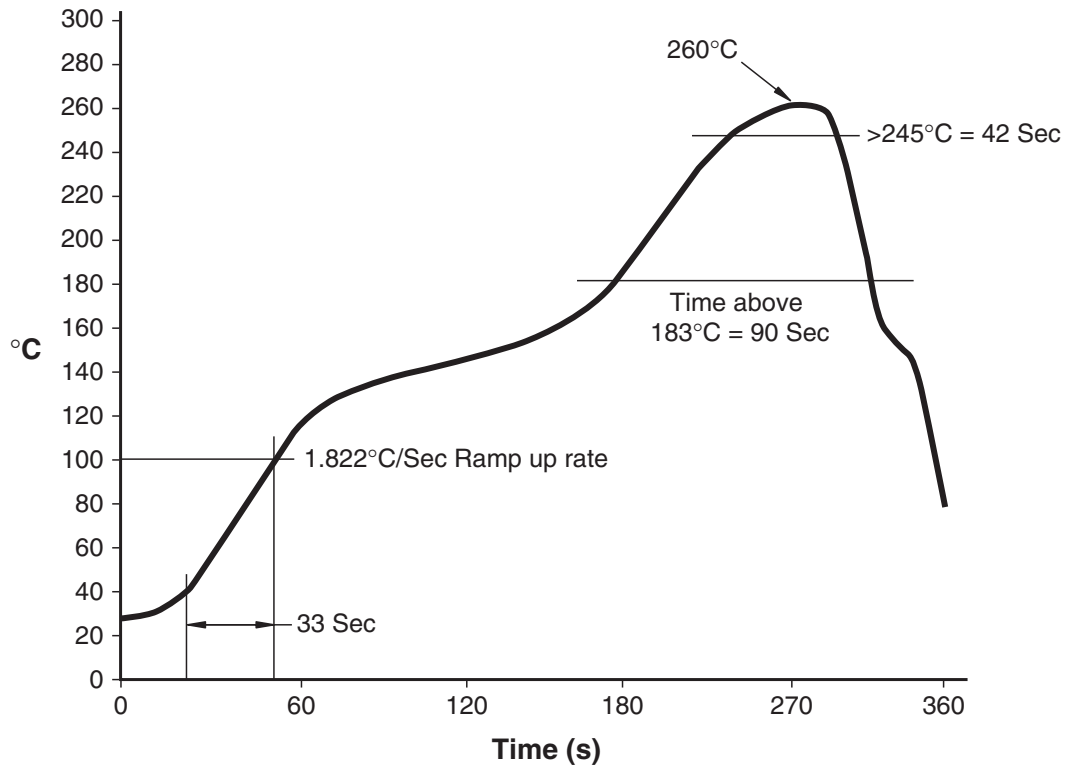


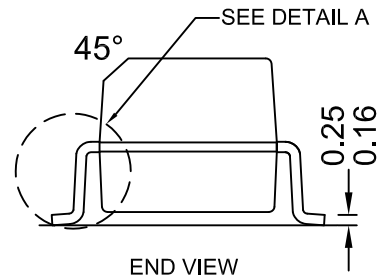
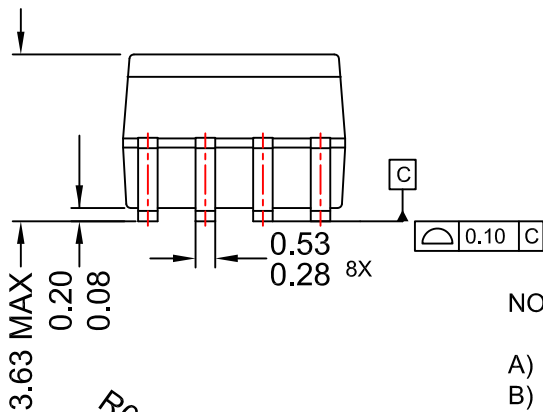
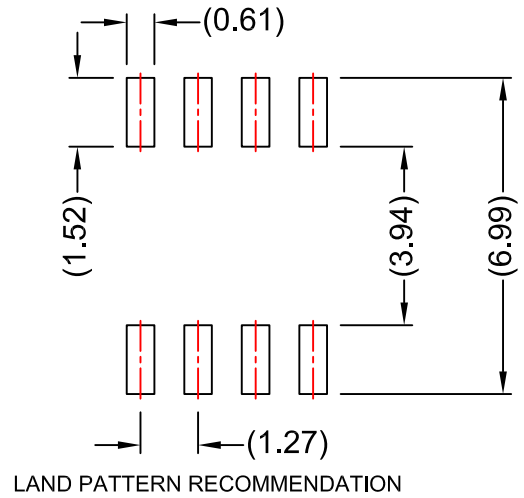
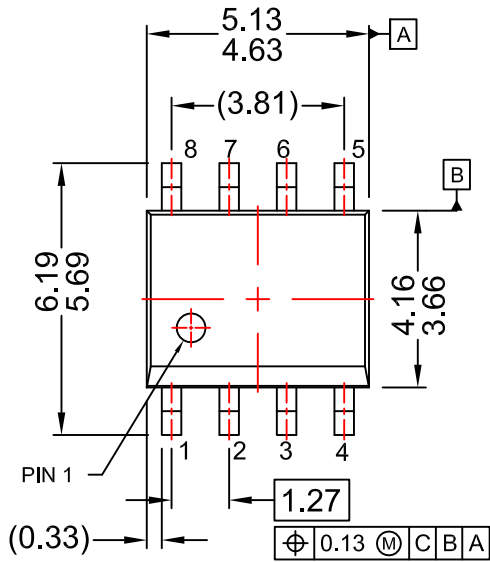
| Definitions |   |
|-------------|---|
| 1           | Fairchild logo                                |
| 2           | Device number                                 |
| 3           | One digit year code, e.g., '3'                |
| 4           | Two digit work week ranging from '01' to '53' |
| 5           | Assembly package code                         |

### Carrier Tape Specification



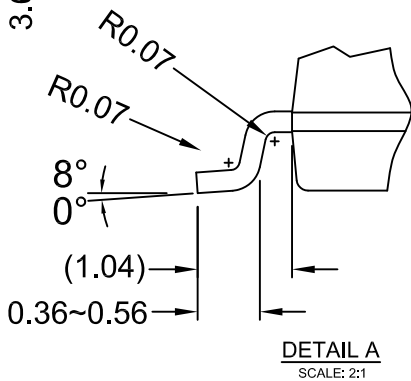
### Reflow Profile





NOTES:

- A) NO STANDARD APPLIES TO THIS PACKAGE
- B) ALL DIMENSIONS ARE IN MILLIMETERS.
- C) DIMENSIONS DO NOT INCLUDE MOLD FLASH OR BURRS.
- D) LANDPATTERN STANDARD: SOIC127P600X175-8M.
- E) DRAWING FILENAME: MKT-M08Erev5



ON Semiconductor and  are trademarks of Semiconductor Components Industries, LLC dba ON Semiconductor or its subsidiaries in the United States and/or other countries. ON Semiconductor owns the rights to a number of patents, trademarks, copyrights, trade secrets, and other intellectual property. A listing of ON Semiconductor's product/patent coverage may be accessed at [www.onsemi.com/site/pdf/Patent-Marking.pdf](http://www.onsemi.com/site/pdf/Patent-Marking.pdf). ON Semiconductor reserves the right to make changes without further notice to any products herein. ON Semiconductor makes no warranty, representation or guarantee regarding the suitability of its products for any particular purpose, nor does ON Semiconductor assume any liability arising out of the application or use of any product or circuit, and specifically disclaims any and all liability, including without limitation special, consequential or incidental damages. Buyer is responsible for its products and applications using ON Semiconductor products, including compliance with all laws, regulations and safety requirements or standards, regardless of any support or applications information provided by ON Semiconductor. "Typical" parameters which may be provided in ON Semiconductor data sheets and/or specifications can and do vary in different applications and actual performance may vary over time. All operating parameters, including "Typicals" must be validated for each customer application by customer's technical experts. ON Semiconductor does not convey any license under its patent rights nor the rights of others. ON Semiconductor products are not designed, intended, or authorized for use as a critical component in life support systems or any FDA Class 3 medical devices or medical devices with a same or similar classification in a foreign jurisdiction or any devices intended for implantation in the human body. Should Buyer purchase or use ON Semiconductor products for any such unintended or unauthorized application, Buyer shall indemnify and hold ON Semiconductor and its officers, employees, subsidiaries, affiliates, and distributors harmless against all claims, costs, damages, and expenses, and reasonable attorney fees arising out of, directly or indirectly, any claim of personal injury or death associated with such unintended or unauthorized use, even if such claim alleges that ON Semiconductor was negligent regarding the design or manufacture of the part. ON Semiconductor is an Equal Opportunity/Affirmative Action Employer. This literature is subject to all applicable copyright laws and is not for resale in any manner.

## PUBLICATION ORDERING INFORMATION

### LITERATURE FULFILLMENT:

Literature Distribution Center for ON Semiconductor  
19521 E. 32nd Pkwy, Aurora, Colorado 80011 USA  
**Phone:** 303-675-2175 or 800-344-3860 Toll Free USA/Canada  
**Fax:** 303-675-2176 or 800-344-3867 Toll Free USA/Canada  
**Email:** [orderlit@onsemi.com](mailto:orderlit@onsemi.com)

**N. American Technical Support:** 800-282-9855 Toll Free  
USA/Canada  
**Europe, Middle East and Africa Technical Support:**  
Phone: 421 33 790 2910  
**Japan Customer Focus Center**  
Phone: 81-3-5817-1050

**ON Semiconductor Website:** [www.onsemi.com](http://www.onsemi.com)  
**Order Literature:** <http://www.onsemi.com/orderlit>  
For additional information, please contact your local  
Sales Representative

# Mouser Electronics

Authorized Distributor

Click to View Pricing, Inventory, Delivery & Lifecycle Information:

[ON Semiconductor:](#)

[HCPL062N](#) [HCPL062NR2](#)