

MICRO SWITCH

A DIVISION OF MINNEAPOLIS-HONEYWELL REGULATOR COMPANY
 FREEPORT, ILLINOIS

SWITCH-ACTUATOR

FED. MFR. CODE 91929

(M) SKETCH 33378
 ISSUE 1

JX-29

M

DRAWING NUMBER

X 2 X 5 6
 ISSUE X 4 X 8

REPLACES

RELEASE NO. PR-20935

14 SEP 05

CHECK RJ

CHECK b

18 DEC 93

CHECK FWF

17 DEC 93

CHECK G1

18 DEC 93

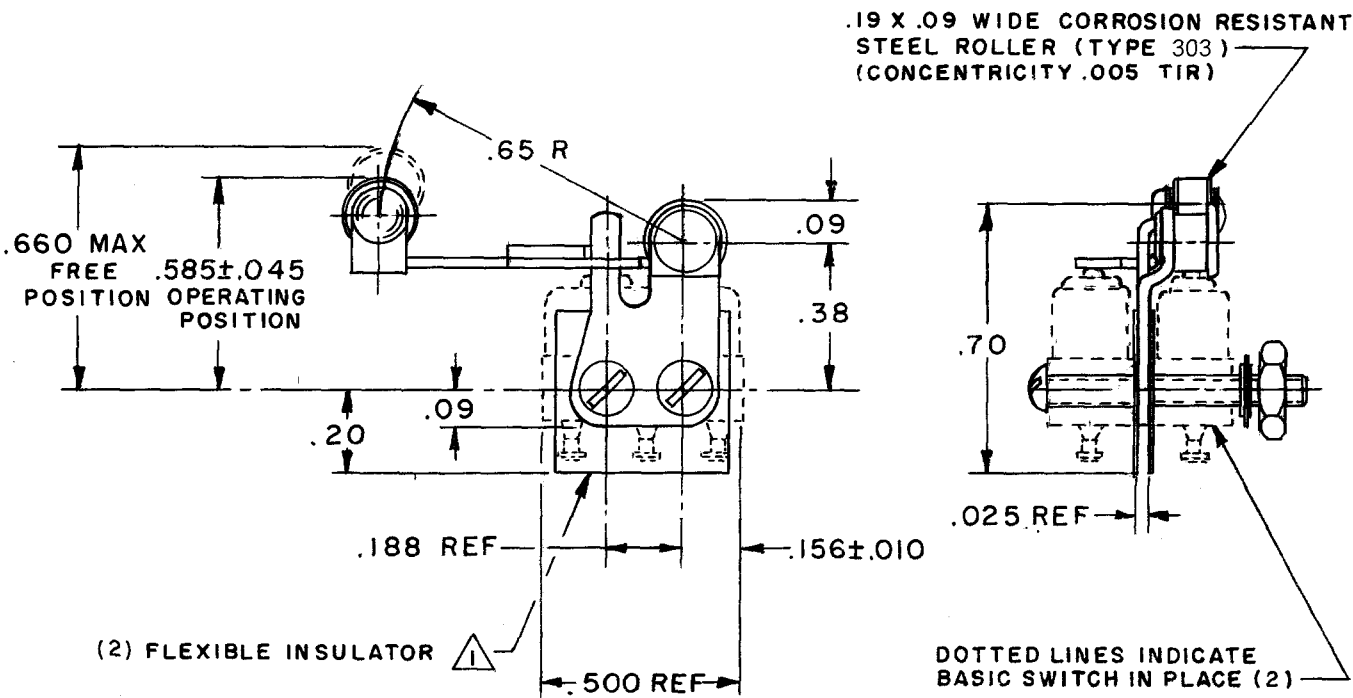
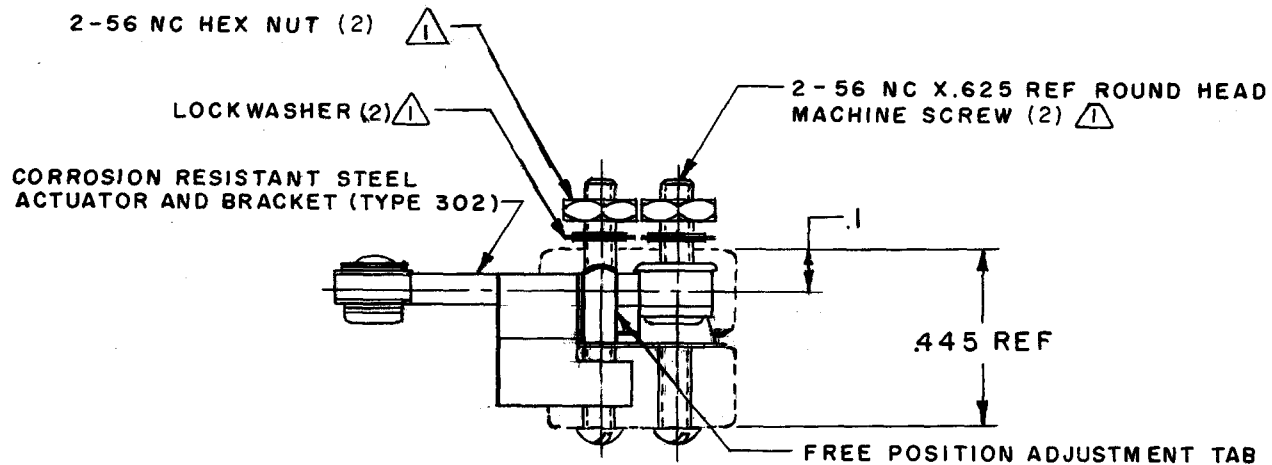
CHECK DAW

19 DEC 93

CHECK 61

DRAWN

M B F



NOTE - \triangle - FURNISHED UNASSEMBLED

THIS DRAWING COVERS A PROPRIETARY ITEM AND IS THE PROPERTY OF MICRO SWITCH, A DIVISION OF MINNEAPOLIS-HONEYWELL REGULATOR CO. THIS DRAWING IS NOT TO BE COPIED OR USED WITHOUT THE APPROVAL OF MICRO SWITCH.

CHARACTERISTICS	WITH ISXI-T BASIC SWITCH INSTALLED
OPERATING FORCE	3 OZ MAX (85 GRAMS MAX)
RELEASE FORCE	8 GRAMS MIN (.29 OZ MIN)
DIFFERENTIAL TRAVEL	.030 MAX
OVERTRAVEL	.020 MIN

ELECTRICAL DATA	
CONTACT ARRANGEMENT	BREAK DISTANCE

SCALE 2 TO 1	
DO NOT SCALE PRINT	
UNLESS OTHERWISE SPECIFIED DIMENSIONS ARE IN INCHES	
TOLERANCES ARE:	
ONE PLACE (.0)	±.030
TWO PLACE (.00)	±.015
THREE PLACE (.000)	±.005
ANGLES	±
WEIGHT	

Mouser Electronics

Authorized Distributor

Click to View Pricing, Inventory, Delivery & Lifecycle Information:

[Honeywell:](#)

[JX-29](#)