

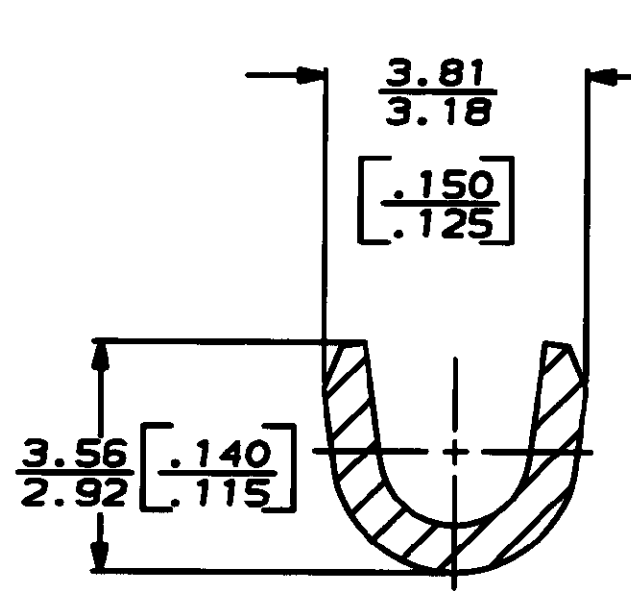
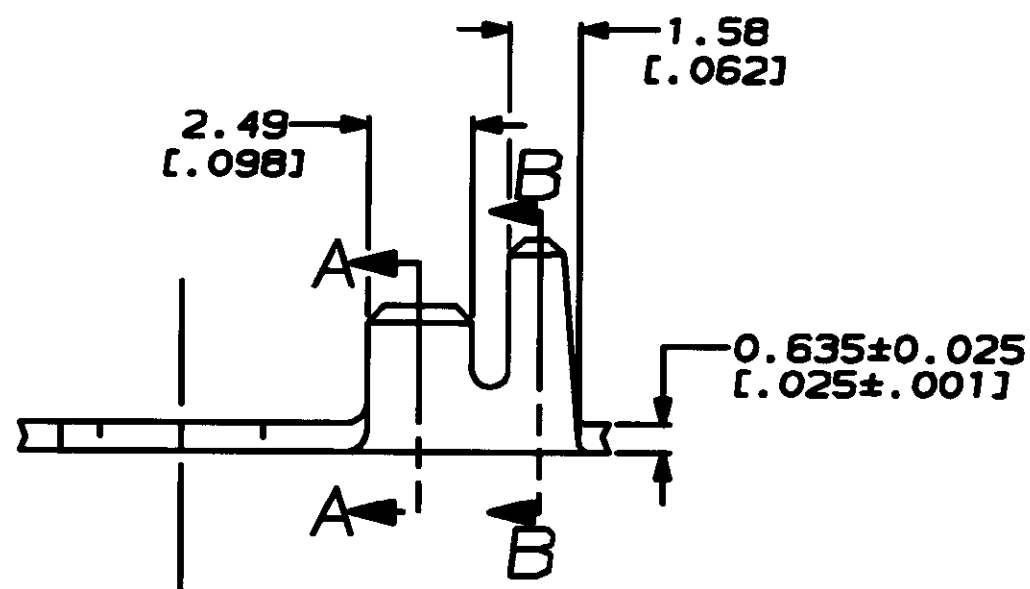
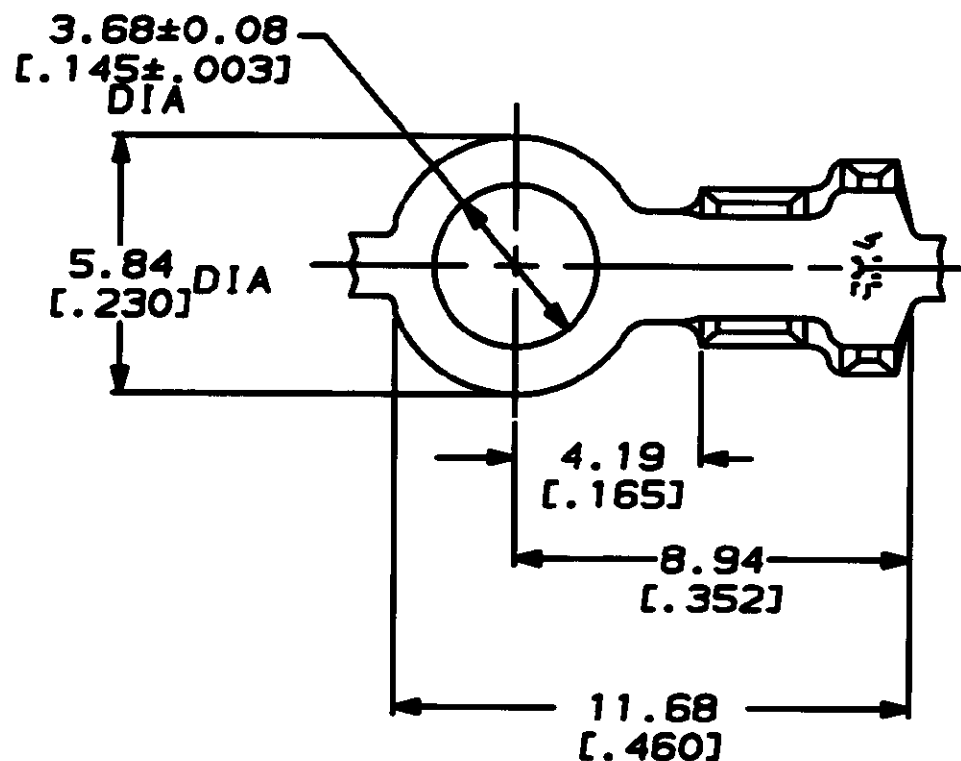
DRAWING MADE IN THIRD ANGLE PROJECTION

THIS DRAWING IS UNPUBLISHED. RELEASED FOR PUBLICATION, 19

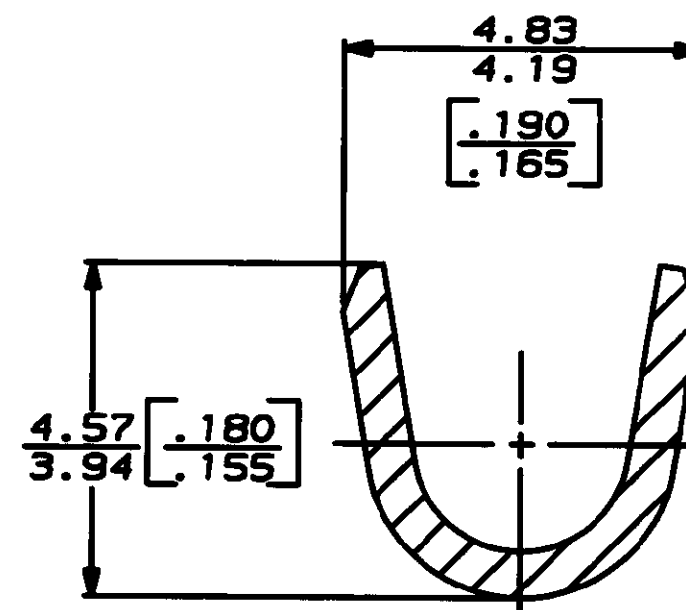
© COPYRIGHT 19 BY AMP INCORPORATED. ALL INTERNATIONAL RIGHTS RESERVED.

LOC	DIST	P	F	ZONE	LTR	DESCRIPTION	DATE	APPD
AF	50				B	REDRAWN PER 0054-94	2/10/94	PF/JR

1 CONTINUOUS STRIP ON REELS



SECTION A-A  
SCALE 10:1



SECTION B-B  
SCALE 10:1

2.29-3.05 [.090-.120] DIA		20-16 AWG	61764-1
INSULATION RANGE		WIRE SIZE	PART NO
<small>DO NOT SCALE PRINT. UNLESS SPECIFIED DIMENSIONS IN IN (INCHES) TOLERANCES ON: 2 PLC DEC = 0.25 L.O.M. 3 PLC DEC = - ANGLES = -</small>		<b>AMP</b> AMP INCORPORATED Harrisburg, Pa. 17108	
DR 2/16/94 PULL P H PERREY CHK 2/16/94 APPD 2/16/94 APPD 2/16/94 MATERIAL 082 BRASS FINISH WEIGHT -		NAME <b>RING</b> SIZE <b>B</b> CASE CODE 00779 DRAWING NO 61764 SCALE 6:1 SHEET 1 OF 1	

# Mouser Electronics

Authorized Distributor

Click to View Pricing, Inventory, Delivery & Lifecycle Information:

[TE Connectivity:](#)

[61764-1](#)