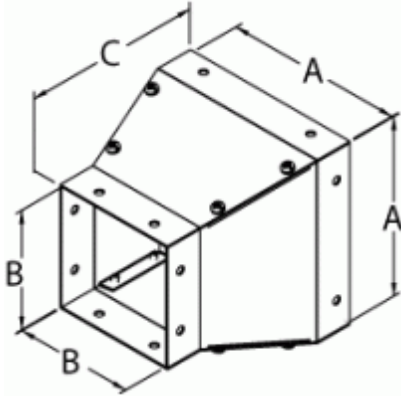




*Quality Products. Service Excellence.*

## Reducer *CWRD Series*



Part No.	Size
CWRD42	4x4 to 2.5x2.5
CWRD64	6x6 to 4x4
CWRD86	8x8 to 6x6
CWRD108	10x10 to 8x8
CWRD128	12x12 to 8x8
CWRD1210	12x12 to 10x10

*Data subject to change without notice*



© 2020. Hammond Manufacturing Ltd. All rights reserved.

# Mouser Electronics

Authorized Distributor

Click to View Pricing, Inventory, Delivery & Lifecycle Information:

[Hammond:](#)

[CWRD108](#) [CWRD128](#) [CWRD1210](#) [CWRD42](#) [CWRD64](#) [CWRD86](#)