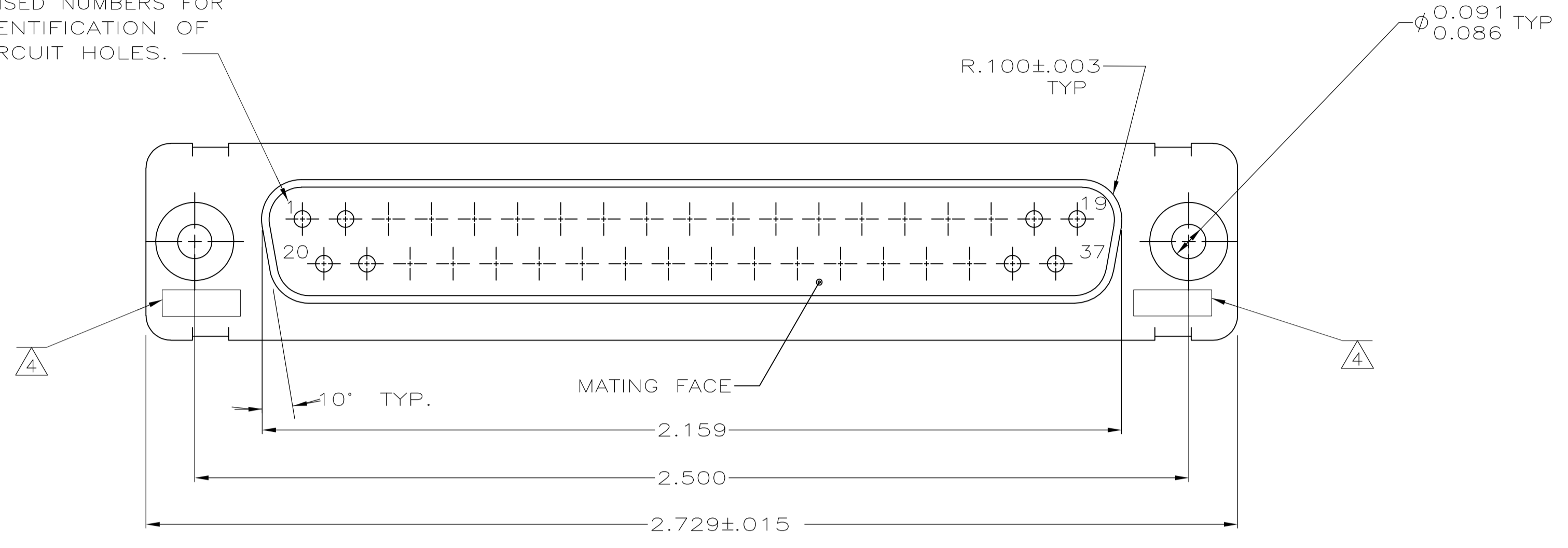
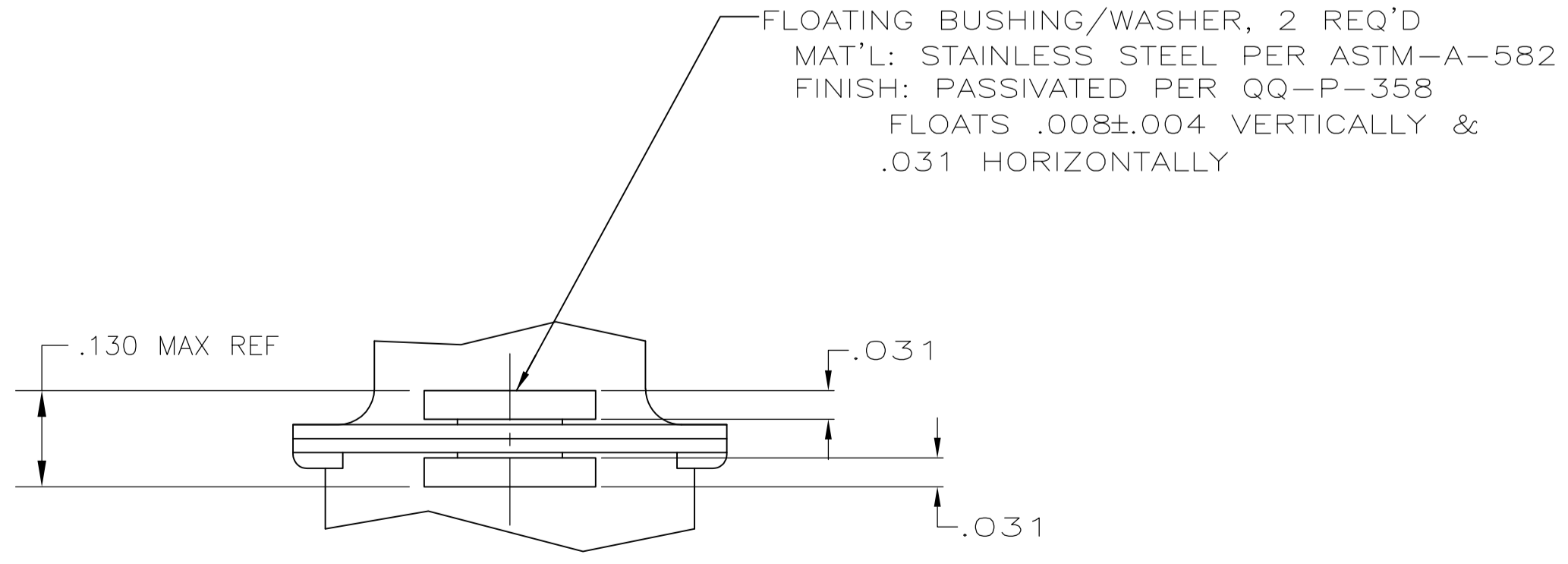
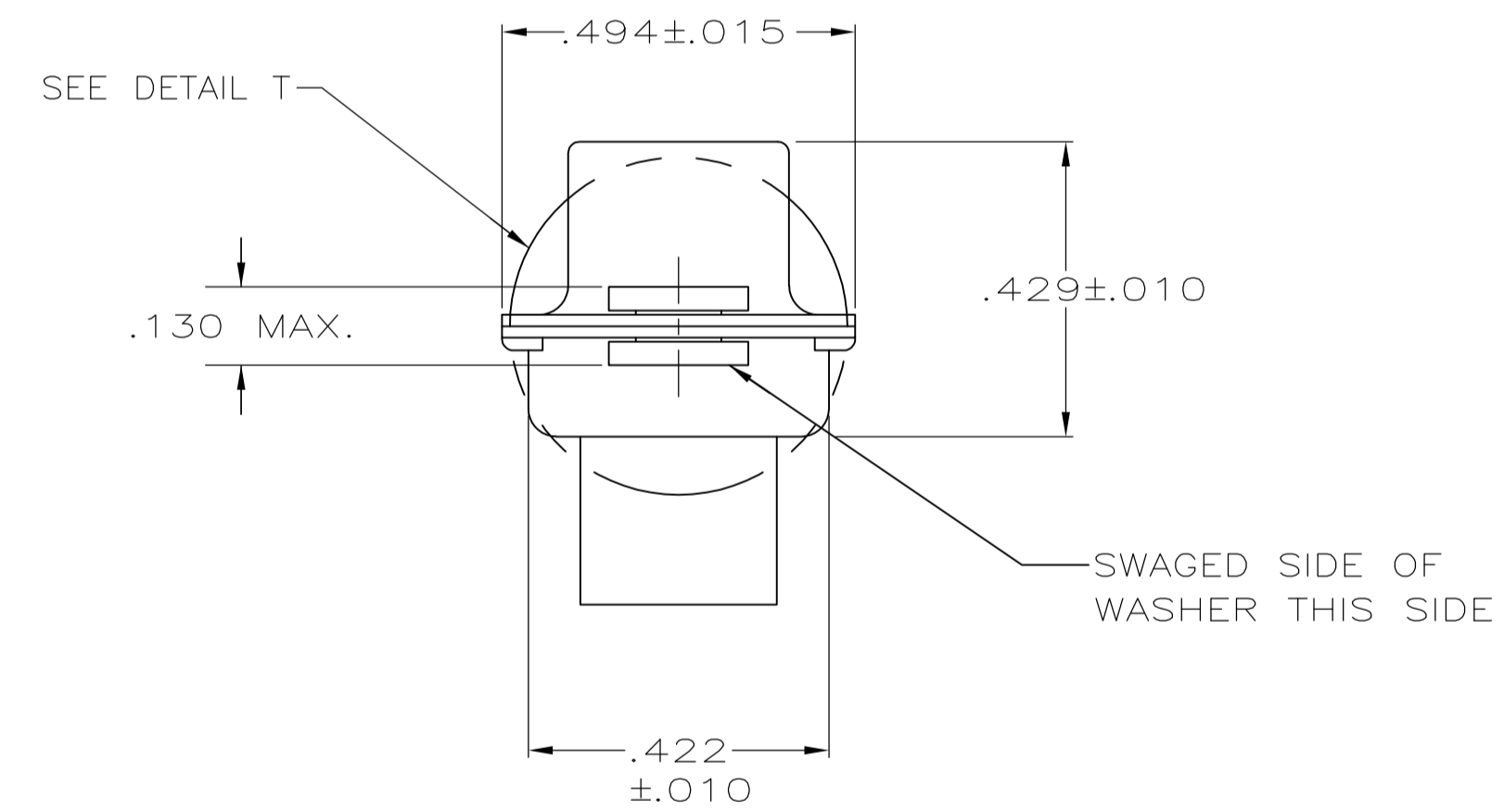
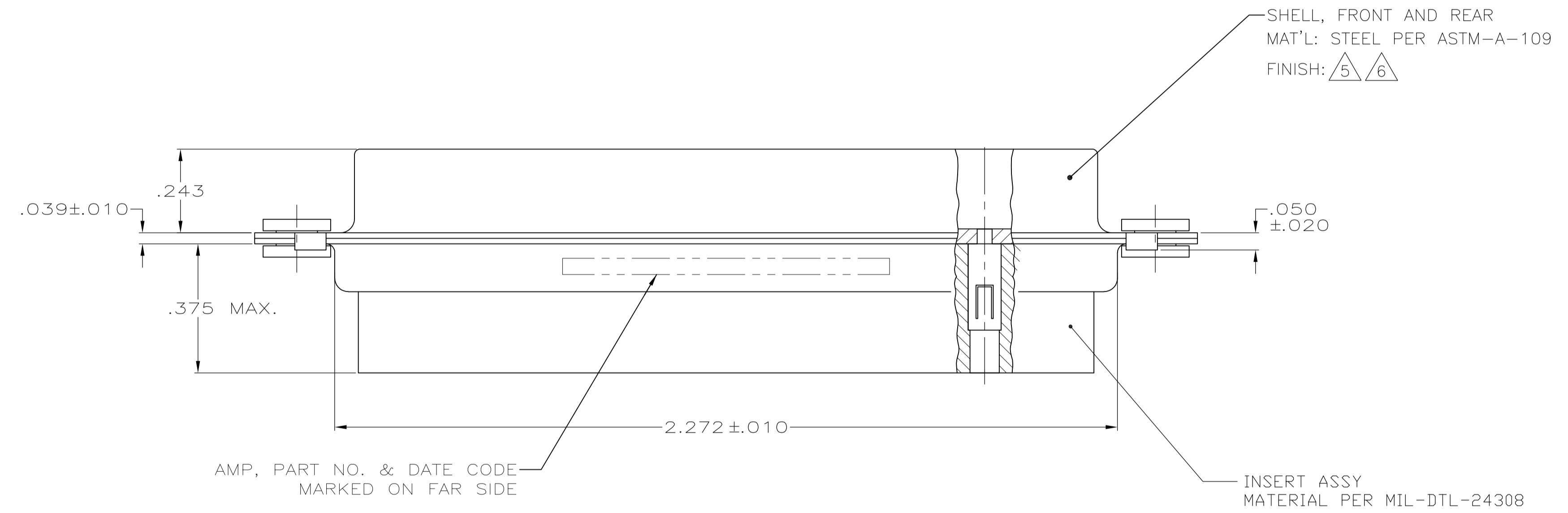


LOC		DIST		REVISIONS			
P	LTR	DESCRIPTION	DATE	DMN	APVD		
B		REV PER ECO 15-005909	5-19-15	CT	DM		

RAISED NUMBERS FOR IDENTIFICATION OF CIRCUIT HOLES.



1. MAXIMUM WIRE INSULATION TO BE USED WITH THIS PLUG IS .068 DIA.
2. STAINLESS STEEL RETENTION CLIPS ARE INCLUDED IN INSERTS.
3. THIS PLUG WILL ACCEPT SIZE 20 PIN CONTACT M39029/64-369 OR AMP PART NUMBER 205089-1.
4. UL/CSA DESIGNATION MARKED IN THIS AREA, OPTIONAL
5. FINISH: CADMIUM PER QQ-P-416
6. FINISH: ZINC PLATED PER ASTM-B-633, .000200-.000400 THK WITH SUPPLEMENTARY CHROMATE (Cr3+)



DETAIL T
SCALE 6:1

PLATED PER 6	5-1484949-1
PLATED PER 5	1484949-1
DESCRIPTION	PART NUMBER

THIS DRAWING IS A CONTROLLED DOCUMENT.

DIMENSIONS: INCHES	TOLERANCES UNLESS OTHERWISE SPECIFIED:	DIN C.C.THOMAS 8-28-02	NAME
0 PLC ± -	1 PLC ± -	CHK D.MILLER 8-28-02	RCPT. ASSEMBLY,AMPLIMITE
2 PLC ± -	3 PLC ± .005	APVD D.MILLER 8-28-02	37 POSN,SIZE 4, SERIES 109
4 PLC ± -	ANGLES ± # 0° 30'	PRODUCT SPEC	BLINDMATE, REVERSE GENDER
MATERIAL SEE CALLOUTS	FINISH SEE CALLOUTS	APPLICATION SPEC	SIZE A1
		WEIGHT	SCALE 4:1
		CUSTOMER DRAWING	SHEET 1 OF 1

STE TE Connectivity

00779C=1484949

Mouser Electronics

Authorized Distributor

Click to View Pricing, Inventory, Delivery & Lifecycle Information:

[TE Connectivity:](#)

[1484949-1](#)