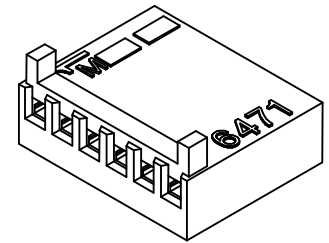
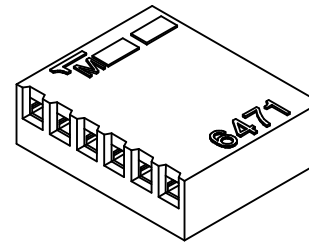
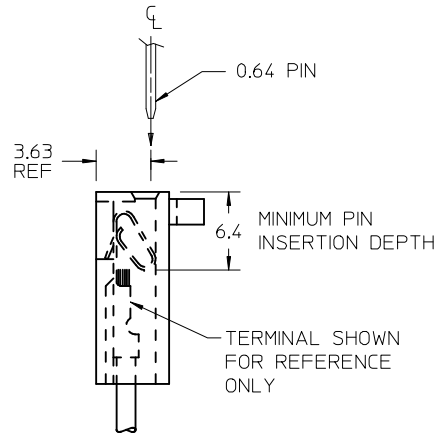
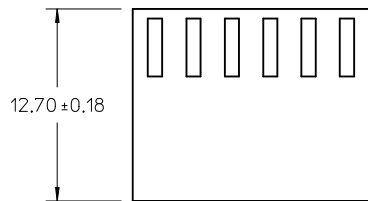
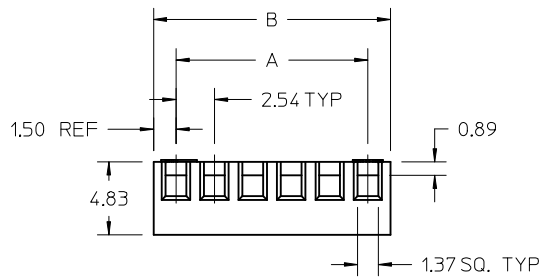
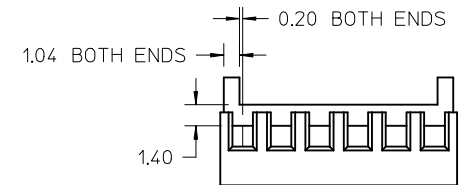


13		12	11	10	9	8	7	6	5	4	3	2	1
J	22	53.34±0.35	56.34±0.35										
	21	50.80±0.35	53.80±0.35										
	20	48.26±0.35	51.26±0.35										
	19	45.72±0.35	48.72±0.35										
	18	43.18±0.35	46.18±0.35										
I	17	40.64±0.35	43.64±0.35										
	16	38.10±0.35	41.10±0.35										
	15	35.56±0.35	38.56±0.35										
	14	33.02±0.35	36.02±0.35										
H	13	30.48±0.35	33.48±0.35										
	12	27.94±0.35	30.94±0.35										
	11	25.40±0.35	28.40±0.35										
	10	22.86±0.35	25.86±0.35										
	9	20.32±0.35	23.32±0.35										
G	8	17.78±0.35	20.78±0.35										
	7	15.24±0.35	18.24±0.35										
	6	12.70±0.15	15.70±0.15										
	5	10.16±0.15	13.16±0.15										
F	4	7.62±0.15	10.62±0.15										
	3	5.08±0.15	8.08±0.15										
	2	2.54±0.15	5.54±0.15										
	No. OF CCTS	DIM A	DIM B										



SHOWN WITH OPTIONAL RAMP AND POLARIZATION RIBS



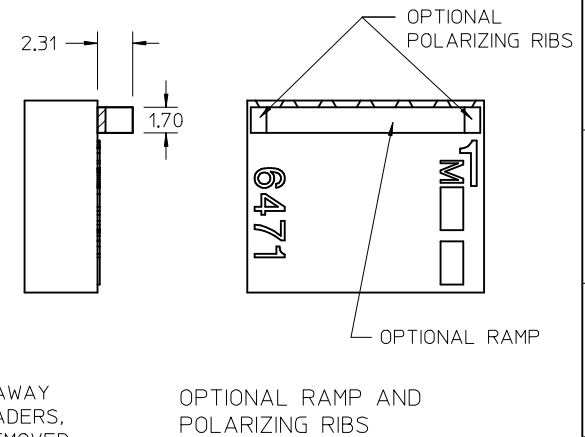
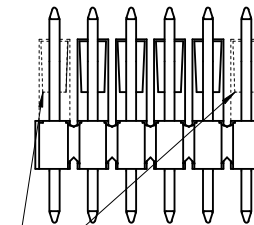
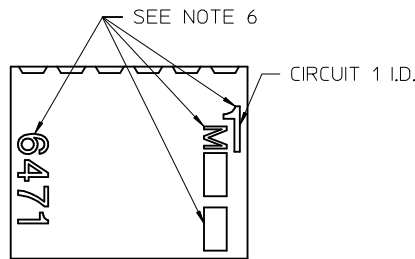
LEGEND

E-6471-*N*

MATERIAL
BLANK= NATURAL

OF CIRCUITS

OPTION CODE
BLANK=NO RAMP OR POLARIZATION RIB
I= RAMP AND POLARIZATION RIB



- NOTES:
- MATERIAL:
BLANK: POLYAMIDE (PA66/6), UL94V-0, COLOR: NATURAL (WHITE)
 - FINISH: N/A
 - PRODUCT SPECIFICATION: PS-99020-0088
 - PACKAGING: BULK
 - FOR USE WITH TERMINAL SERIES 2759, 41572, 4809, 6459, AND 8088.
 - TEXT MAY BE PRESENT ON EITHER SIDE OF PART.
 - THIS PART CONFORMS TO CLASS B REQUIREMENTS OF COSMETIC SPECIFICATION PS-45499-002.

ADD HEADER VIEW	2013/10/02	QUALITY SYMBOLS
EC NO: UCP2014-1471	2013/10/02	▽=0
DRW:WIKIPPER	2013/10/02	▽=0
CHK:DANDERSON	2013/10/02	▽=0
APPR:FSMITH	2013/10/09	▽=0
REV: G2		

GENERAL TOLERANCES (UNLESS SPECIFIED)	
mm	INCH
4 PLACES ± ---	± ---
3 PLACES ± ---	± ---
2 PLACES ± 0.15	± ---
1 PLACE ± 0.25	± ---
0 PLACE ±	±
ANGULAR ± ---°	
DRAFT WHERE APPLICABLE MUST REMAIN WITHIN DIMENSIONS	

DIMENSION STYLE MM ONLY	
DRAWN BY	DATE
SF	2000/07/14
CHECKED BY	DATE
DWASZKIEWICZ	2006/02/27
APPROVED BY	DATE
FSMITH	2011/10/11
MATERIAL NO.	
SEE CHART	
SIZE	
C	

SCALE 4:1	DESIGN UNITS METRIC	THIRD ANGLE PROJECTION
TITLE KK 2.54MM CRIMP TERMINAL HOUSING		
molex		
DOCUMENT NO. SD-6471-N*-**	SHEET NO. 1 OF 2	
THIS DRAWING CONTAINS INFORMATION THAT IS PROPRIETARY TO MOLEX. INCORPORATED AND SHOULD NOT BE USED WITHOUT WRITTEN PERMISSION		

E-6471-N		
PART No.	ENG No.	No. OF CIRCUITS
22-01-2026	E-6471-2	2
↑ -2036	↑ -3	3
-2046	-4	4
-2056	-5	5
-2066	-6	6
-2076	-7	7
-2086	-8	8
-2096	-9	9
-2106	-10	10
-2116	-11	11
-2126	-12	12
-2136	-13	13
-2146	-14	14
-2156	-15	15
-2166	-16	16
-2176	-17	17
-2186	-18	18
-2196	-19	19
-2206	-20	20
↓ -2216	↓ -21	21
22-01-2226	E-6471-22	22

E-6471-NI		
PART No.	ENG No.	No. OF CIRCUITS
22-01-2025	E-6471-02I	2
↑ -2035	↑ -03I	3
-2045	-04I	4
-2055	-05I	5
-2065	-06I	6
-2075	-07I	7
-2085	-08I	8
-2095	-09I	9
-2105	-10I	10
-2115	-11I	11
-2125	-12I	12
-2135	-13I	13
-2145	-14I	14
-2155	-15I	15
-2165	-16I	16
-2175	-17I	17
-2185	-18I	18
-2195	-19I	19
-2205	-20I	20
↓ -2215	↓ -21I	21
22-01-2225	E-6471-22I	22

SEE SHEET 1 EC NO: UCP2014-1471 DRWN:KIPPER 2013/10/02 CHKD:ANDERSON 2013/10/02 APPR:FSMITH 2013/10/09	QUALITY SYMBOLS	GENERAL TOLERANCES (UNLESS SPECIFIED)	DIMENSION STYLE MM ONLY	SCALE 1:1	DESIGN UNITS METRIC	THIRD ANGLE PROJECTION
	▽=0	mm INCH	DRAWN BY DATE SF 2000/07/14	TITLE KK 2.54MM CRIMP TERMINAL HOUSING		
	▽=0	4 PLACES ± --- ± ---	CHECKED BY DATE DWASZKIEWICZ 2006/02/27			
	▽=0	3 PLACES ± --- ± ---	APPROVED BY DATE FSMITH 2011/10/11	molex DOCUMENT NO. SD-6471-N***		
▽=0	2 PLACES ± 0.15 ± ---	MATERIAL NO.	SHEET NO. 2 OF 2			
	1 PLACE ± 0.25 ± ---	DRAFT WHERE APPLICABLE MUST REMAIN WITHIN DIMENSIONS		THIS DRAWING CONTAINS INFORMATION THAT IS PROPRIETARY TO MOLEX INCORPORATED AND SHOULD NOT BE USED WITHOUT WRITTEN PERMISSION		
	0 PLACE ± ±	SIZE C				

Mouser Electronics

Authorized Distributor

Click to View Pricing, Inventory, Delivery & Lifecycle Information:

[Molex:](#)

[22-01-2215](#)