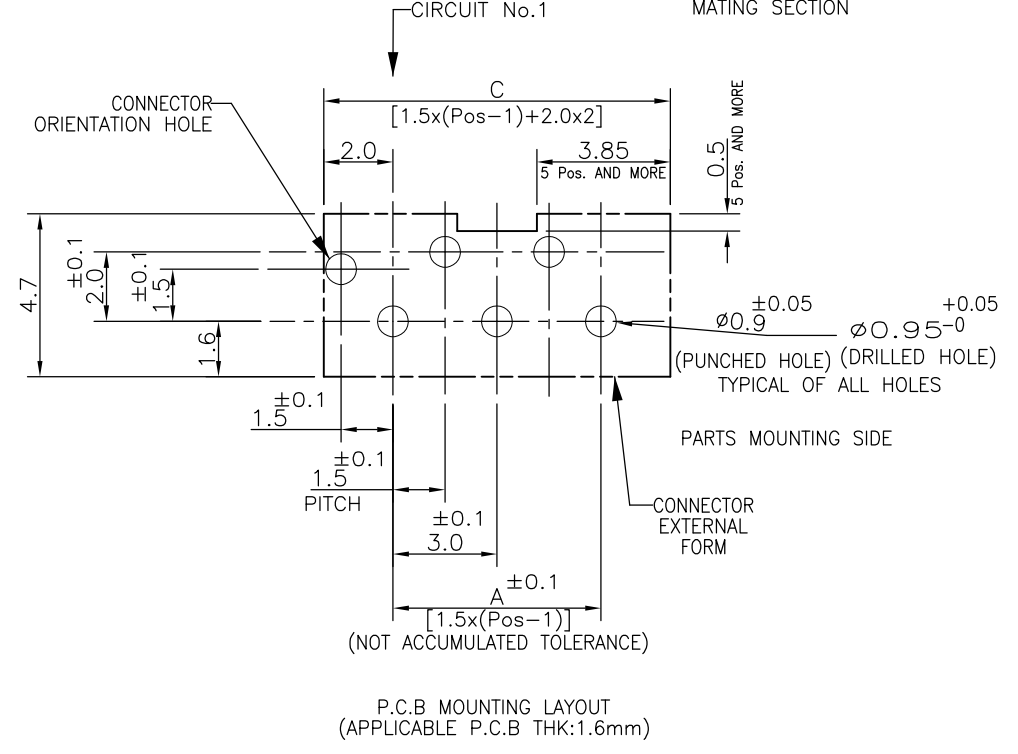
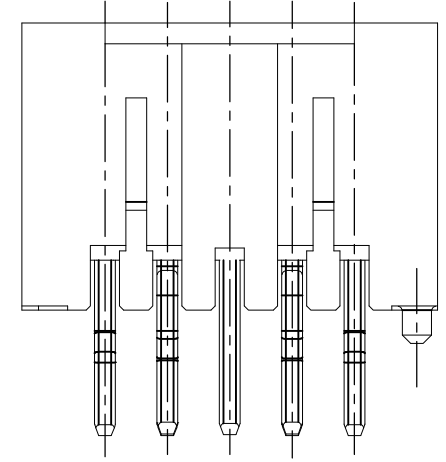
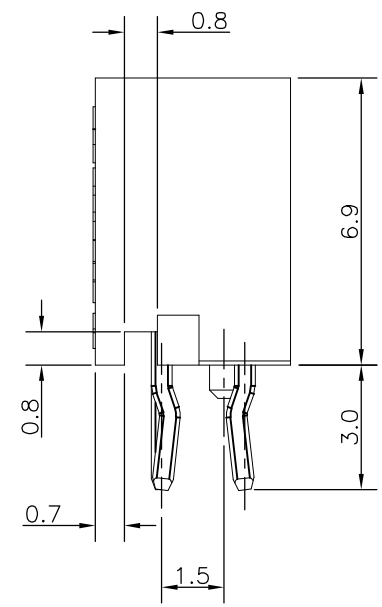
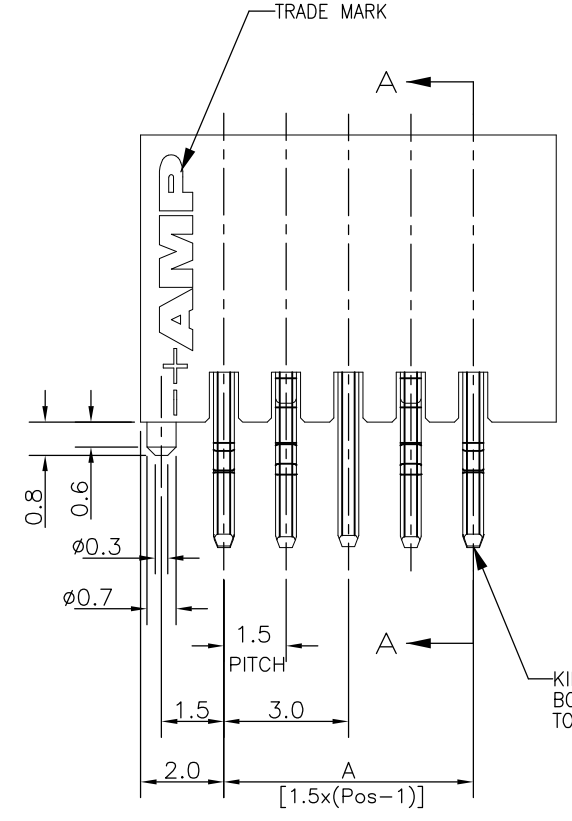
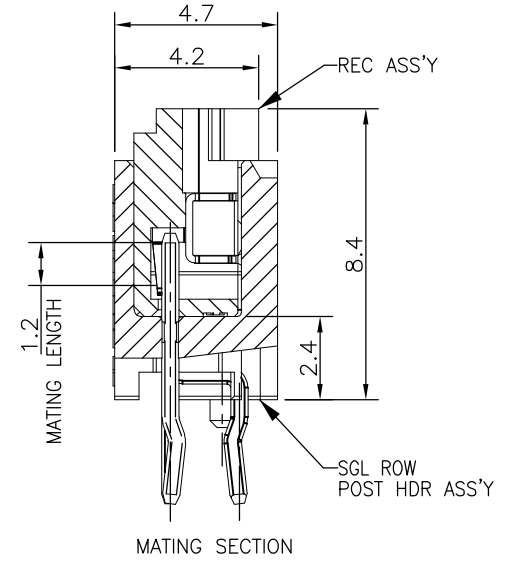
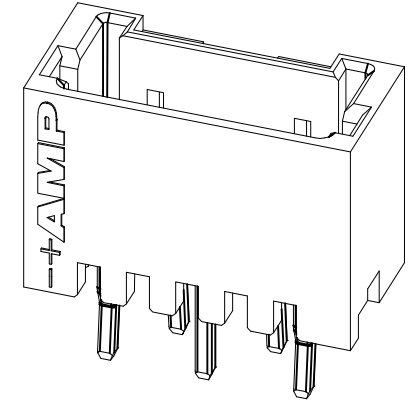
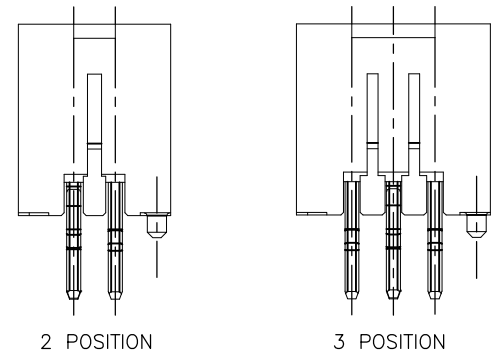
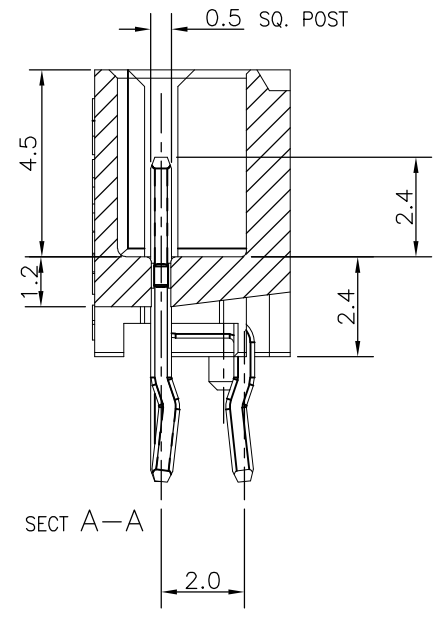
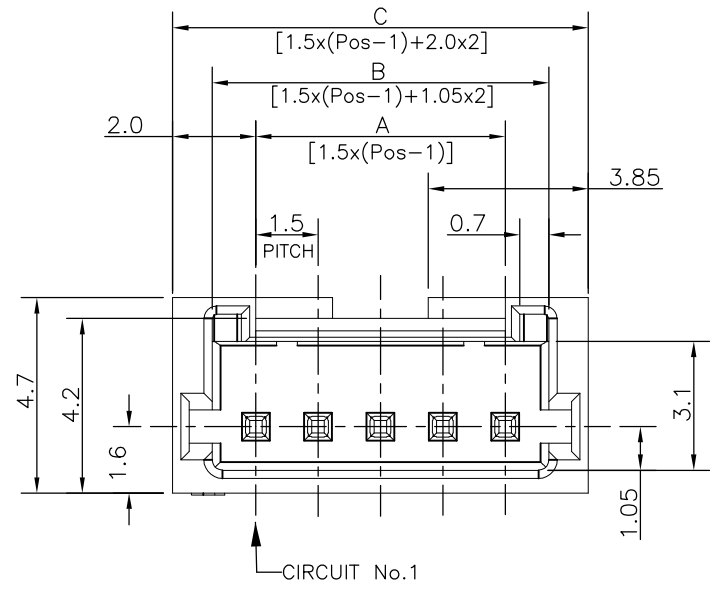


THIS DRAWING IS UNPUBLISHED. RELEASED FOR PUBLICATION
 © COPYRIGHT - By - ALL RIGHTS RESERVED.

LOC	DIST	REVISIONS					
ES	00	P	LTR	DESCRIPTION	DATE	DWN	APVD
		A1		REVISED PER ECO-11-005033	11MAR11	RK	HMR



NOTES:
 1. MATERIAL:
 HOUSING: NYLON(G.F.) UL94V-0, COLOR: GRAY, BLUE
 POST: PRE-TIN 0.5mm SQ. BRASS WIRE

TOLERANCES UNLESS OTHERWISE SPECIFIED:

10 > *	:	±0.2
30 > * > 10	:	±0.25
100 > * > 30	:	±0.3
ANGLE	:	±3°

THIS DRAWING IS A CONTROLLED DOCUMENT.

DIMENSIONS:	TOLERANCES UNLESS OTHERWISE SPECIFIED:
mm	
	0 PLC ± -
	1 PLC ± -
	2 PLC ± -
	3 PLC ± -
	4 PLC ± -
	ANGLES ± -
MATERIAL	FINISH
SEE NOTE 1	SEE NOTE 1

DWN	S.YAO	31JAN03	TE Connectivity AMP Mini CT Connector 1.5mm Pitch Single Row Post HDR Ass'y (V) DIP Staggered Type with Boss with Kink					
CHK	S.YAO	31JAN03						
APVD	T. SASAKI	31JAN03						
PRODUCT SPEC	NAME							
APPLICATION SPEC	108 - 60018		SIZE	CAGE CODE	DRAWING NO	RESTRICTED TO		
WEIGHT	SEE TABLE		A3	00779	C-292207	-		
CUSTOMER DRAWING			SCALE	-	SHEET	1 OF 2	REV	A1

LOC	DIST	REVISIONS					
ES	00	P	LTR	DESCRIPTION	DATE	DWN	APVD
		-		SEE SHEET 1	-	-	-


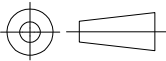
0.96	32.5	30.6	28.5	20	7-292207-0	2-292207-0
0.91	31.0	29.1	27.0	19	6-292207-9	1-292207-9
0.87	29.5	27.6	25.5	18	6-292207-8	1-292207-8
0.82	28.0	26.1	24.0	17	6-292207-7	1-292207-7
0.78	26.5	24.6	22.5	16	6-292207-6	1-292207-6
0.73	25.0	23.1	21.0	15	6-292207-5	1-292207-5
0.69	23.5	21.6	19.5	14	6-292207-4	1-292207-4
0.64	22.0	20.1	18.0	13	6-292207-3	1-292207-3
0.60	20.5	18.6	16.5	12	6-292207-2	1-292207-2
0.55	19.0	17.1	15.0	11	6-292207-1	1-292207-1
0.51	17.5	15.6	13.5	10	6-292207-0	1-292207-0
0.46	16.0	14.1	12.0	9	5-292207-9	292207-9
0.42	14.5	12.6	10.5	8	5-292207-8	292207-8
0.37	13.0	11.1	9.0	7	5-292207-7	292207-7
0.33	11.5	9.6	7.5	6	5-292207-6	292207-6
0.28	10.0	8.1	6.0	5	5-292207-5	292207-5
0.24	8.5	6.6	4.5	4	5-292207-4	292207-4
0.19	7.0	5.1	3.0	3	5-292207-3	292207-3
0.16	5.5	3.6	1.5	2	5-292207-2	292207-2
WEIGHT (g)	C	B	A	Pos.	BLUE	GRAY
	DIMENSIONS				P/N	

RELEASED FOR PUBLICATION

ALL RIGHTS RESERVED.

THIS DRAWING IS UNPUBLISHED.

By -
COPYRIGHT -

DIMENSIONS: mm	DWN	-	MATERIAL	-	FINISH	-
	CHK	-	 TE Connectivity			
TOLERANCES UNLESS OTHERWISE SPECIFIED:	APVD	-				
0 PLC ± -	PRODUCT SPEC	-	NAME			
1 PLC ± SEE SHEET	APPLICATION SPEC	-	AMP Mini CT Connector 1.5mm Pitch			
2 PLC ± 1 OF 2	WEIGHT	-	SIZE	CAGE CODE	DRAWING NO	RESTRICTED TO
3 PLC ± -			A4	00779	C-292207	-
4 PLC ± -			CUSTOMER DRAWING			
ANGLES ± -			SCALE	NON	SHEET	2 OF 2
					REV	A1

Mouser Electronics

Authorized Distributor

Click to View Pricing, Inventory, Delivery & Lifecycle Information:

[TE Connectivity:](#)

[2-292207-0](#)