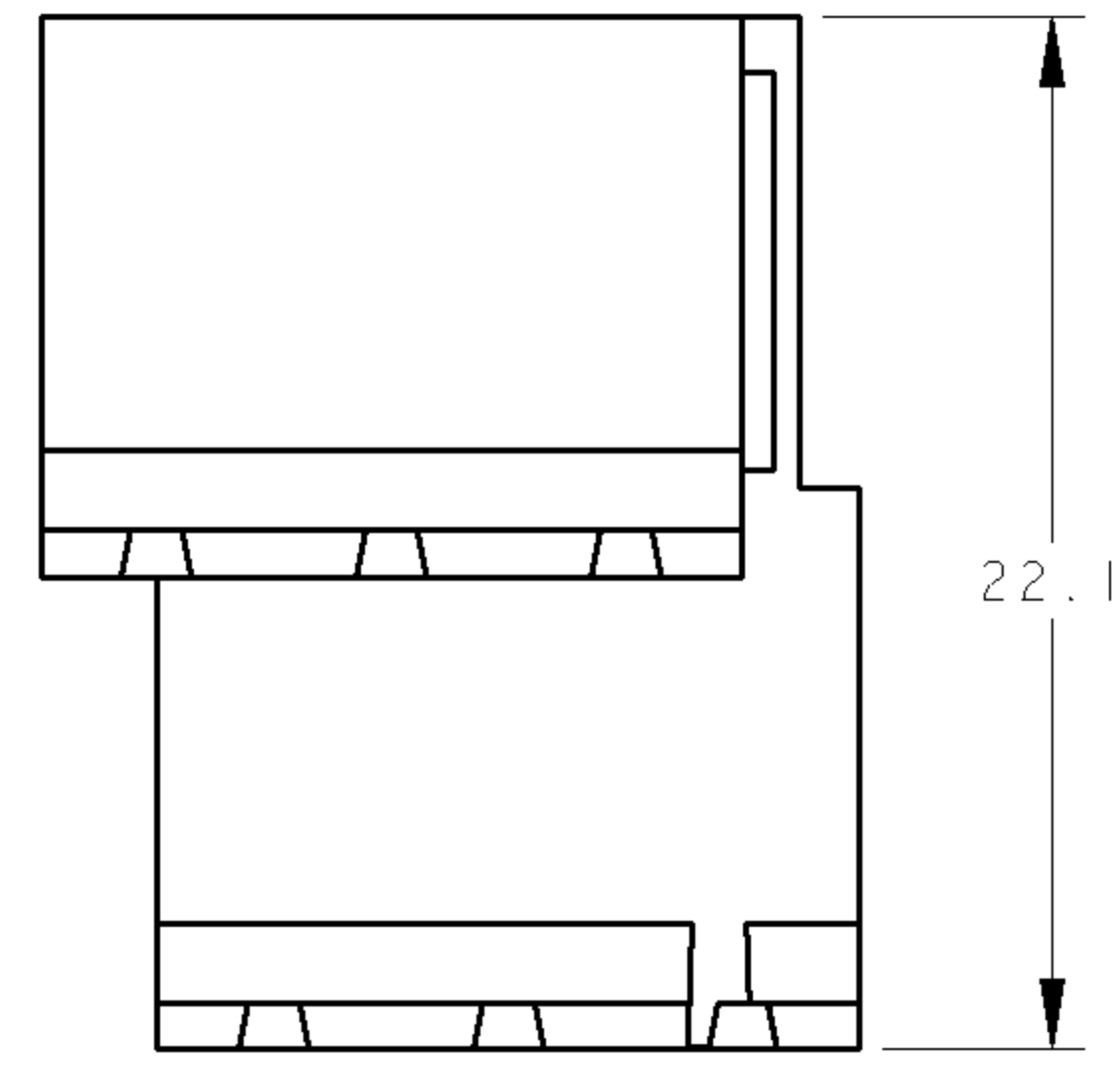
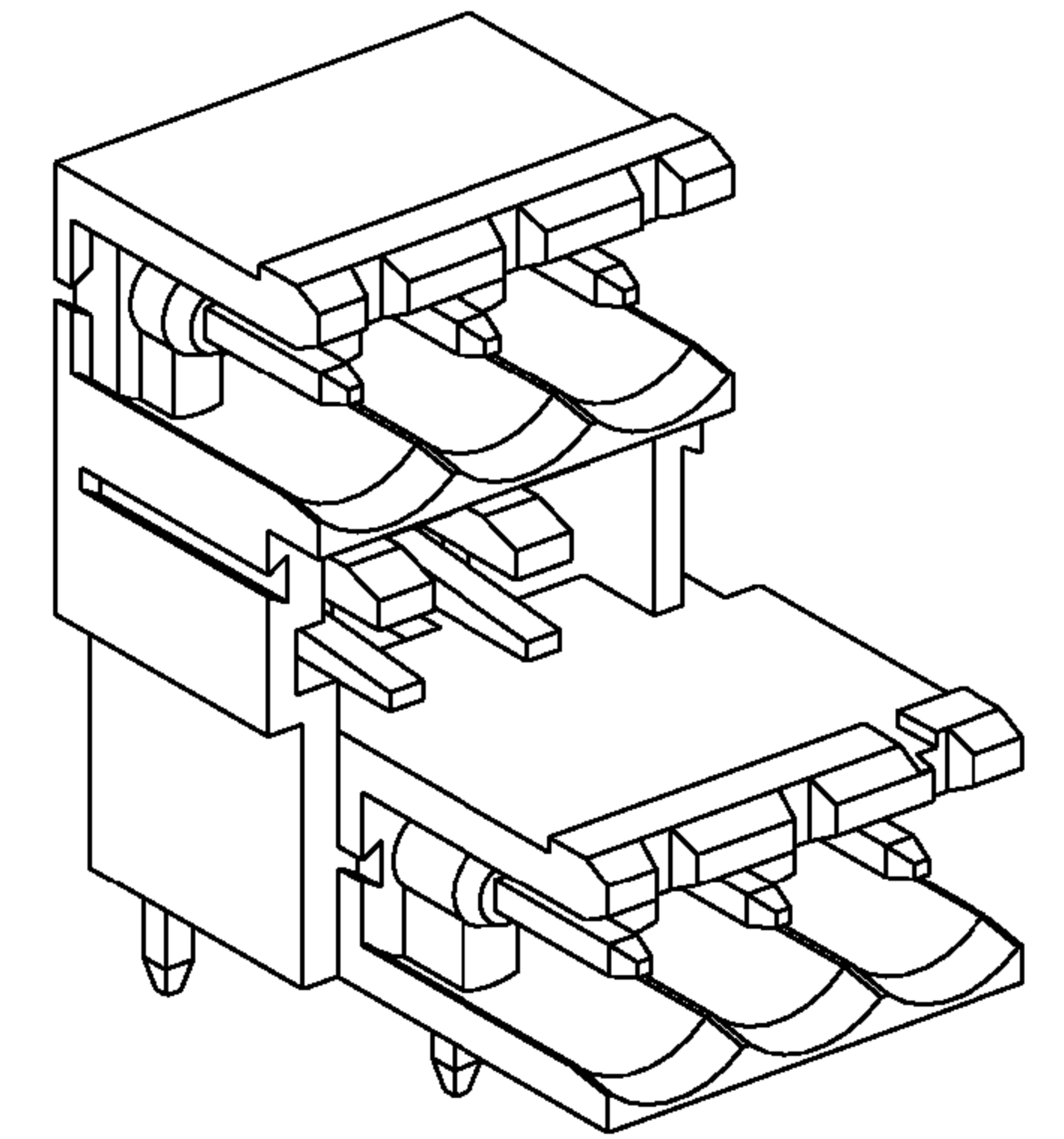


THIS DRAWING IS UNPUBLISHED. RELEASED FOR PUBLICATION 20
 © COPYRIGHT 20 BY TYCO ELECTRONICS CORPORATION. ALL RIGHTS RESERVED.

LOC	DIST	REVISIONS			
P	LTR	DESCRIPTION	DATE	DWN	APVD
		B	REVISED PER 0G3B-0119-01	04JAN2002	EZ DB
		C	OBSOLETE	20MAY2010	A.G. G.T

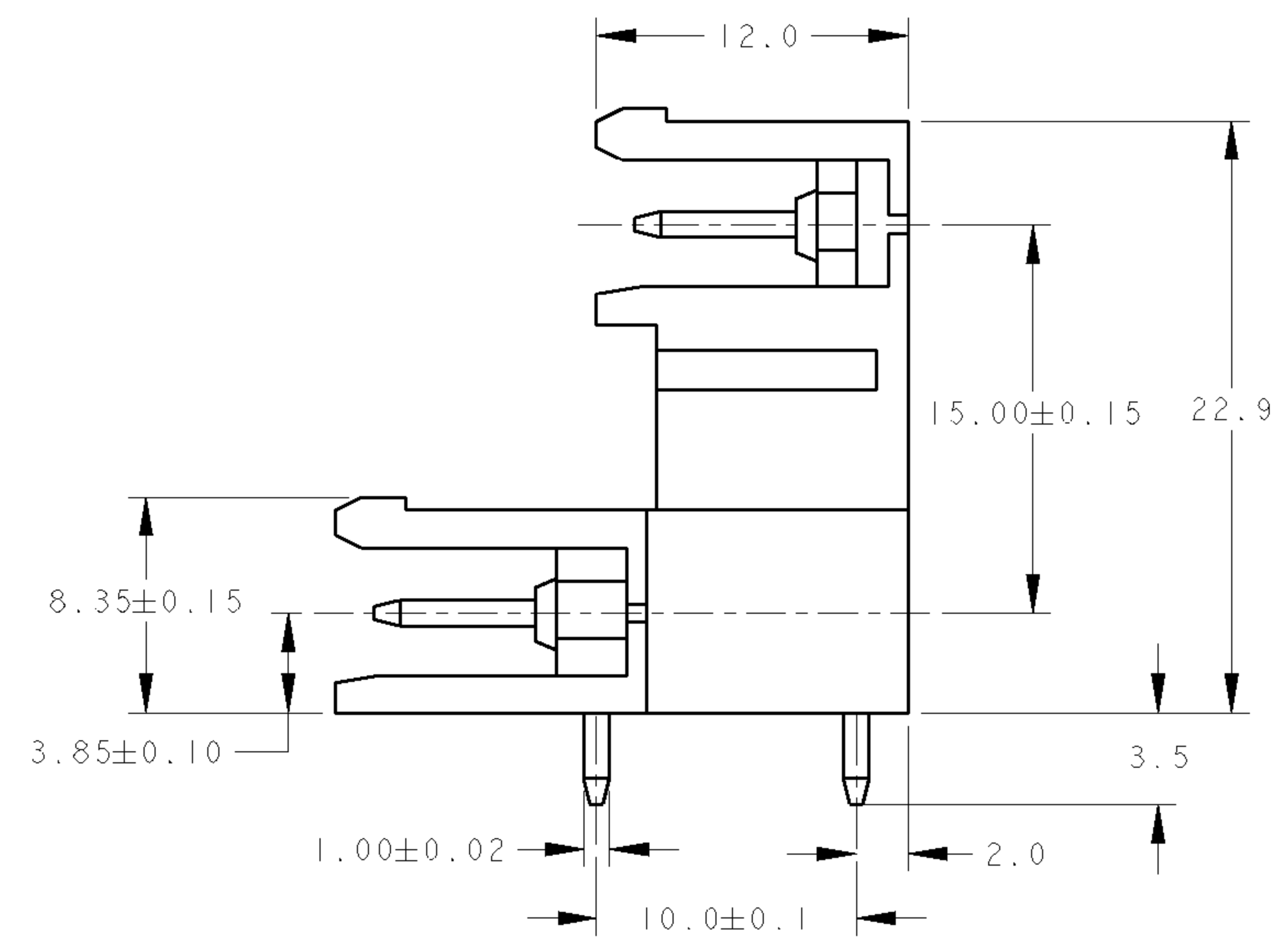
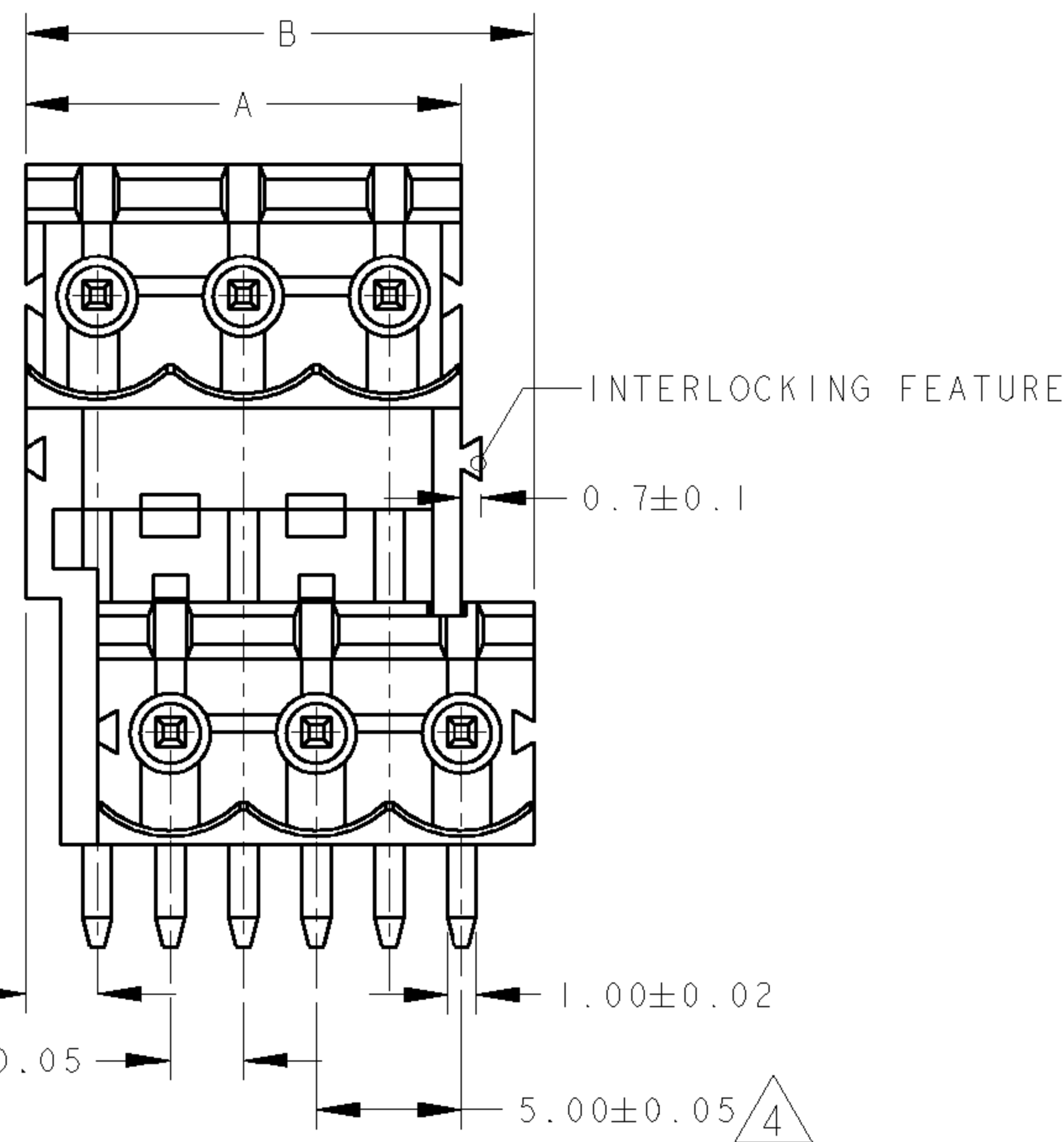


- 1 MATERIALS AND FINISH
 HOUSING: PA 6-6, UL 94-V0, COLOR GREEN.
 TERMINAL: PHOSPHOR BRONZE, TIN PLATED.
- 2 SUITABLE FOR 1,6-2,4mm PC BOARD THICKNESS.
- 3 END-TO-END STACKABLE WITHOUT LOSS OF CENTERLINE SPACING.
- 4 NOT CUMULATIVE TOLERANCE.



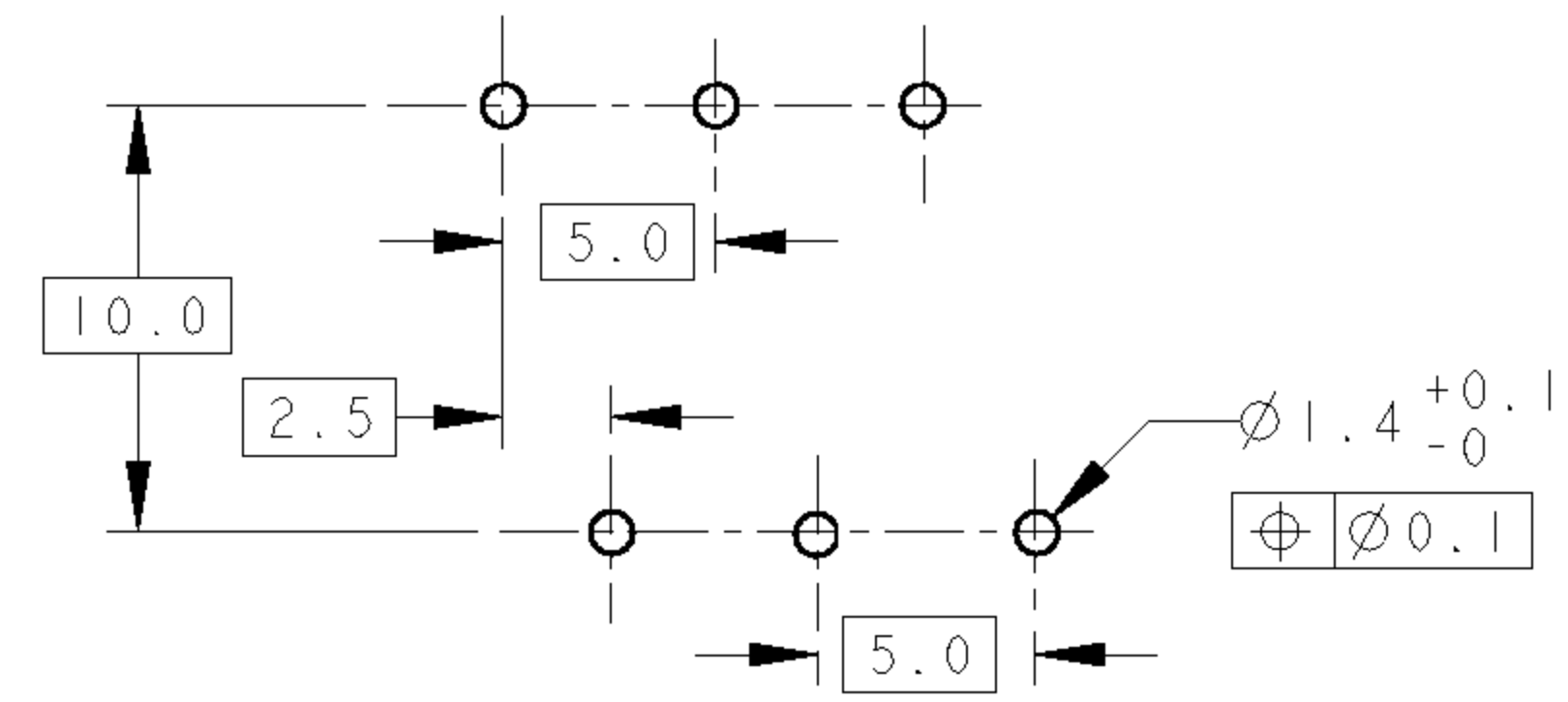
284052-3 AS SHOWN

OBSOLETE



DIM."A"	DIM."B"	N° OF TOTAL POS.	PART NUMBER
15	17,5	3	284052-3
10	12,5	2	284052-2

RECOMMENDED PC BOARD LAYOUT



<small>THIS DRAWING IS A CONTROLLED DOCUMENT FOR TYCO ELECTRONICS CORPORATION IT IS SUBJECT TO CHANGE AND THE CONTROLLING ENGINEERING ORGANIZATION SHOULD BE CONTACTED FOR THE LATEST REVISION.</small>		DWN 04JAN2002 E. ZANOLINI CHK 04JAN2002 E. ZANOLINI APVD 04JAN2002 D. BIEVENOUR PRODUCT SPEC APPLICATION SPEC WEIGHT -		BUCHANAN Tyco Electronics Harrisburg, PA 17105-3608 NAME TERMINAL BLOCK MULTIPLE HEADER ASSEMBLY 90° STACKING W/INTERLOCK 5.0mm PITCH	
DIMENSIONS: mm 	TOLERANCES UNLESS OTHERWISE SPECIFIED: 0 PLC ±. 1 PLC ±.3 2 PLC ±.25 3 PLC ±. 4 PLC ±. ANGLES ±2	SIZE A3 CAGE CODE 00779 DRAWING NO C=284052	RESTRICTED TO -		
MATERIAL	FINISH	CUSTOMER DRAWING		SCALE 3:1	SHEET 1 OF 1 REV C

Mouser Electronics

Authorized Distributor

Click to View Pricing, Inventory, Delivery & Lifecycle Information:

[TE Connectivity:](#)

[284052-2](#)