

DWG NO.

DO NOT SCALE

METRIC

3rd ANGLE PROJECTION

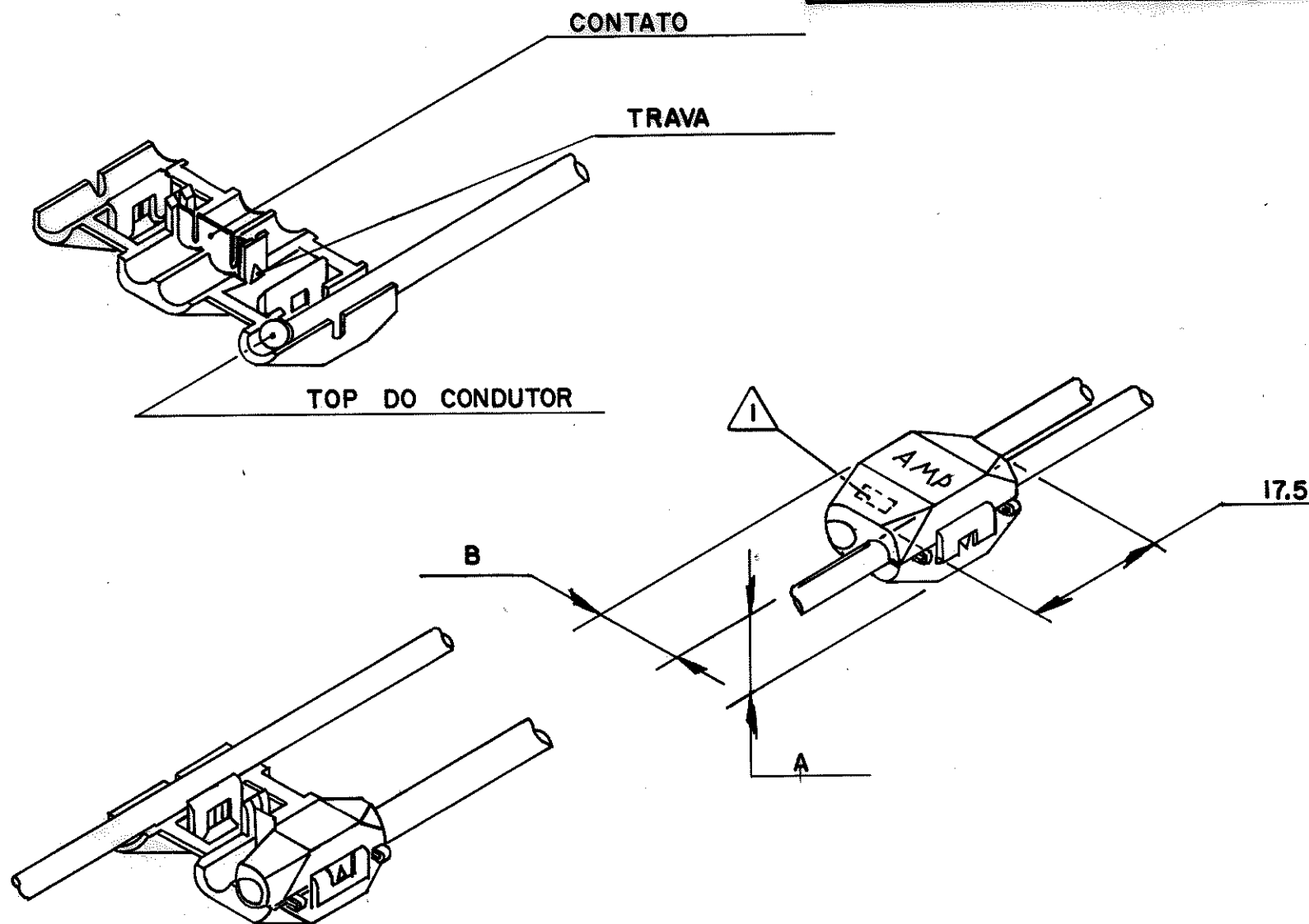
REQ. PER ASSY

ITEM

DESCRIPTION

MATERIAL

FINISH



- ⚠️ 1 GRAVAR BITOLA DE FIOS DE ACORDO COM TABELA ABAIXO.
- ⚠️ 2 ETIQUETA PN 493294-1 APENAS PARA PMSP.
- ⚠️ 1 ENGRAVE WIRE DIMENSION ACC. TO TABLE BELLOW.
- ⚠️ 2 LABEL PN 493294-1 ONLY FOR PMSP.
- ⚠️ 3 OBSOLETE PARTS: OBSOLETE CIS STREAMLINING PER D.RENAUD/D.SINISI

⚠️ 3 OBSOLETE	↑	↑	↑	05 - 0,8	RED	↑	↑	626437-4
	↑	↑	↑	↑	BLACK	NYLON 6/6 UV PROTECTED	↑	626437-3 ⚠️ 2
	12,6	10,0	4	1,0 - 2,5	BLUE	NYLON 6/6	TIN BRASS	626437-2
	B	A	∅ MAX. ISOLATING (mm)	WIRE DIM. mm ² ⚠️ 1	COLOUR	ISOLATOR	CONTACT	PART NUMBER

CUSTOMER DWG
for REFERENCE ONLY

THIS DRAWING IS UNPUBLISHED | RELEASED FOR PUBLICATION
© COPYRIGHT 19 BY AMP DO BRASIL LTDA S.P. ALL INTERNATIONAL RIGHTS RESERVED AMP PRODUCTS MAY BE COVERED BY U.S. AND FOREIGN PATENTS AND/OR PATENTS PENDING.

TOLERANCES UNLESS OTHERWISE STATED
DEC. ± 1.0
ANGLES ± 1°

DR. 04 DEC 97
C.A.FERNANDES

AMP AMP do BRASIL LTDA.
São Paulo, Brasil

E1	REVISED PER ECO-09-026444	KK	AEG	27NOV09	CHK.	15 Jan 98
E	REVISED BY LE.10.0445/04	H.C.		21 JAN 03	J.A.VIEIRA	
D	REVISED BY LE.10.0277/04	H.C.		28.09.04		
C1	REDRAW LBOO 437/97	C.A.F.		4.12.97		
ISS	REVISION	RECORD	ECN	DR	CHK	DATE

DESCRIPTION
ELECTRO-TAP

DWG NO. **A3** C 626437

SHEET 1 OF 1

Mouser Electronics

Authorized Distributor

Click to View Pricing, Inventory, Delivery & Lifecycle Information:

[TE Connectivity:](#)

[626437-1](#)