

**PLEASE CHECK WWW.MOLEX.COM FOR LATEST PART INFORMATION**

**Part Number:** [0460140407](#)  
**Status:** **Active**  
**Overview:** [Mini-Fit Plus Connector System](#)  
**Description:** Mini-Fit Plus Header, 4.20mm Pitch, Single Row, Vertical, 4 Circuits, with Snap-in Plastic Peg PCB Lock, PA Polyamide Nylon 6/6, UL 94V-2, Gold (Au) 0.76µm Over Nickel (Ni) Plating

**Documents:**

[3D Model](#) [Packaging Specification PK-5566-002-000 \(PDF\)](#)  
[Drawing \(PDF\)](#) [RoHS Certificate of Compliance \(PDF\)](#)  
[Product Specification PS-45750-001-001 \(PDF\)](#)

**Agency Certification**

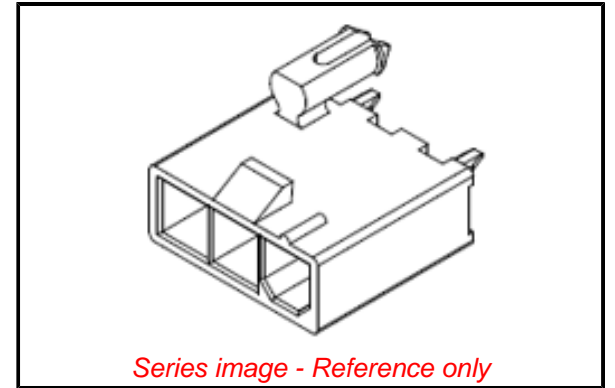
CSA LR19980  
 UL E29179

**General**

Product Family PCB Headers  
 Series [46014](#)  
 3D Viewer Yes  
 Application Board-to-Board, Power, Wire-to-Board  
 CURRENT-MAX-NUMERIC 11.5, 12.0  
 Comments 11.5A When using as Board-to-Board Applications|12A When Using as Wire-to-Board, 11.5A When using as Board-to-Board Applications|12A When Using as Wire-to-Board  
 Overview [Mini-Fit Plus Connector System](#)  
 PITCH-MATING-NUMERIC 4.20  
 Product Name Mini-Fit Plus  
 UPC 884982067776

**Physical**

Breakaway No  
 Circuits (Loaded) 4  
 Circuits (maximum) 4  
 Color - Resin Natural  
 Durability (mating cycles max) 250  
 First Mate / Last Break No  
 Flammability 94V-2  
 Glow-Wire Capable No  
 Guide to Mating Part No  
 Keying to Mating Part None  
 Lock to Mating Part Yes  
 Material - Metal Copper Alloy  
 Material - Plating Mating Gold  
 Material - Plating Termination Nickel  
 Material - Resin Nylon  
 Net Weight 1.095/g  
 Number of Rows 1  
 Orientation Vertical  
 PC Tail Length 1.80mm  
 PCB Locator Yes  
 PCB Retention Yes  
 PCB Thickness - Recommended 1.78mm  
 Packaging Type Tray  
 Pitch - Mating Interface 4.20mm  
 Polarized to Mating Part Yes



**EU ELV**

**Not Relevant**

**EU RoHS**

**Compliant**

**REACH SVHC**

Not Contained Per - ED/71/2019 (16 July 2019)

**Halogen-Free**

**Status**

**Low-Halogen**

For more information, please visit [Contact US](#)

China ROHS

ELV

RoHS Phthalates

**China RoHS**

Green Image

Not Relevant

Not Contained

**Search Parts in this Series**

[46014 Series](#)

**Mates With**

[5557 Mini-Fit Jr. Receptacle Housing](#)

Polarized to PCB	Yes
Shrouded	Fully
Stackable	No
Surface Mount Compatible (SMC)	No
Temperature Range - Operating	-40° to +105°C
Termination Interface: Style	Through Hole

**Electrical**

Current - Maximum per Contact	11.5A, 12.0A
Voltage - Maximum	600V

**Solder Process Data**

Duration at Max. Process Temperature (seconds)	005
Lead-free Process Capability	WAVE
Max. Cycles at Max. Process Temperature	001
Process Temperature max. C	240

**Material Info****Reference - Drawing Numbers**

Packaging Specification	PK-5566-002-000
Product Specification	PS-45750-001-001
Sales Drawing	SD-46014-001-000

This document was generated on 09/25/2019

**PLEASE CHECK [WWW.MOLEX.COM](http://WWW.MOLEX.COM) FOR LATEST PART INFORMATION**

# Mouser Electronics

Authorized Distributor

Click to View Pricing, Inventory, Delivery & Lifecycle Information:

[Molex:](#)

[46014-0407](#)