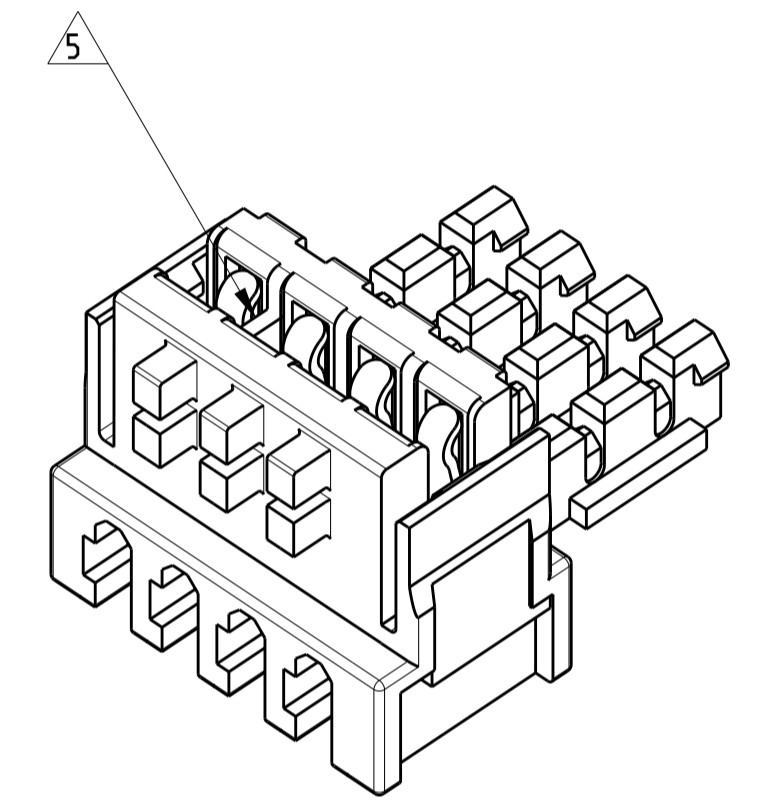
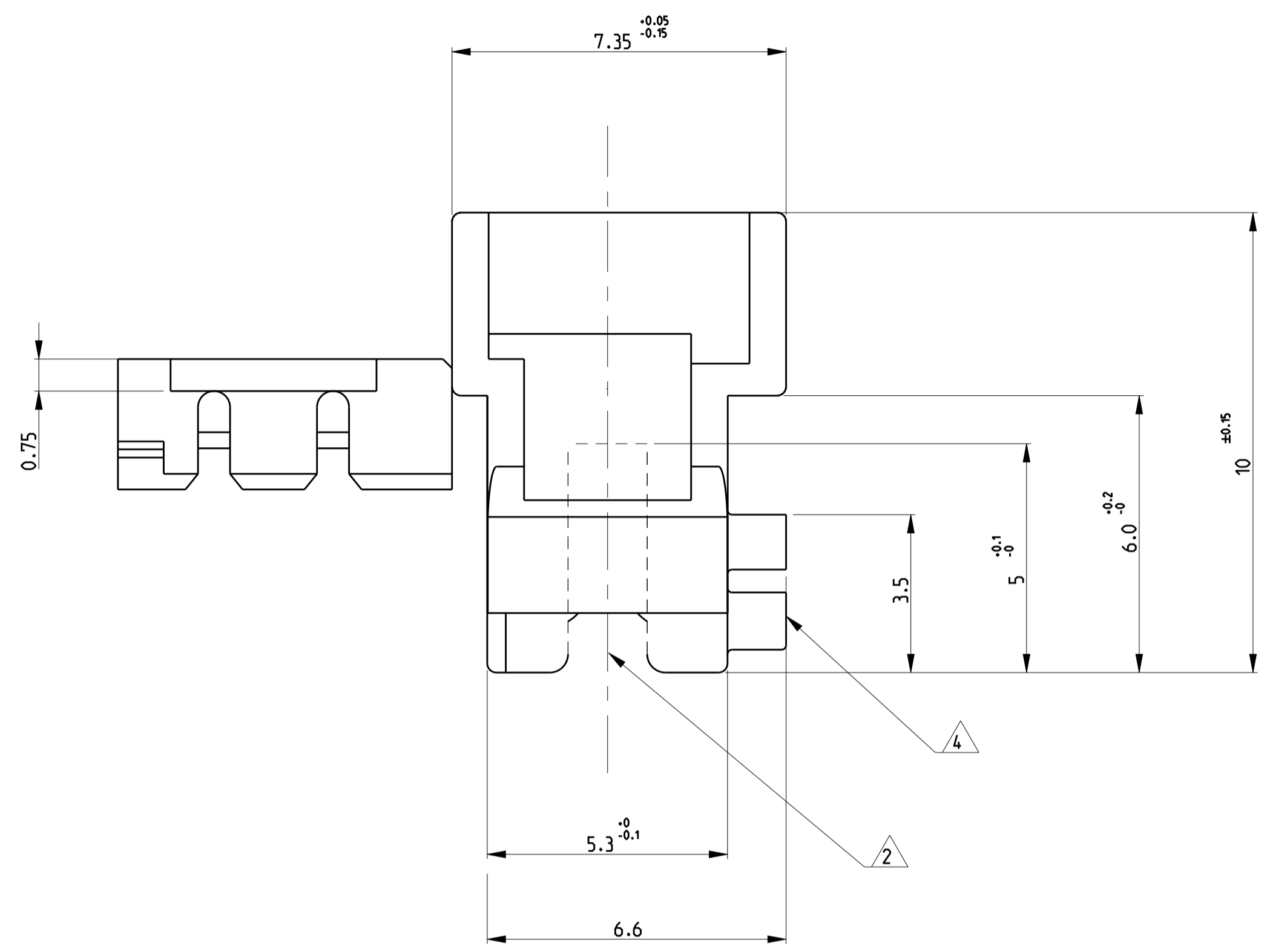
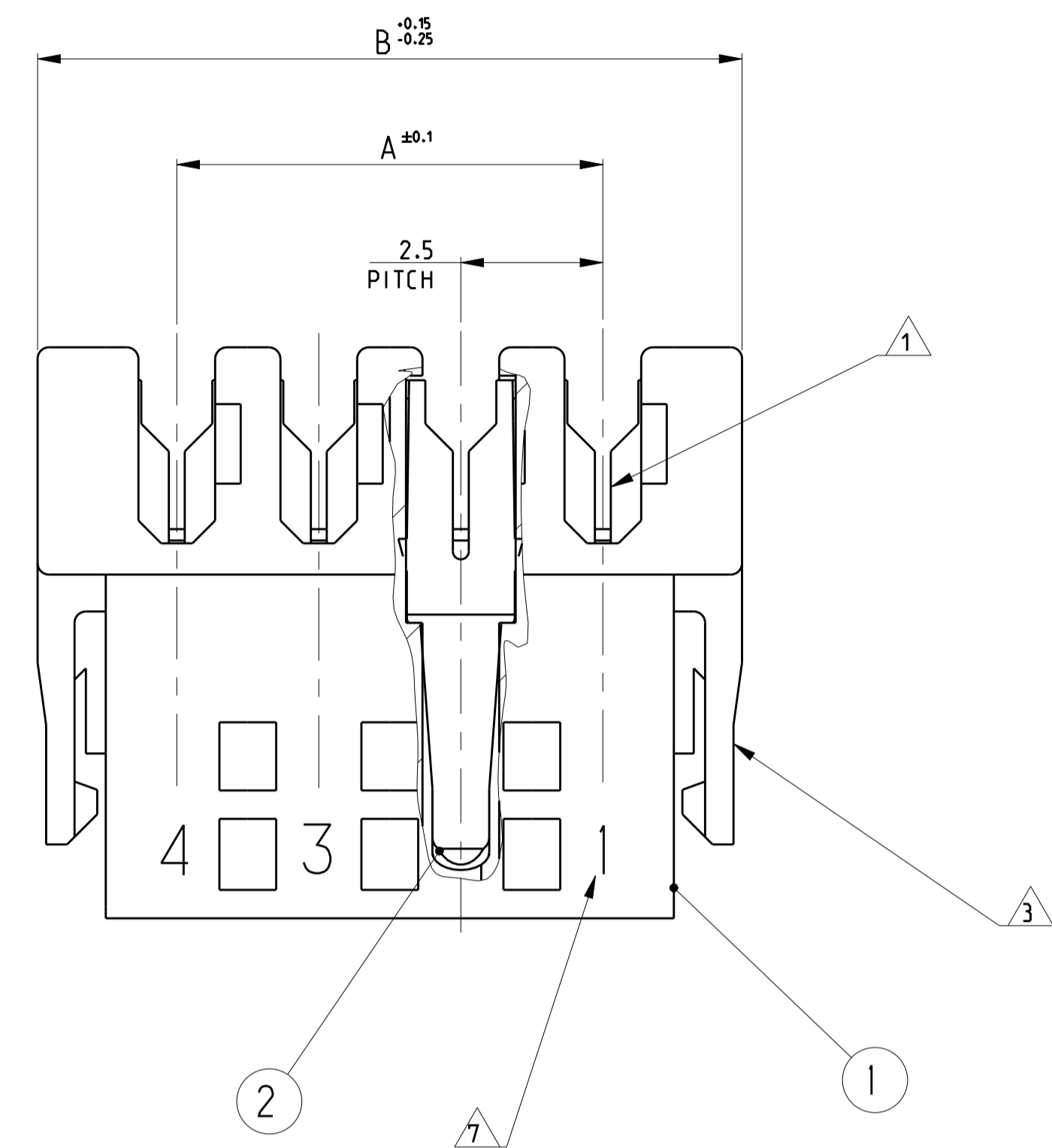
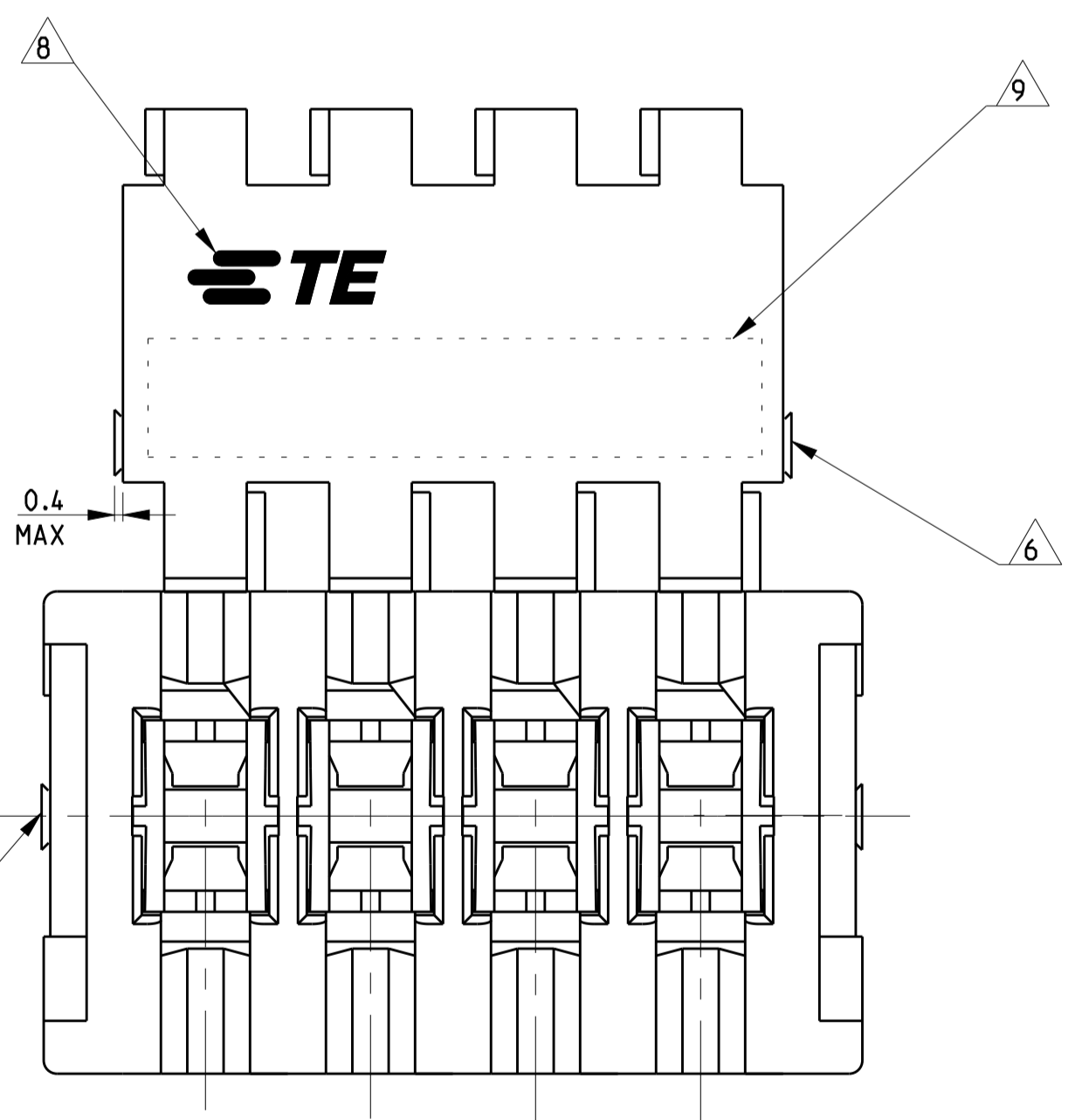


LOC	DIST	REVISIONS			
		P. LTR	DESCRIPTION	DATE	DWN APVD
A22		ECR-19-004458		26MAR2019	LZ FL



SCALE 5:1



- 1 WIRE RANGE : STRANDED 0.22-0.35 mm<sup>2</sup> (INS. DIA. 1.30±0.1)
- 2 MATING PART: P.C.B. EDGE, DOUBLE SIDE, THK 1.5 (COPPER CLADDING INCLUDED)
- 3 SIDE LOCKING DEVICE
- 4 KEYING RIBS TO BE REMOVED BY TERMINATION MACHINE
- 5 POLARIZATION RIBS BETWEEN CAVITIES
- 6 CUT OFF DIMENSION DUE TO PRODUCTION PROCESS
- 7 CIRCUIT No. IDENTIFICATION
- 8 TE TRADEMARK (OPTIONAL POSITION)
- 9 TAMPOGRAPHIC COLOUR CODE AREA (P/Ns IDENTIFICATION BEFORE CRIMPING AREA)
- 10 FOR PCB LAYOUT, SEE PAGES 2-3  
FOR CONNECTION VIEW LAYOUT, SEE PAGE 3
- 11 NOT YET RELEASED FOR PRODUCTION
- 12 NOT DEFINED DURING PRELIMINARY STATUS
- 13 PBT GF
- 14 PBT GF, UL94-V0 & GWPEPT 750 NO-FLAME, NATURAL

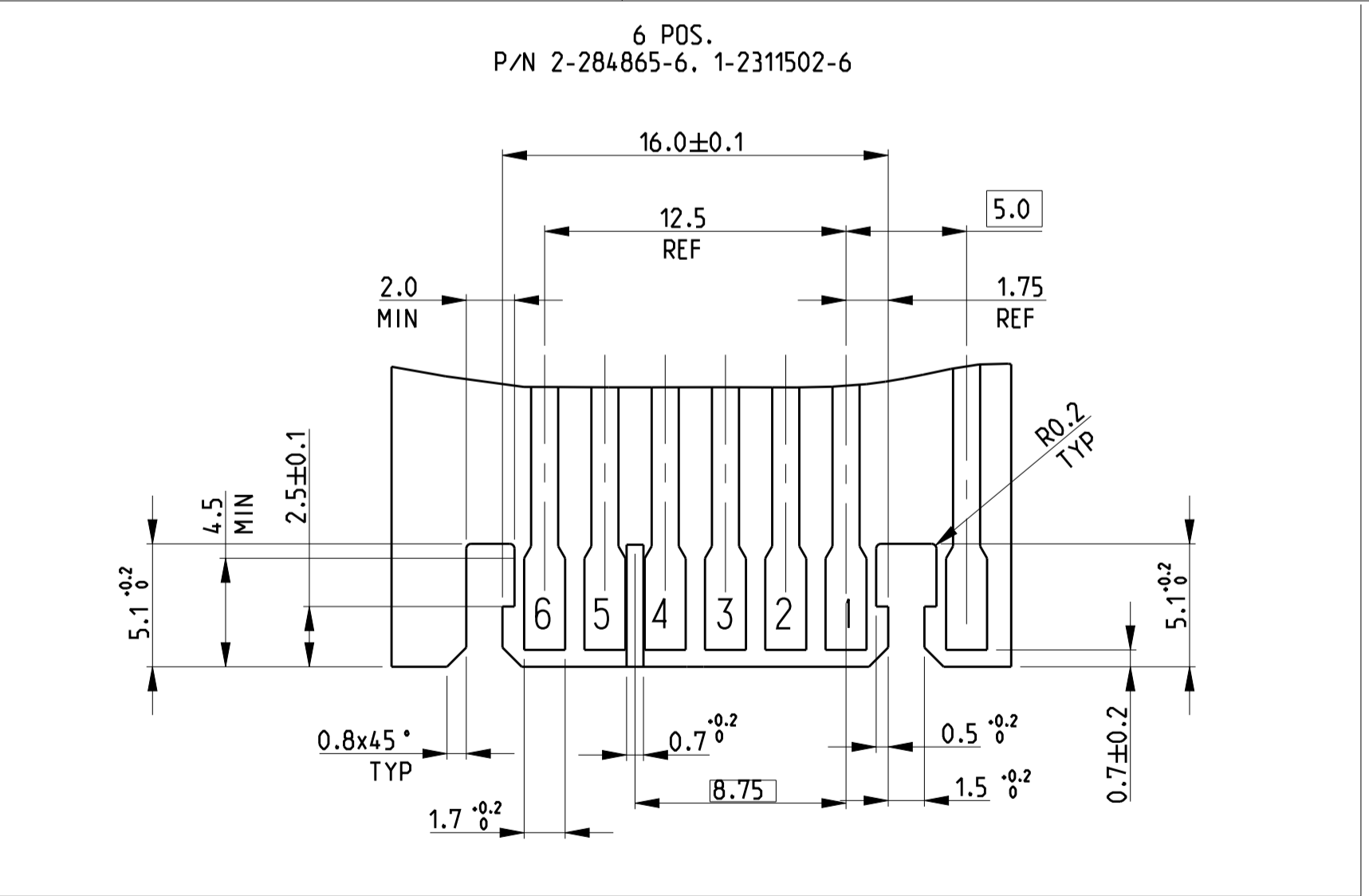
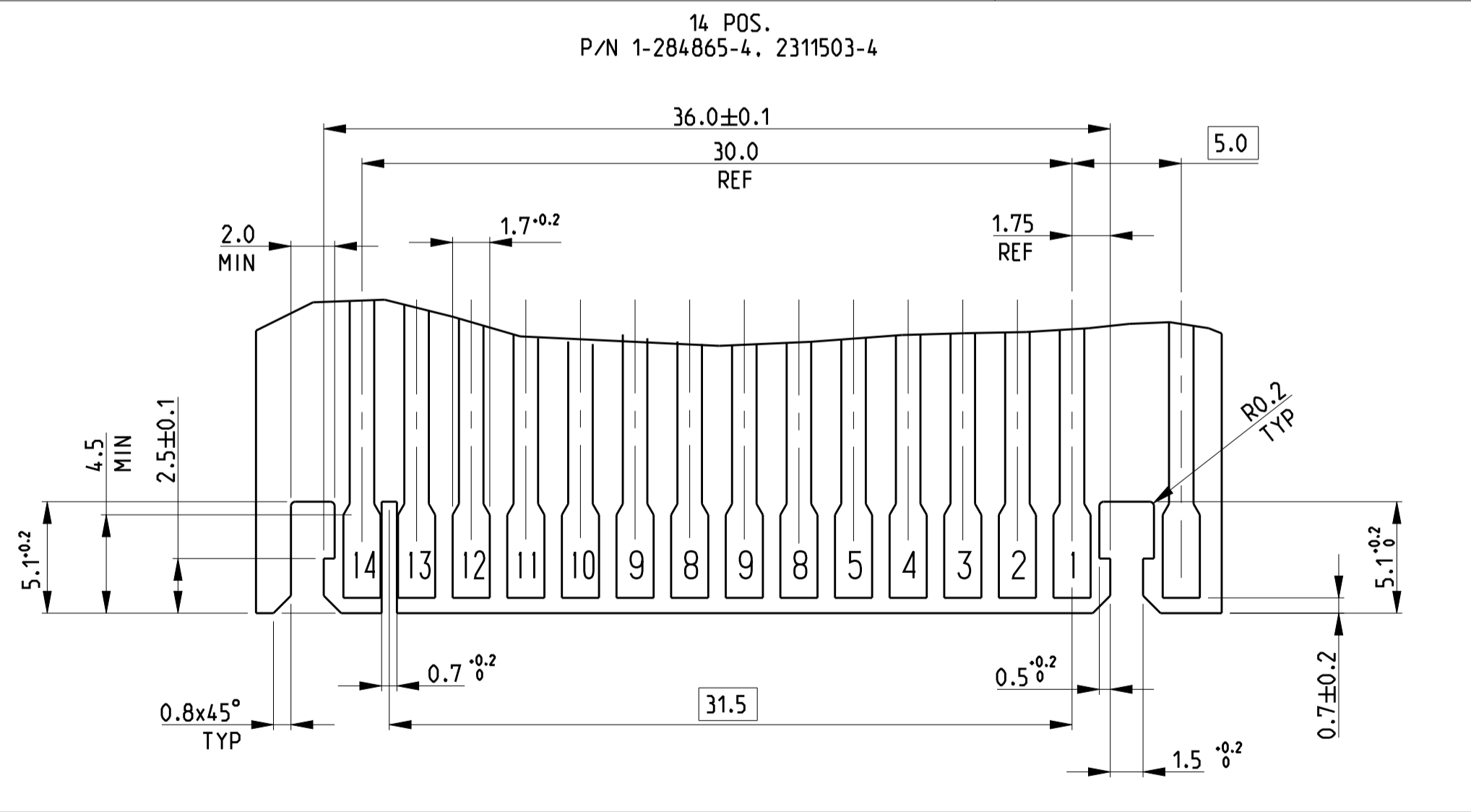
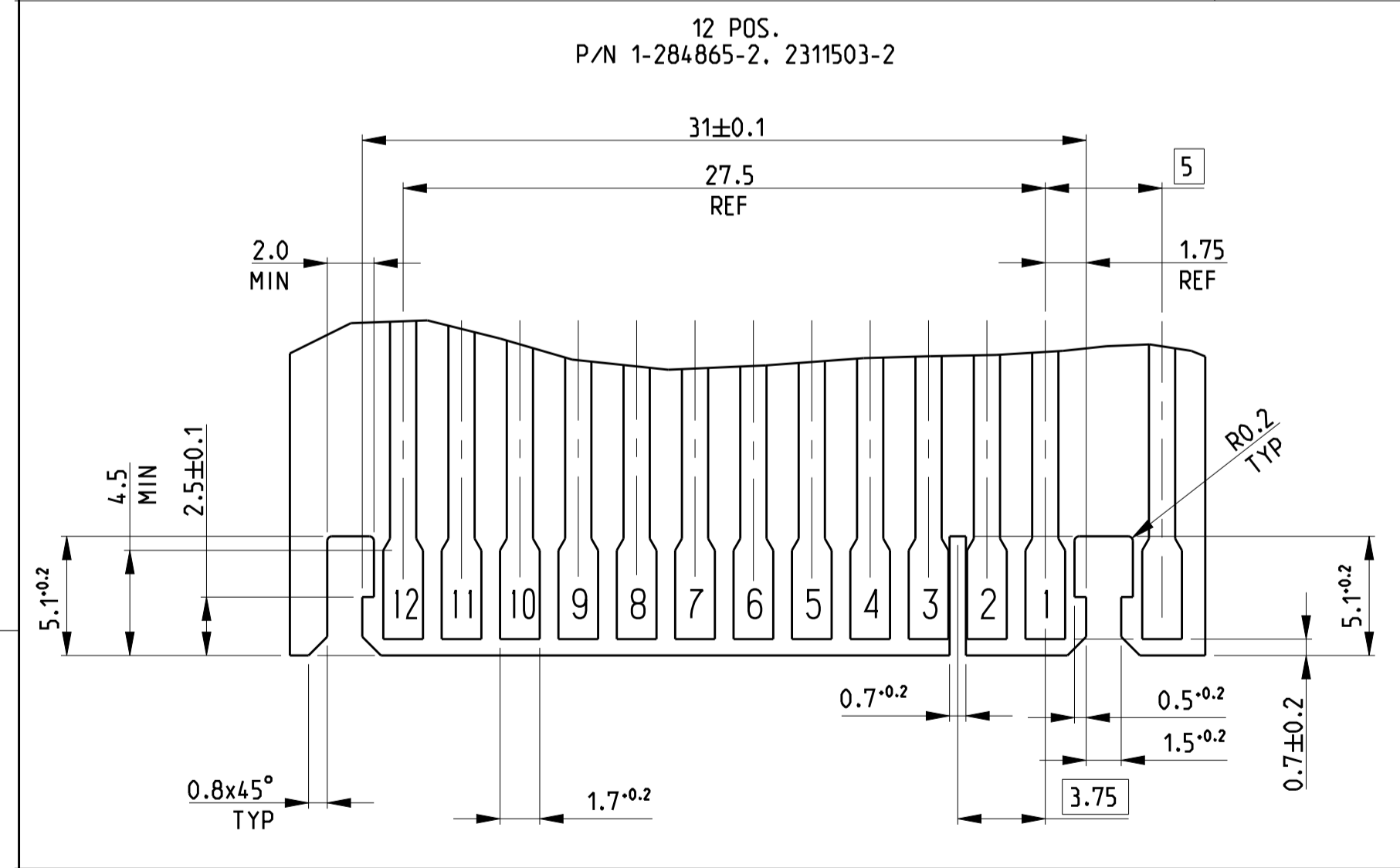
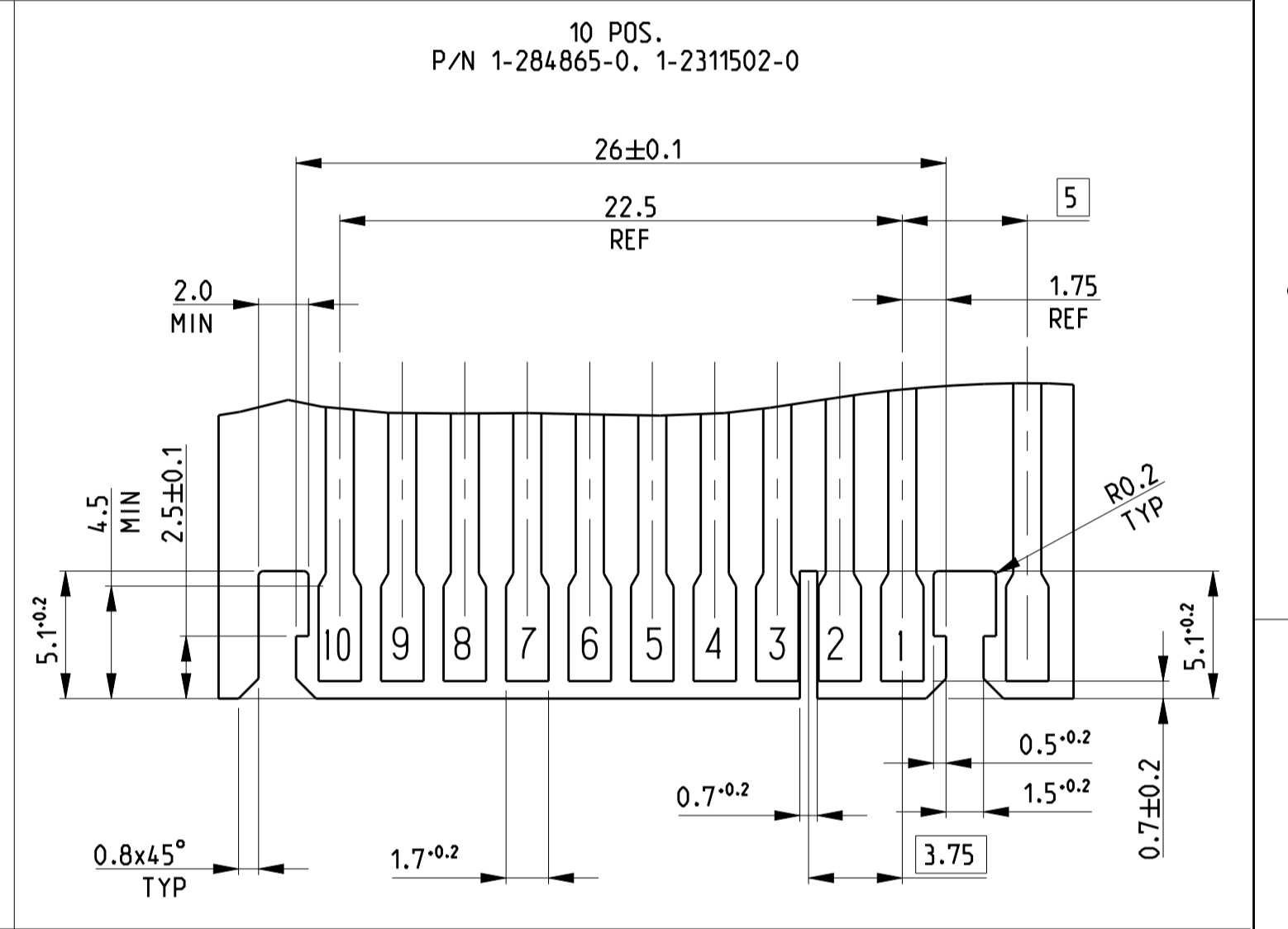
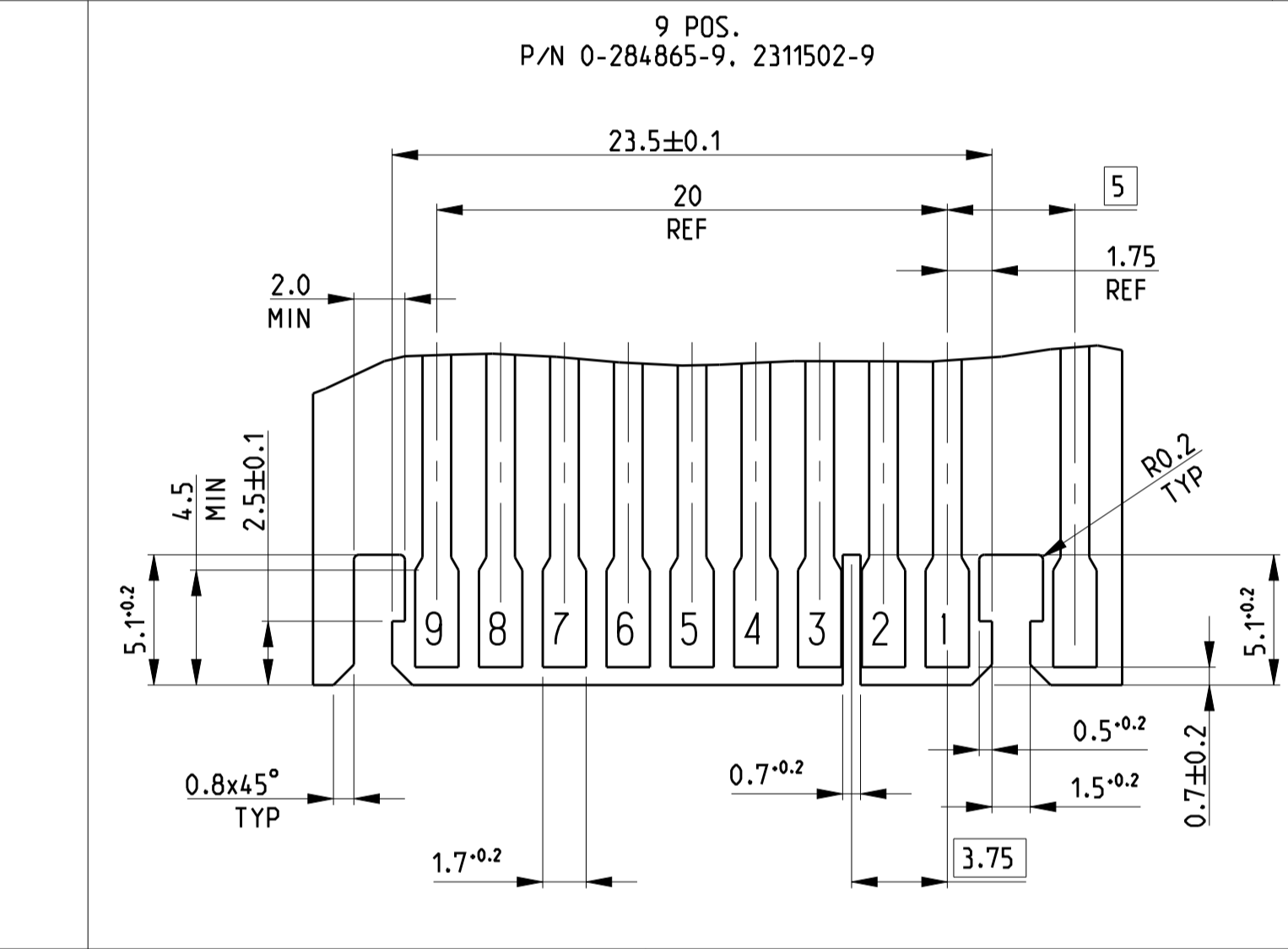
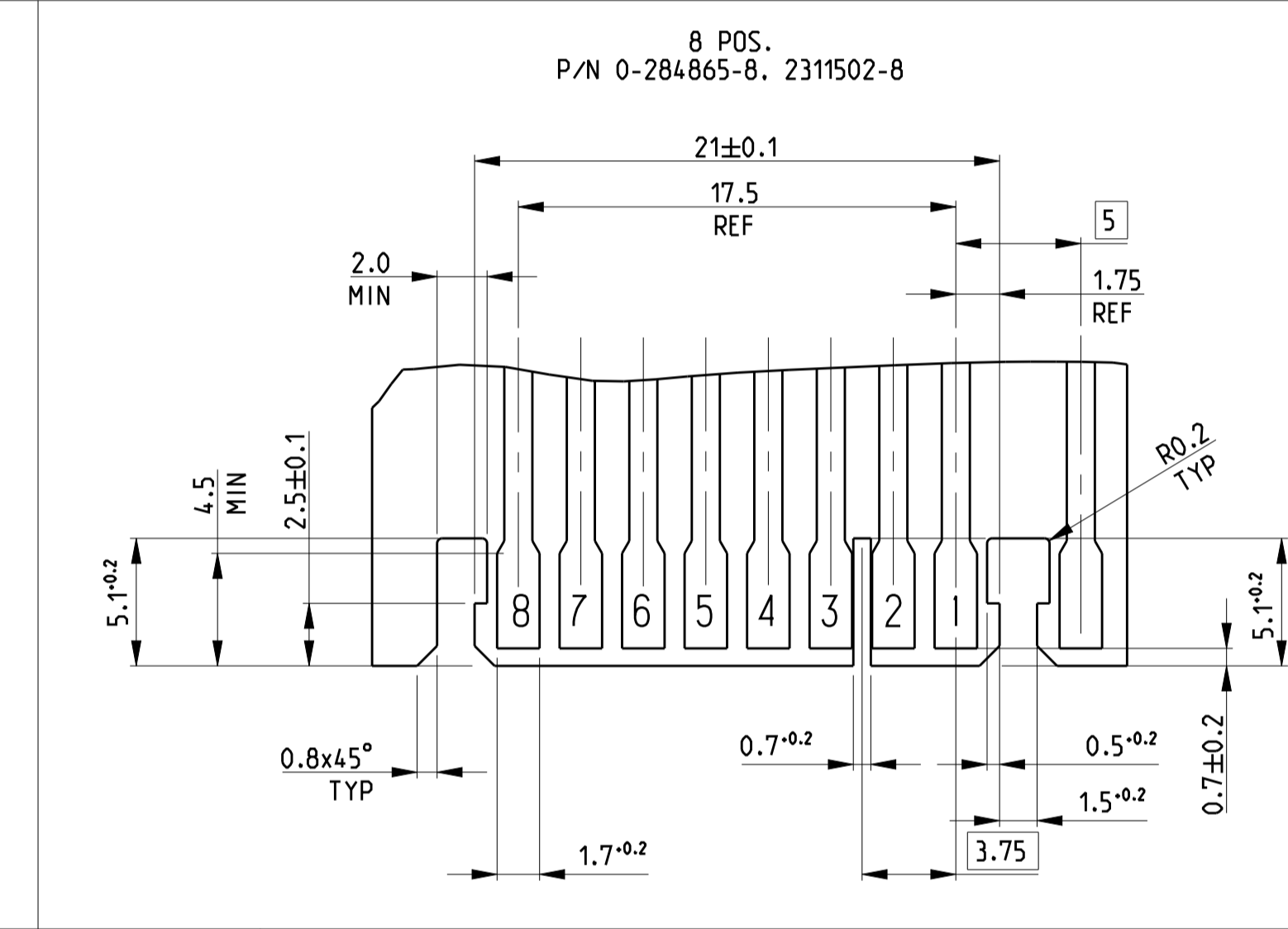
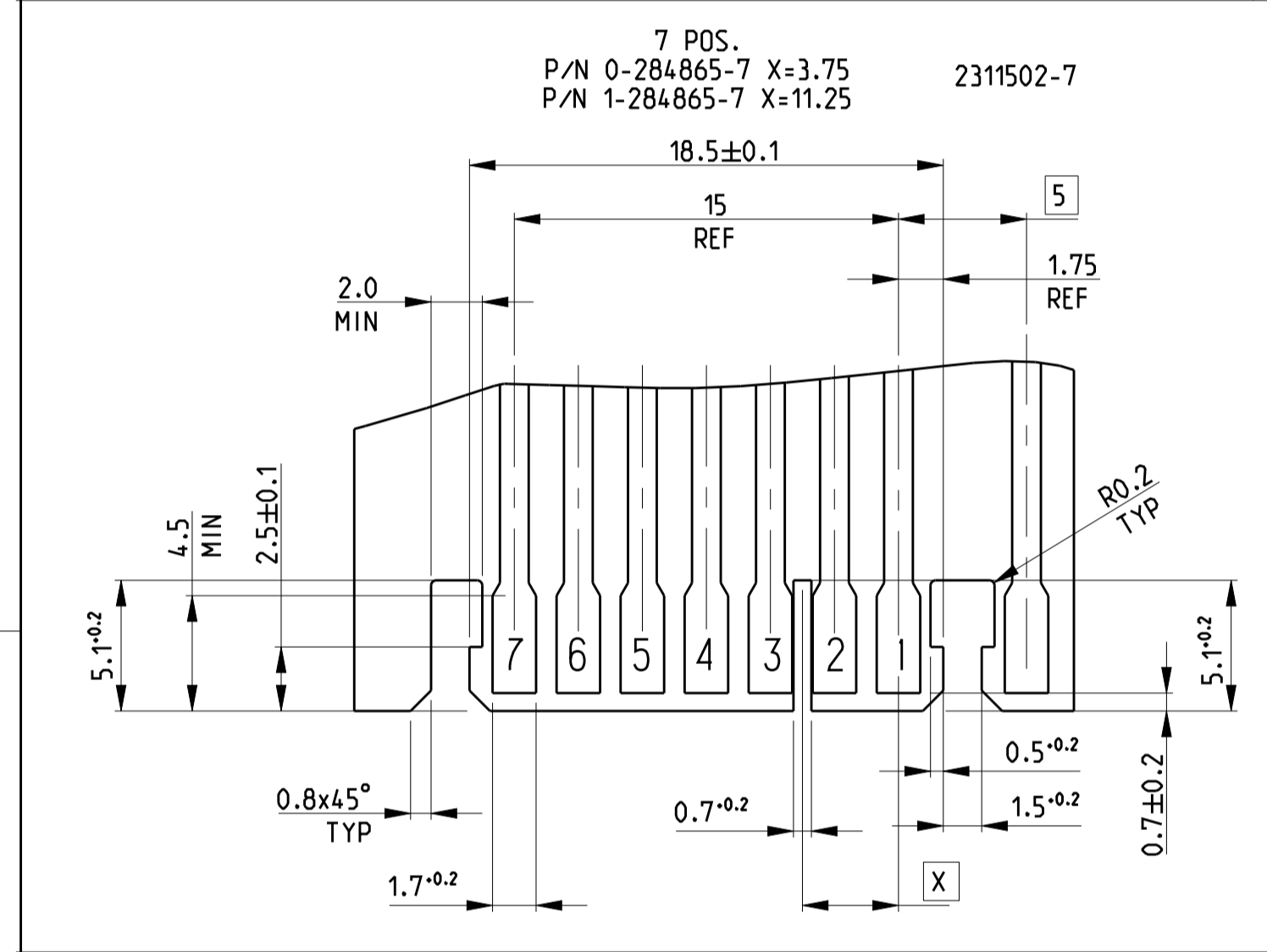
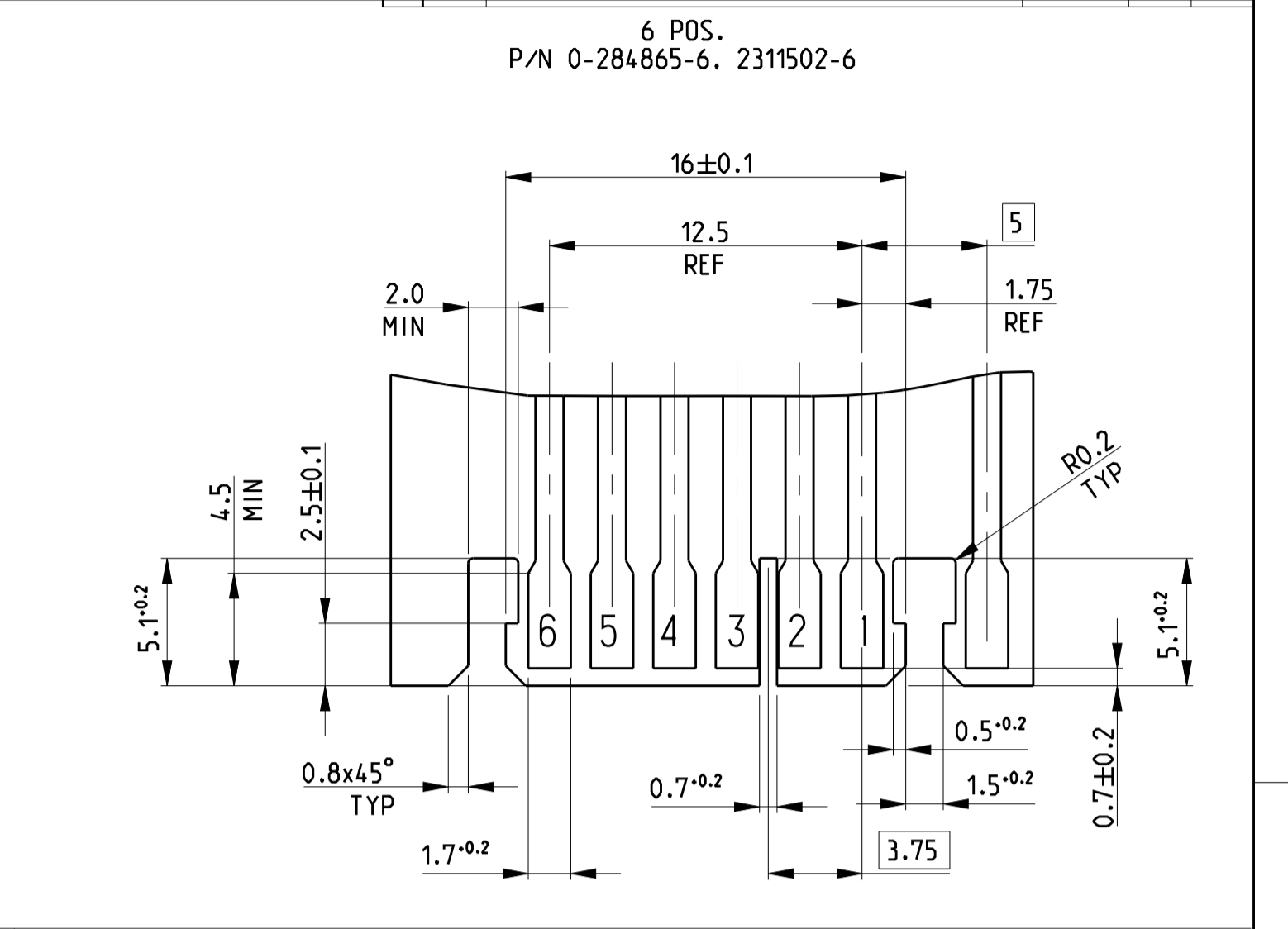
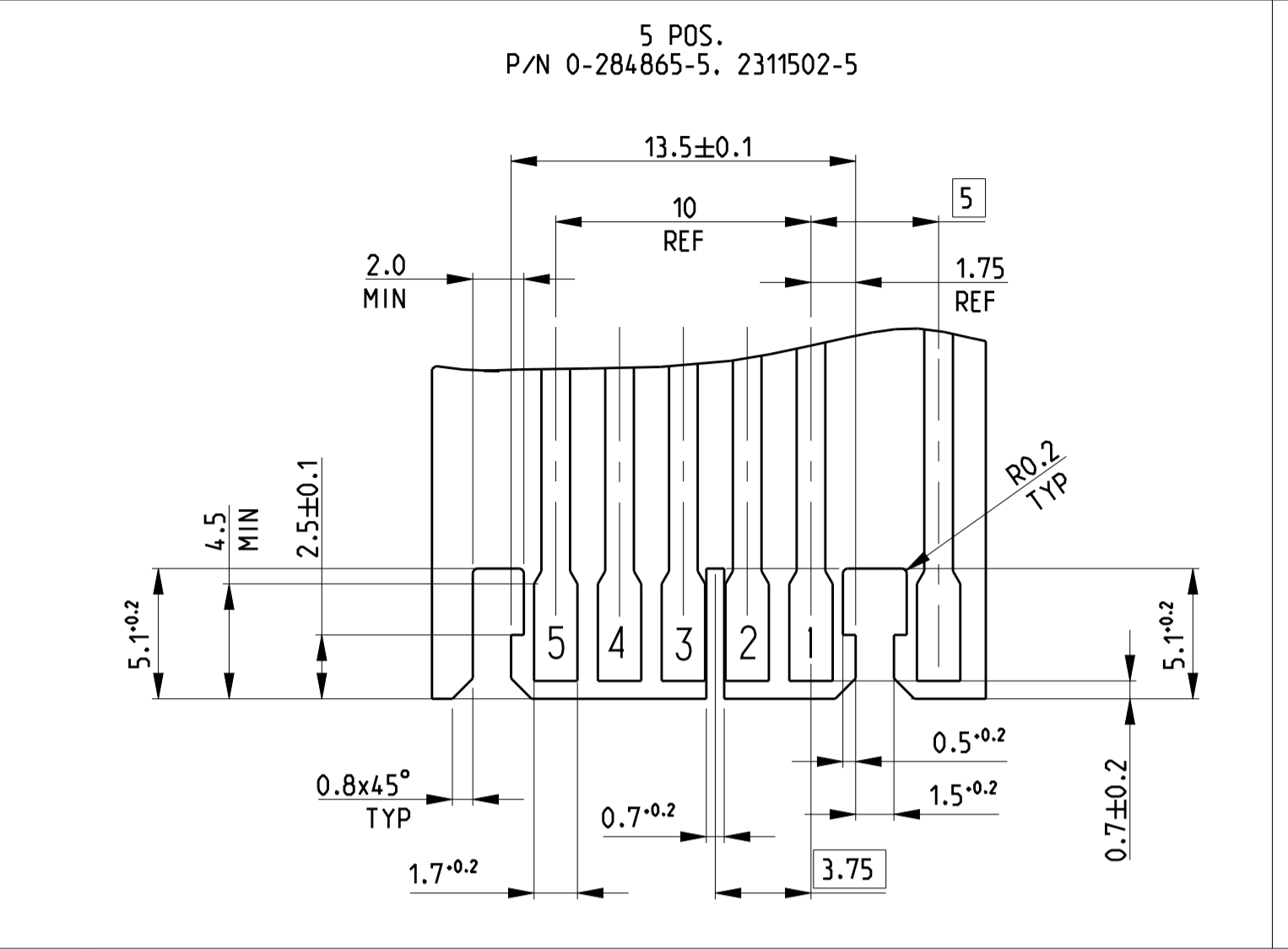
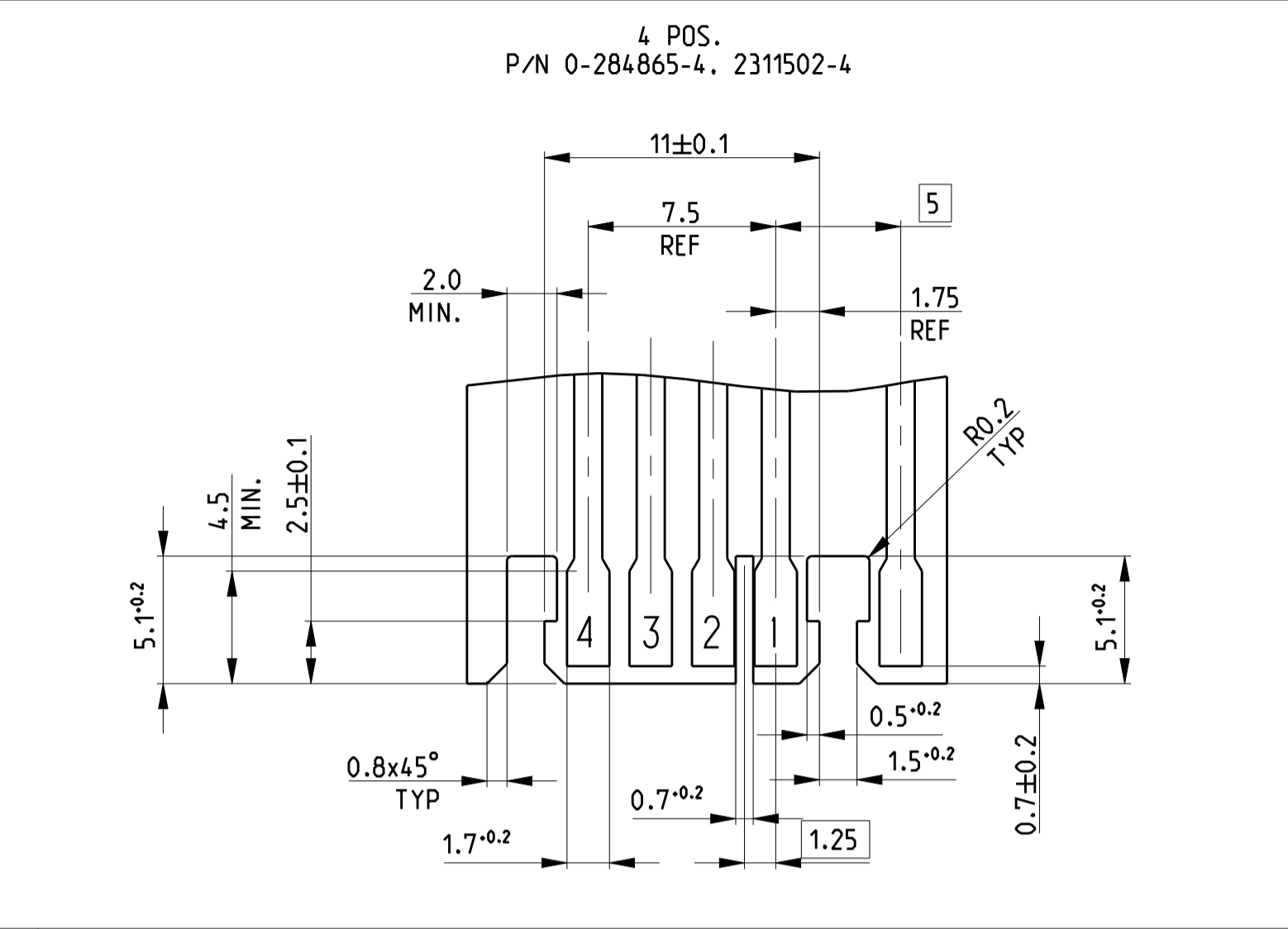
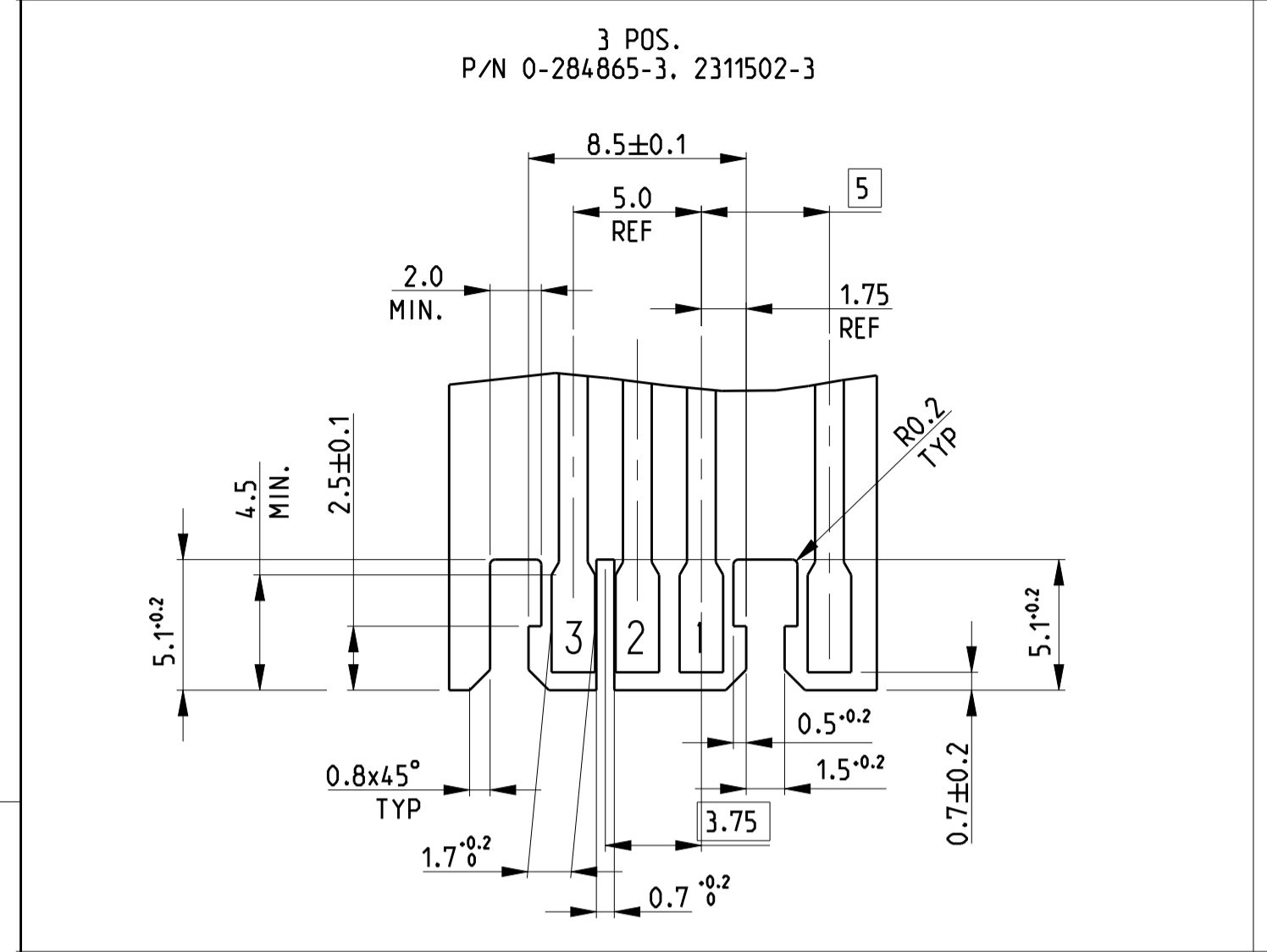
COLOUR CODE	POLARIZ. RIB POS.	HSG POS.	DIM.A	DIM.B	TE P/N	TE P/N
BLACK	13/14	14	32.5	37.4	1-284865-4	2311503-4
RED	11/12	12	27.5	32.4	2-284865-2	1-2311503-2
BLACK	2/3				1-284865-2	2311503-2
RED	9/10	10	22.5	27.4	2-284865-0	2-2311502-0
BLACK	2/3	9	20.0	24.9	0-284865-9	2311502-9
RED	3/4	8	17.5	22.4	2-284865-8	1-2311502-8
BLACK	2/3				0-284865-8	2311502-8
-	5/6	7	15.0	19.9	1-284865-7	
BLACK	2/3				0-284865-7	2311502-7
-	3/4				5-284865-6	4-2311502-6
ORANGE	5/6				4-284865-6	3-2311502-6
<del>OBSELETE</del> BLUE	<del>1/2</del>	<del>6</del>	<del>12.5</del>	<del>17.4</del>	<del>3-284865-6</del>	-
RED	4/5				2-284865-6	1-2311502-6
BLACK	2/3				0-284865-6	2311502-6
GREY	1/2				3-284865-5	2-2311502-5
RED	3/4	5	10.0	14.9	2-284865-5	1-2311502-5
BLACK	2/3				0-284865-5	2311502-5
RED	3/4				3-284865-4	1-2311502-4
<del>OBSELETE</del> RED	<del>N/A</del>				<del>2-284865-4</del>	-
BLACK	1/2	4	7.5	12.4	0-284865-4	2311502-4
RED	1/2	3	5.0	9.9	2-284865-3	1-2311502-3
BLACK	2/3				0-284865-3	2311502-3

P/N 0-284865-4 AS SHOWN

THIS DRAWING IS A CONTROLLED DOCUMENT.				DWN R. FABRIS 03JUL2002		TE Connectivity	
SEE TABLE	PH. BRONZE, TIN PLATED	IDC RECEPTACLE CONTACT	2	DIMENSIONS: mm		NAME DUOPLUG 2.5 FEMALE CONN., SIDE LOCKING KEYED (FULLY LOADED)	
Q.TY	MATERIAL	DESCRIPTION	ITEM	TOLERANCES UNLESS OTHERWISE SPECIFIED:		SIZE CAGE CODE DRAWING NO RESTRICTED TO	
1				0 PLC ±0.2	1 PLC ±0.1	2 PLC ±0.1	A1 00779 C=284865
REVISIONE DELL'ASSEMBLATO (REVISION OF EACH ASSY NO)				MATERIAL SEE TABLE		WEIGHT	
ELENCO DEI COMPONENTI (PARTS LIST)				SEE TABLE		Customer Drawing SCALE 10:1 SHEET 1 OF 4	

PCB LAYOUT -Soldering side-  
 (SCALE 4:1)

LOC		DIST		REVISIONS			
				DESCRIPTION	DATE	OWN	APVD
				SEE SHEET 1			



THIS DRAWING IS A CONTROLLED DOCUMENT. OWN R. FABRIS 03JUL2002  
 CHE -  
 DIMENSIONS: mm  
 TOLERANCES UNLESS OTHERWISE SPECIFIED:  
 0 PLC # # #  
 1 PLC # # #  
 2 PLC # # #  
 3 PLC # # #  
 4 PLC # # #  
 5 PLC # # #  
 ANGLES # # #  
 MATERIAL SEE TABLE  
 FINISH SEE TABLE

APVD E. TURCO  
 PRODUCT SPEC  
 108-20238  
 APPLICATION SPEC  
 116-18049-1  
 WEIGHT -  
 Customer Drawing

NAME  
 DUOPLUG 2.5 FEMALE CONN.,  
 SIDE LOCKING  
 KEYED (FULLY LOADED)

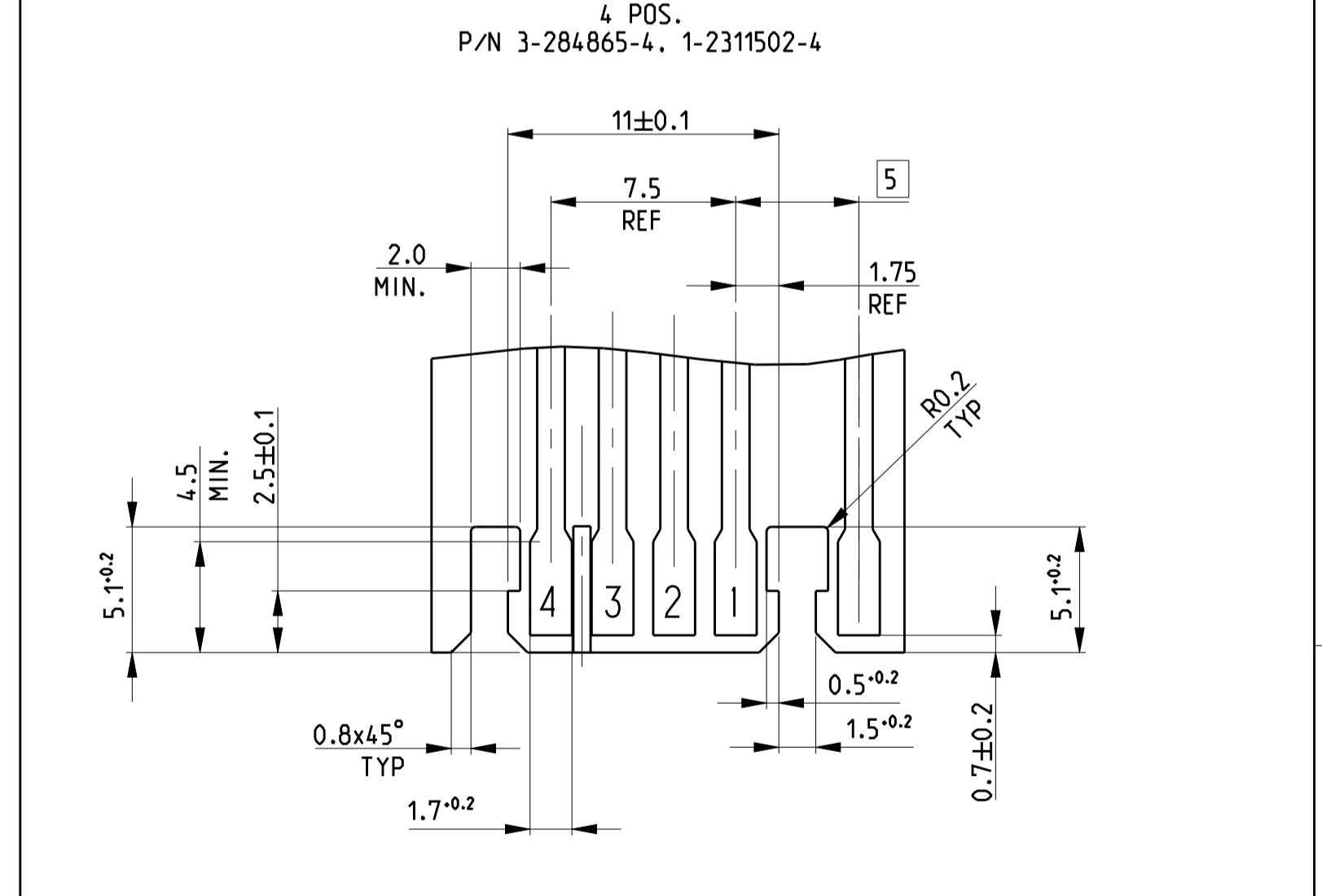
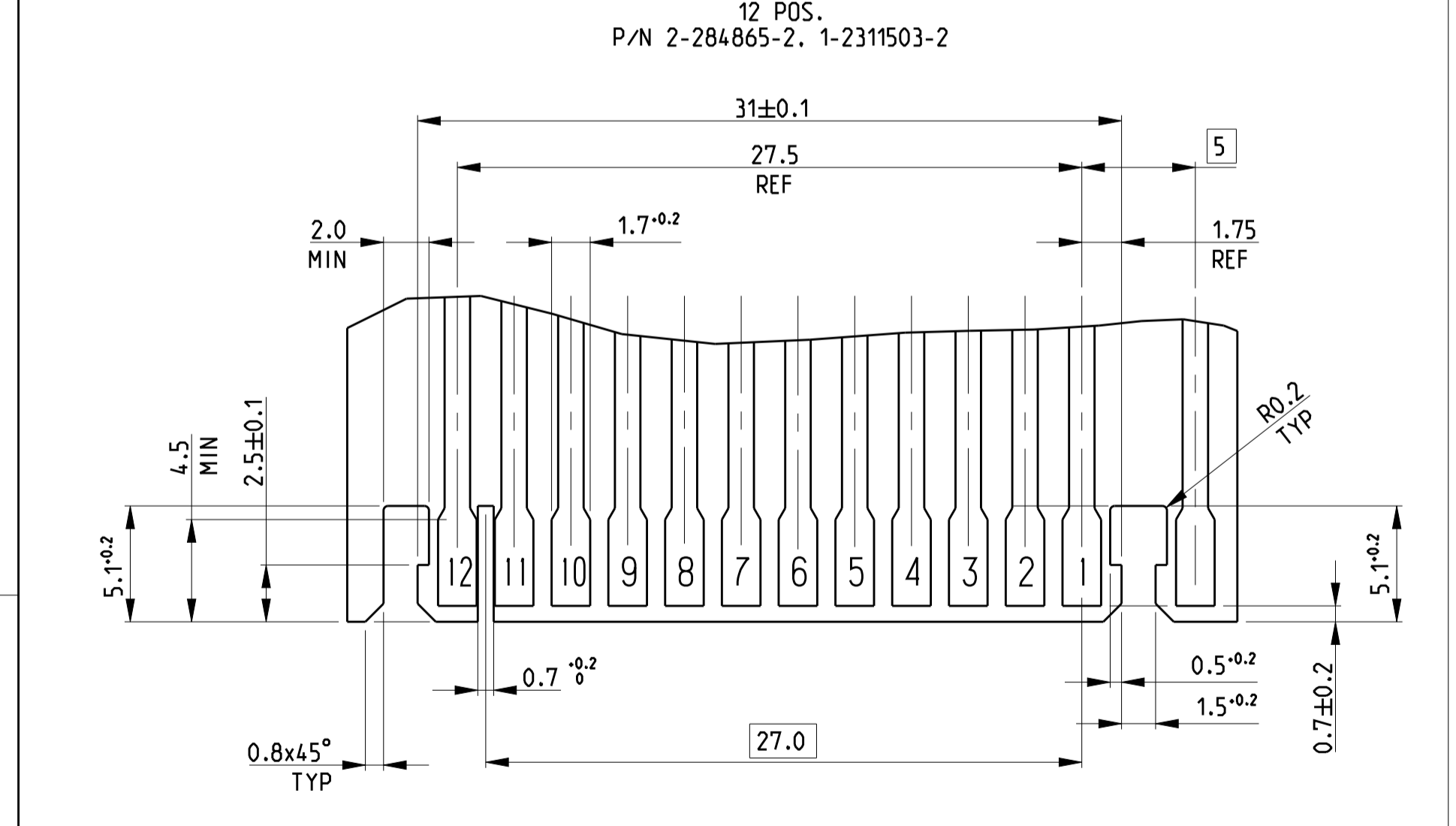
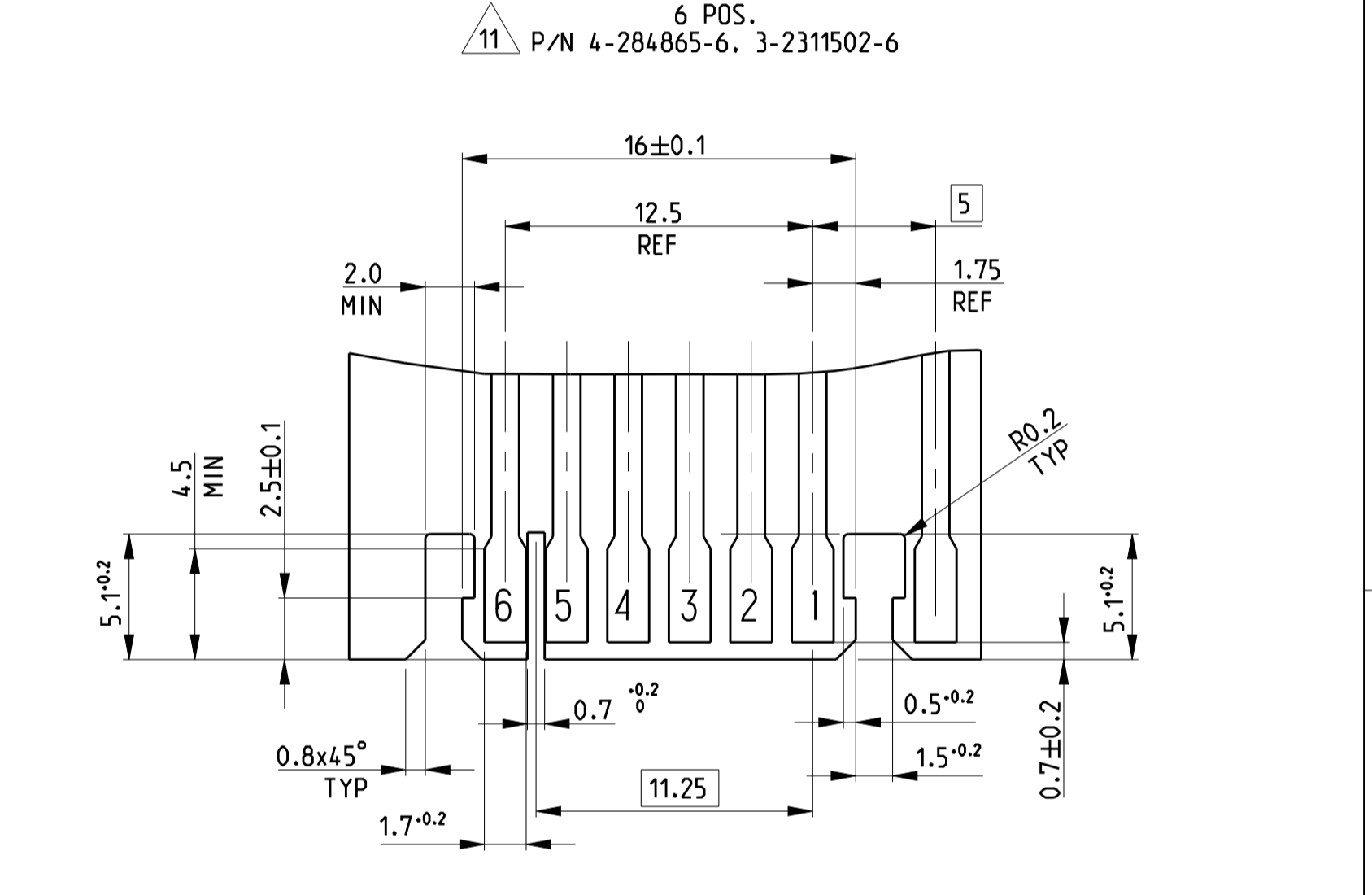
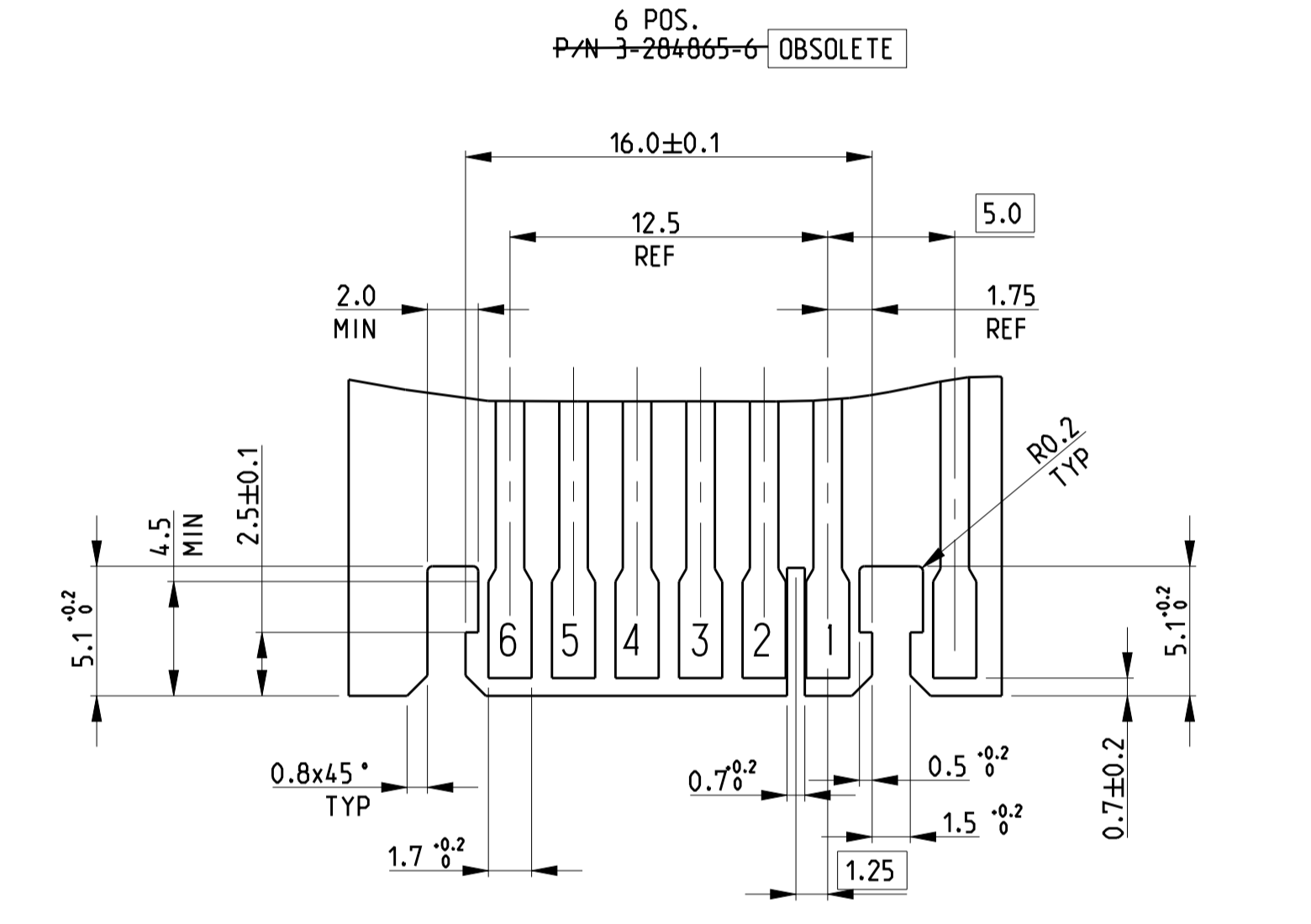
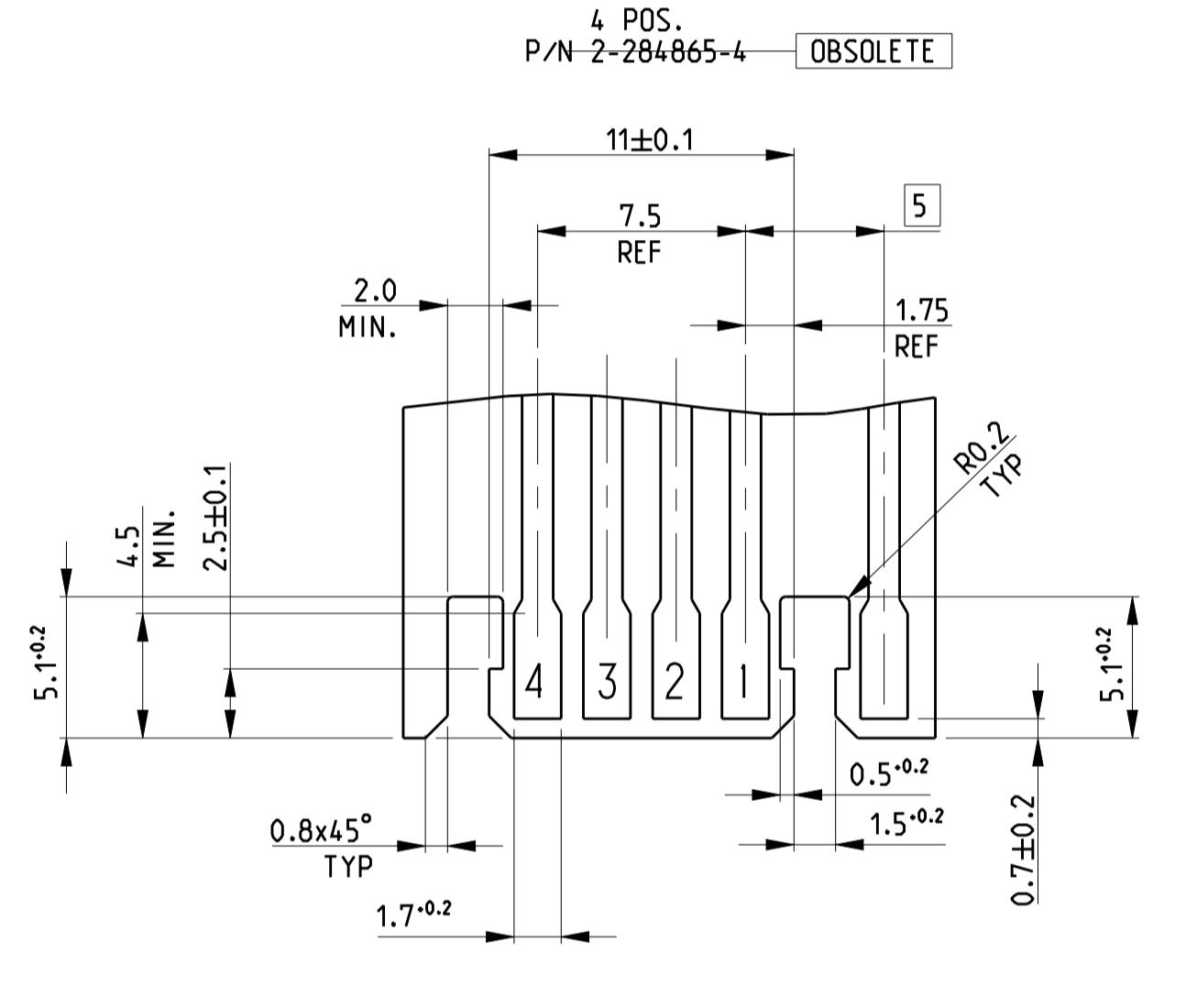
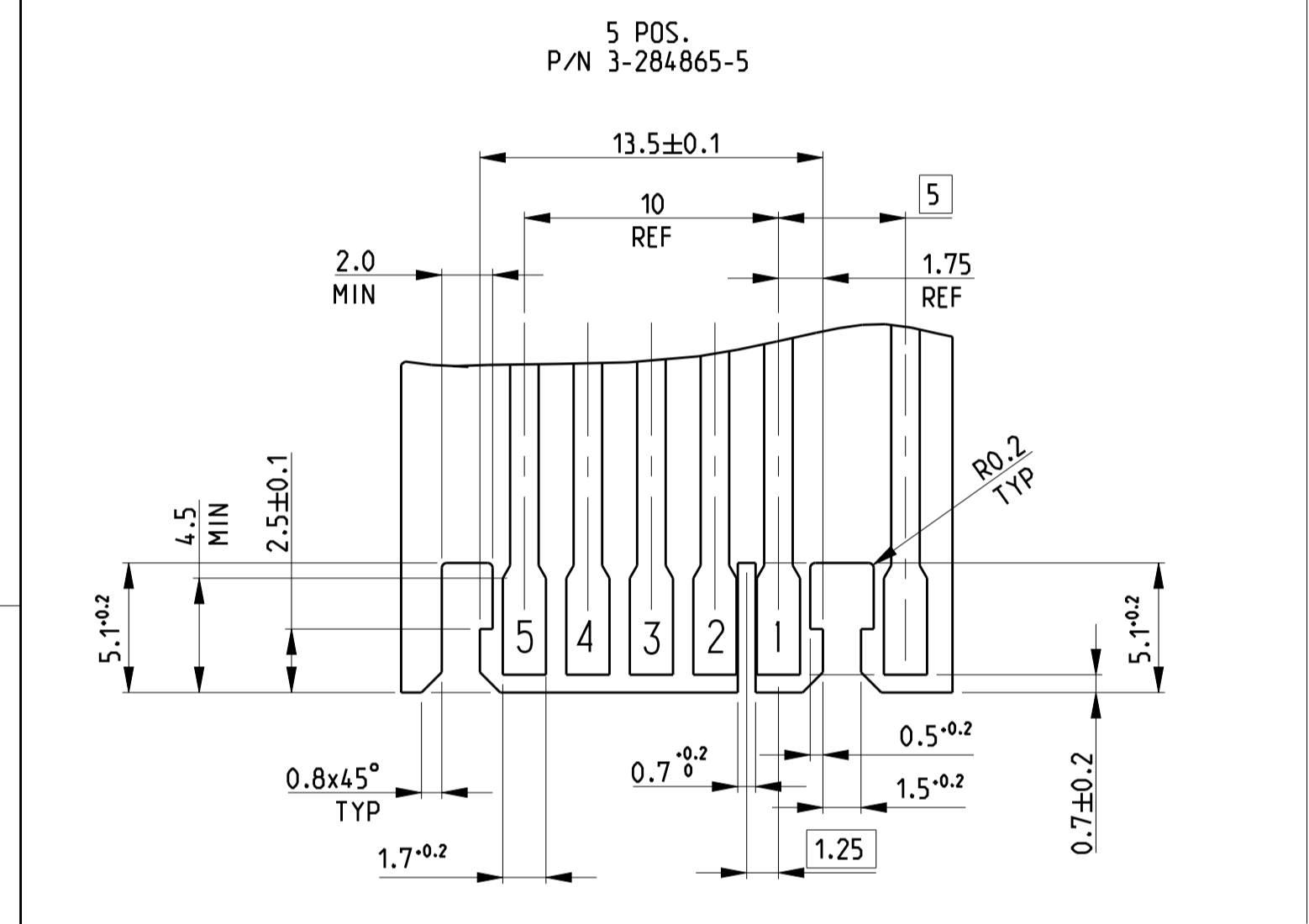
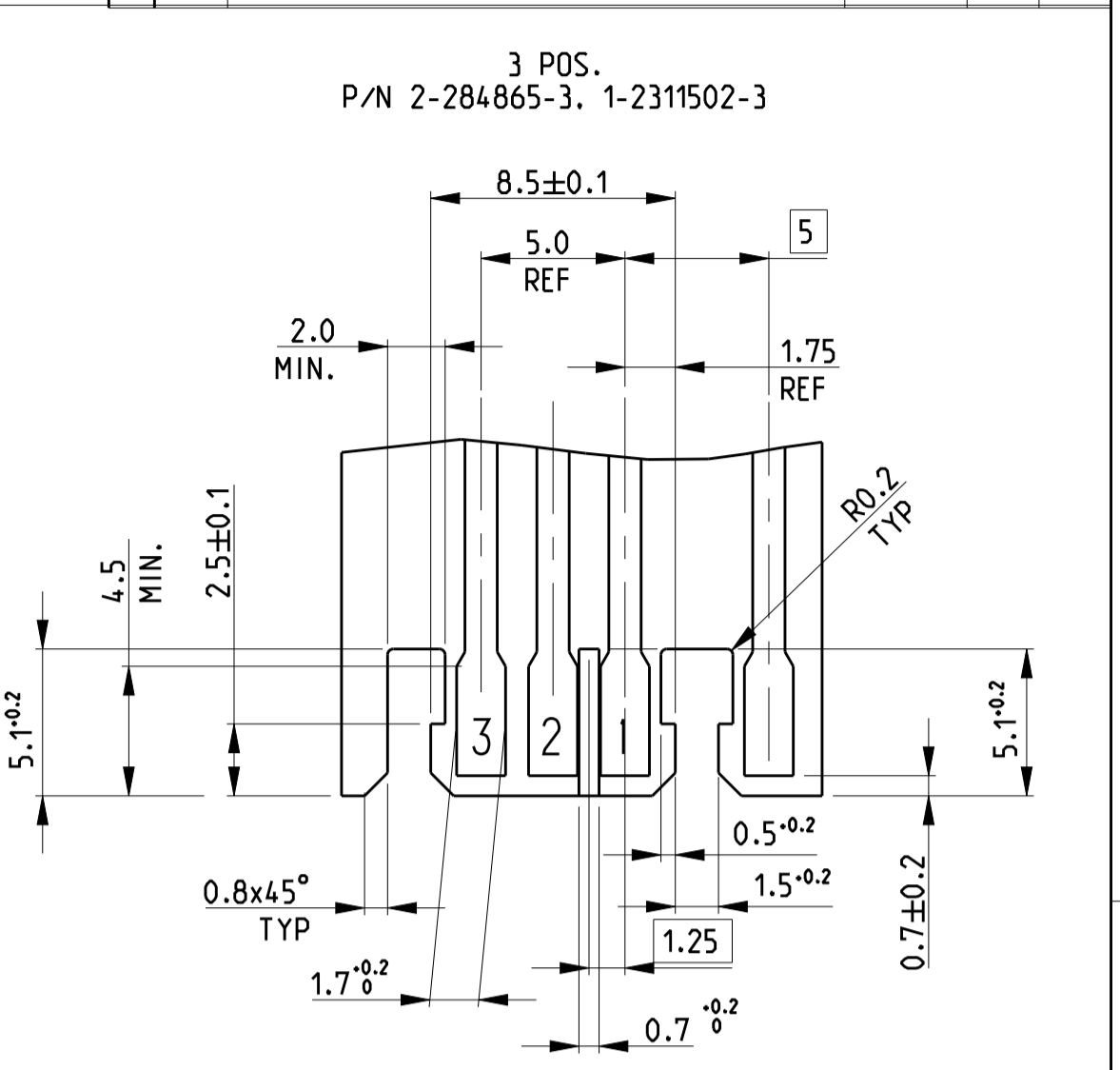
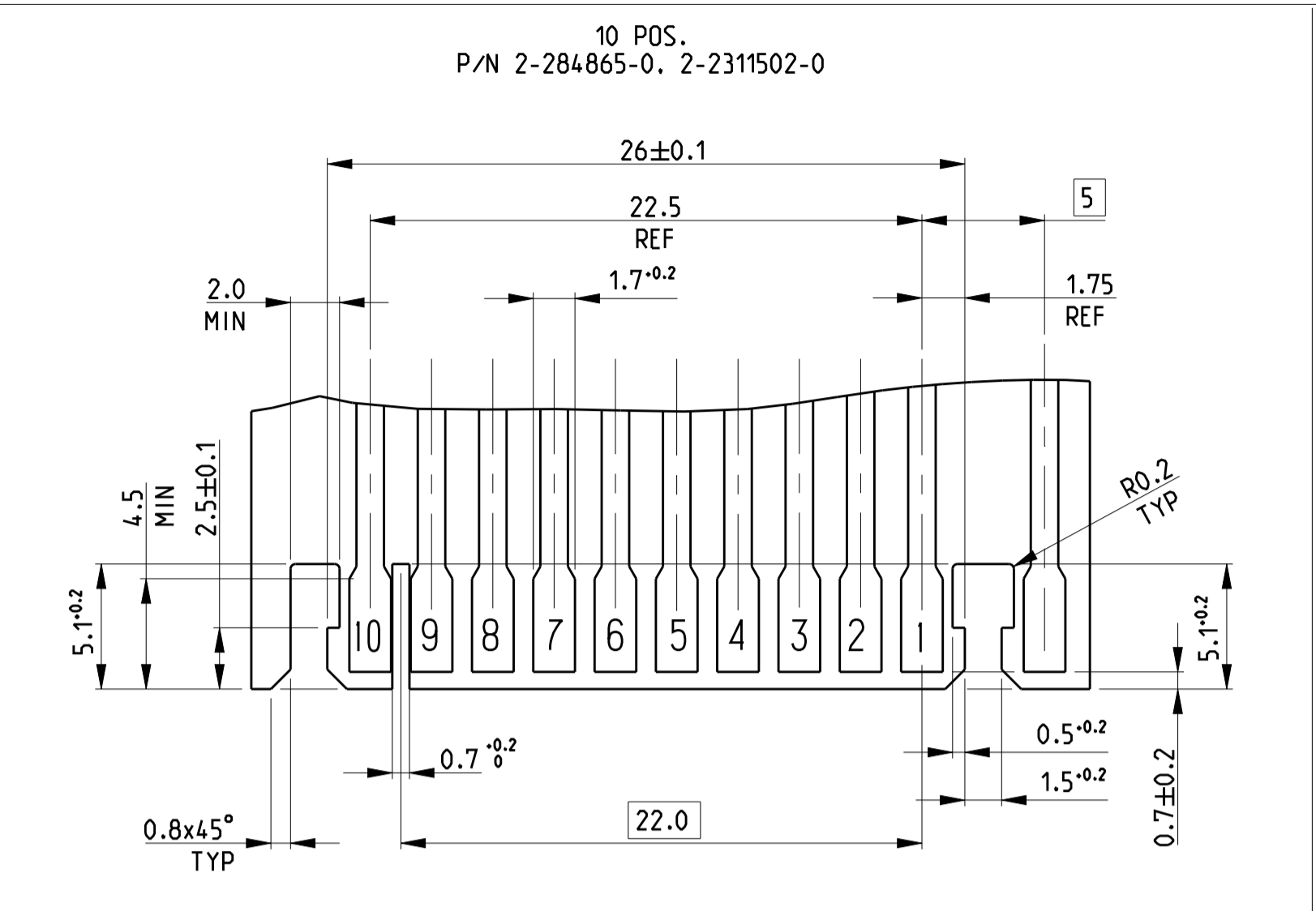
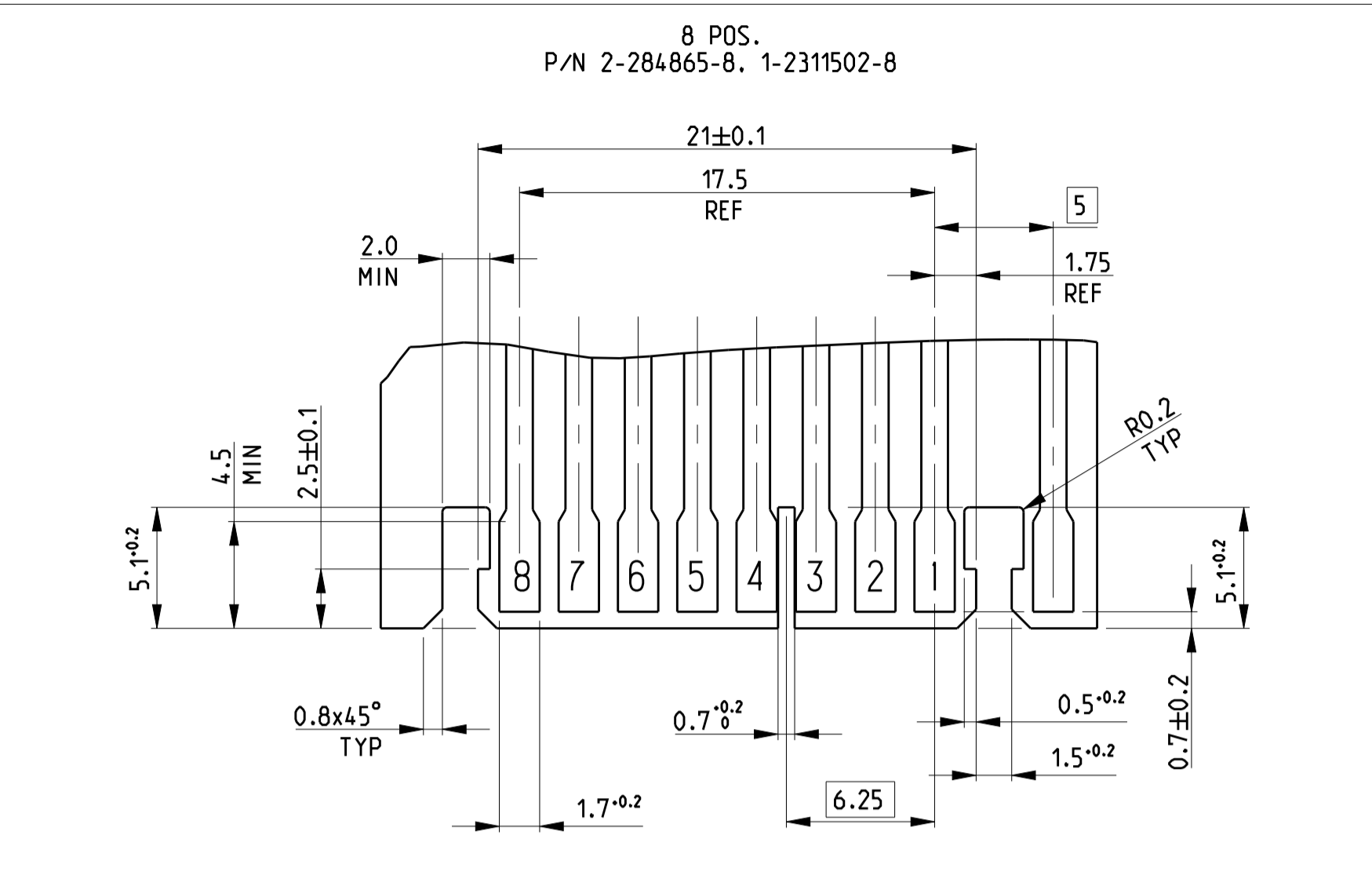
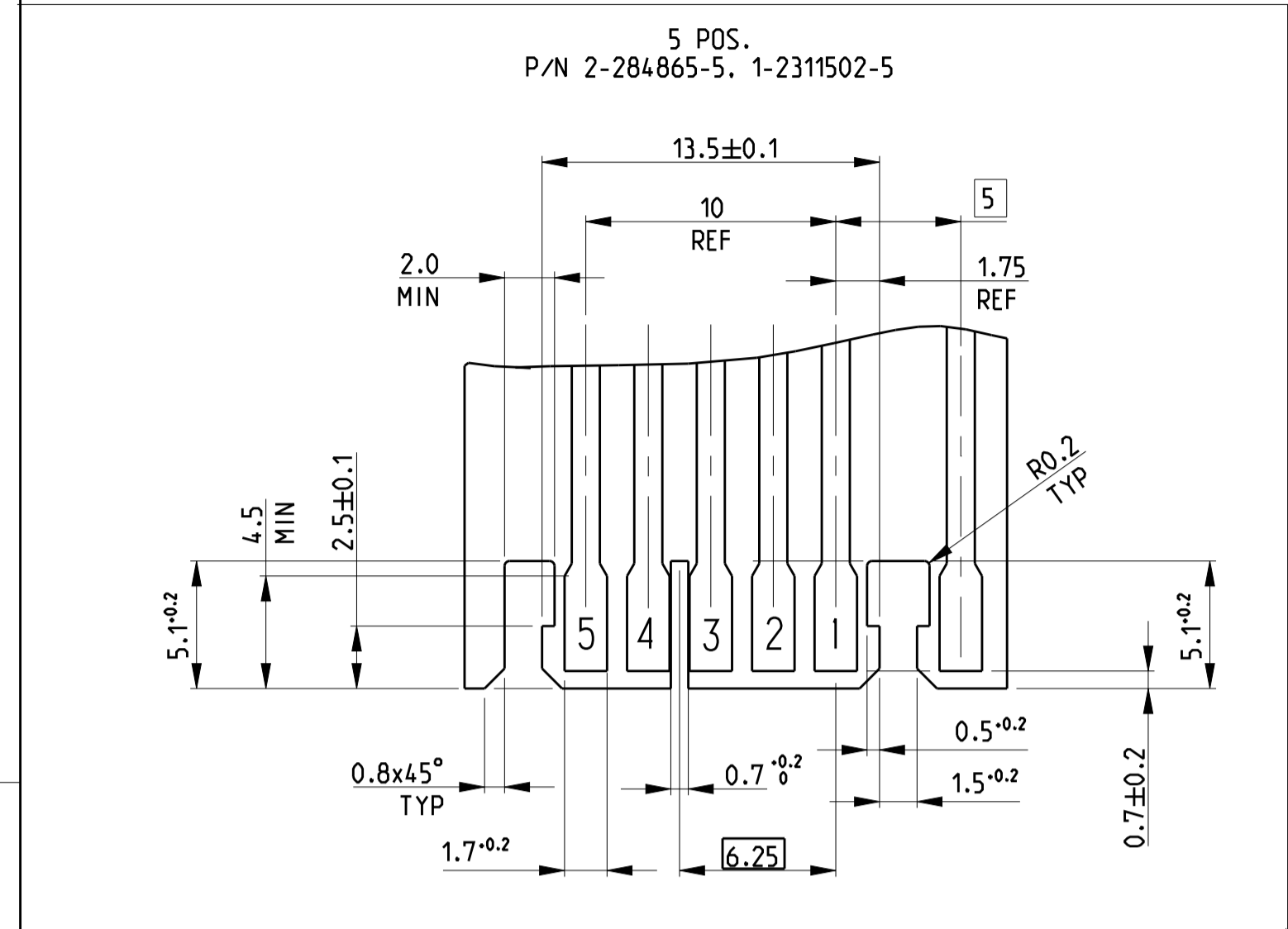
SIZE CAGE CODE DRAWING NO RESTRICTED TO  
 A1 00779 C=284865 -

SCALE 10:1 SHEET 2 OF 4 REV A22

LOC	DIST	REV	DESCRIPTION	DATE	OWN	APPD
		1	SEE SHEET 1			

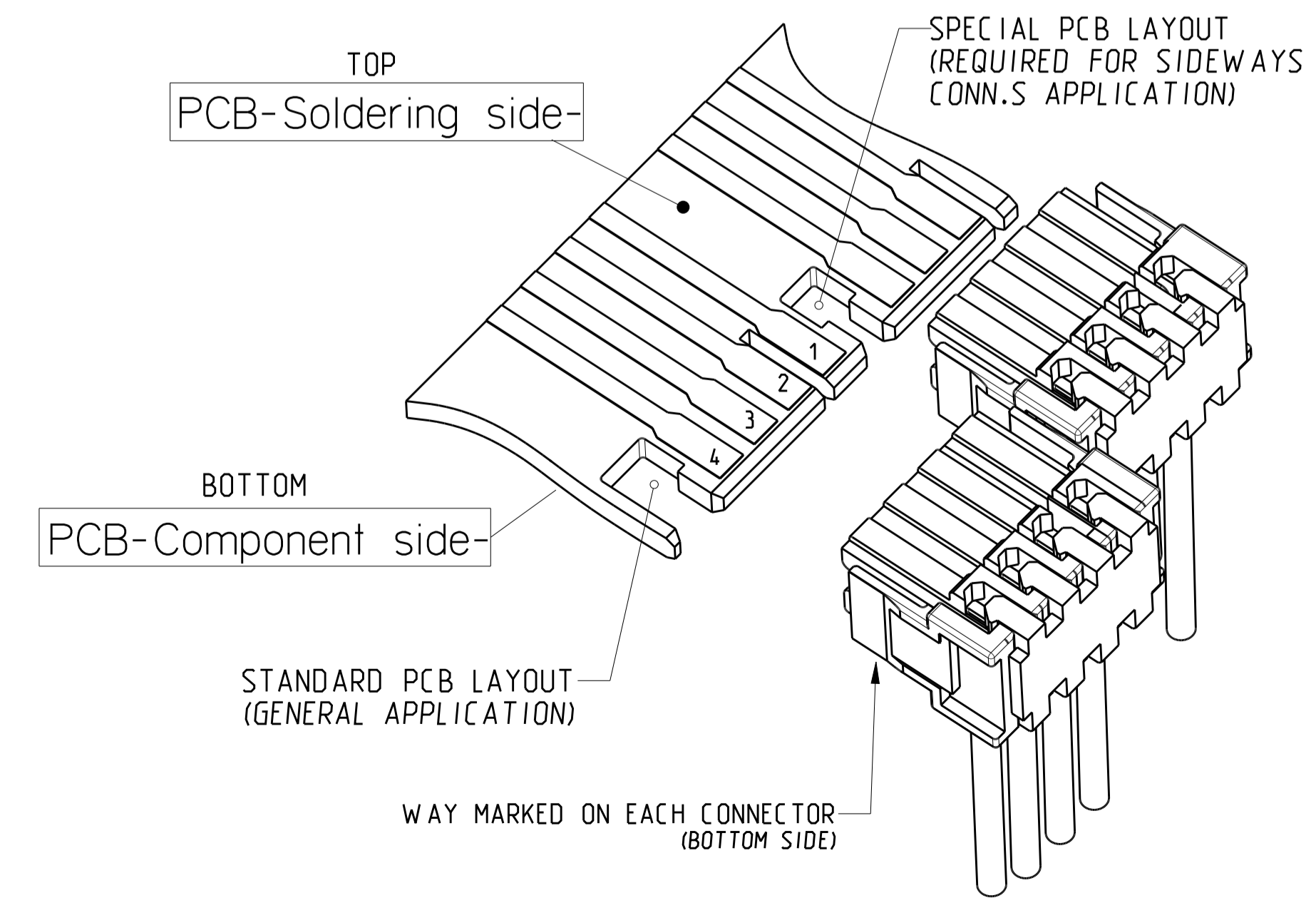
### PCB LAYOUT -Soldering side-

(SCALE 4:1)



### CONNECTION LAYOUT

E.G P/N 0-284865-4  
(SCALE 4:1)

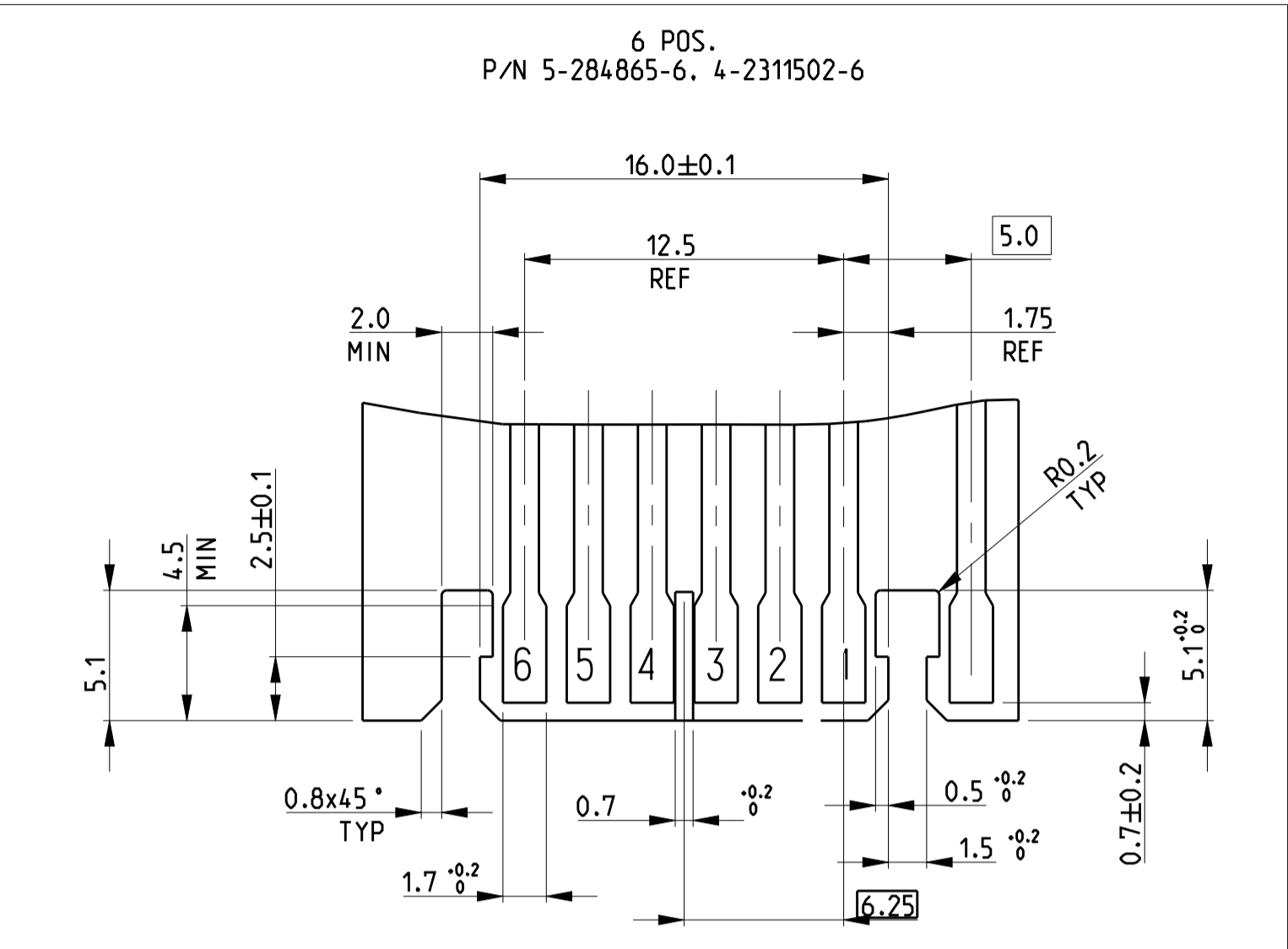


THIS DRAWING IS A CONTROLLED DOCUMENT.		OWN R. FABRIS 03JUL2002	TE Connectivity
DIMENSIONS: mm		APVD G. TURCO	
TOLERANCES UNLESS OTHERWISE SPECIFIED:		NAME	DUOPLUG 2.5 FEMALE CONN., SIDE LOCKING KEYS (FULLY LOADED)
0 PLC		PRODUCT SPEC	108-20238
1 PLC		APPLICATION SPEC	116-18049-1
2 PLC		SIZE	A1
3 PLC		CAGE CODE	00779
4 PLC		DRAWING NO	C=284865
ANGLES		WEIGHT	
FINISH		Customer Drawing	SCALE 10:1 SHEET 3 OF 4

### PCB LAYOUT -Soldering side-

(SCALE 4:1)

LOC	DIST	REVISIONS					
		P	LYR	DESCRIPTION	DATE	DWN	APVD
-	-	-	-	SEE SHEET 1	-	-	-



THIS DRAWING IS A CONTROLLED DOCUMENT.		DWN R. FABRIS	03JUL2002	TE Connectivity	
DIMENSIONS: mm		CHK -	APVD G. TURCO		
TOLERANCES UNLESS OTHERWISE SPECIFIED:		NAME		DUOPLUG 2.5 FEMALE CONN., SIDE LOCKING KEYED (FULLY LOADED)	
0 PLC ±		PRODUCT SPEC		108-20238	
1 PLC ±		APPLICATION SPEC		116-18049-1	
2 PLC ±		SIZE		CAGE CODE	
3 PLC ±		DRAWING NO		DRAWING NO	
4 PLC ±		RESTRICTED TO		-	
ANGLES		MATERIAL		SEE TABLE	
FINISH		WEIGHT		-	
MATERIAL SEE TABLE		Customer Drawing		SCALE 10:1 SHEET 4 OF 4	
FINISH SEE TABLE		A 1 00779 C=284865		REV A22	