

## BNC Connectors (50 ohm/75 ohm)

### Product Facts

- Bayonet lock coupling for quick connect/disconnect
- Various connectors available in 50 and 75 ohm versions
- Fully intermateable with comparable BNC UG/U connectors
- Full range of Hex Crimp and O Crimp Products for common coaxial cables.
- Low VSWR
- Single crimp connectors offer one crimping operation for fast application
- Twist-on connectors require no special tooling for application to the cable
- Field serviceable (Category A) connectors qualified to MIL-C-39012
- Field replaceable (Category C) plugs with captivated center contact
- Field replaceable plugs can be terminated with industry standard tooling
- Tarnish resistant Nickel finish available
- Choice of different dielectrics
- Listed under the Component Program of Underwriters Laboratories Inc., File No. E81956 
- PC Board soldered connectors are recognized under the Component Program of Underwriters Laboratories Inc., File No. E81956 
- Certified by Canadian Standards Association File No. LR 7189 

### Between Series Adapters

For BNC Between Series Adapters, see pages 251-260.



The Tyco Electronics BNC RF connector family with bayonet locking coupling provides highly reliable, quick connect/disconnect coaxial connections. Exclusive single and O crimp terminations allow positive insulation grip and require no soldering, providing terminations at a very low overall applied cost.

Available in both 50 and 75 ohm versions, these con-

nectors feature numerous styles including cable plugs and jacks, adapters and printed circuit board connectors. In addition to a variety of crimp type terminations, connectors are furnished in field replaceable and twist-on styles. These connectors accept a wide range of coaxial cables and are intermateable with industry standard connectors designed to MIL-C-39012 specifications.

Tyco Electronics can also supply low cost alternatives with an extensive commercial type product line. A lower cost consumer series product offers the capability to supply center contacts in strip form and allow for automated center contact crimp technology. All connectors are designed around the mil-specifications, but utilize low-cost materials, offering comparable mechanical and electrical performance.

### Related Product Data

#### Product Specifications —

- 108-1275 — BNC Ohm Terminators
- 108-12020 — BNC O Crimp Connectors
- 108-12044 — BNC Commercial Hex Crimp
- 108-12047 — BNC Commercial and Hex Crimp Connectors
- 108-12074 — BNC Solder Jacks
- 108-12075 — BNC Connectors (Category A)
- 108-12078 — BNC Commercial PCB Panel-Mount Jacks

- 108-12002 — BNC Commercial T Adapter
- 108-12095 — BNC Commercial 75 Ohm Connectors
- 108-12096 — BNC Commercial Feed-Thru and Bulkhead Adapters
- 108-12079 — BNC Commercial 50 Ohm Solder Jacks
- 108-12103 — BNC Commercial PCB Press Fit Jacks

#### Application Specifications —

- 114-12001 — BNC Commercial PCB Jack Press Fit

#### Performance Specifications —

Page 45

#### Material Specifications — Page 46

#### Tooling — Pages 266-268

**Military Category** — All MIL type O crimp connectors are Category B Type (Tyco Electronics Crimp Tooling), unless otherwise noted.

**Packaging** — All MIL Type connectors are packaged individually, all O crimp connectors are bulk packaged and all Hex crimp connectors are individually packaged unless otherwise noted.

## BNC Connectors (50 ohm/75 ohm) Performance Specifications

| Characteristics   | Single Crimp (MIL Type)                | Category B O Crimp (MIL Type)                       | Straight Solder Clamp          | Right-Angle Solder Clamp       | Commercial O Crimp & Hex Crimp 50 Ohms    | Commercial O Crimp & Hex Crimp 75 Ohms  | Commercial PC Board 50 & 75 Ohms            | Commercial Solder 50 Ohm Jacks          |
|---|--|---|--------------------------------|--------------------------------|---|---|---|---|
| <b>Electrical</b>                                       |  |   |                                |                                |   |   |   |   |
| Impedance, Nom. (Ohms)                                  | 50                                     | 50  | 50                             | 50                             | 50  | 75                                      | 50 & 75                                     | 50 & 75                                 |
| Working Voltage (Volts RMS)                             | 500                                    | 500   | 500                            | 500                            | 500                                       | 500                                     | 500   | 500                                     |
| Contact Resistance (Milliohms)                          | Inner: 1.5<br>Outer: 0.3               | Inner: 1.5<br>Outer: 0.2                            | Inner: 1.5<br>Outer: .20       | Inner: 1.5<br>Outer: .20       | Inner: 2.0<br>Outer: 1.0                  | Inner: 2.0<br>Outer: 2.0                | Inner: 6/1.5<br>Outer: 3/0.2                | Inner: 2.75<br>Outer: 1.0               |
| Initial Insulation Resistance (Megohms)                 | 5000                                   | 5000  | 5000                           | 5000                           | 5000                                      | 5000                                    | 5000  | 5000                                    |
| Dielectric Withstanding Voltage (VAC)                   | 1500                                   | 1500  | 1500                           | 1500                           | 1500                                      | 1500                                    | 1500  | 1500                                    |
| Corona Level at 70,000 ft. (Volts, RMS)                 | 375                                    | 375   | 375                            | 375                            | 375                                       | 375                                     | —   | 375                                     |
| RF Leakage, Max. (dB)                                   | —                                      | -55 at 2-3 GHz                                      | -55 at 2-3 GHz                 | -55 at 2-3 GHz                 | -55 at 2-3 GHz                            | -55 at 1-2 GHz                          | —   | —                                       |
| RF Insertion Loss, Max. (dB)                            | —                                      | 0.2 at 3 GHz  | 0.2 at 3 GHz                   | 0.3 at 3 GHz                   | 0.2 at 3 GHz                              | 0.15 at 2 GHz                           | —   | —                                       |
| Frequency Range (GHz)                                   | 0-2.5                                  | 0-4   | 0-4                            | 0-4                            | 0-4                                       | 0-2                                     | 0-4 and 0-2                                 | 0-4                                     |
| VSWR in Frequency Range Max.                            | 1.35                                   | 1.30  | 1.30                           | 1.35                           | 1.30                                      | 1.30                                    | —   | —                                       |
| <b>Mechanical</b>                                       |  |   |                                |                                |   |   |   |   |
| Force to Engage (lbs. [N])/couple, (in-lbs. [N-m]) max. | 13.3/11.12 [3/2.5]                     | 13.3/11.12 [3/2.5]                                  | 13.3/.028 [3/2.5]              | 13.3/.028 [3/2.5]              | 26.7/26.69 [6/6.0]                        | 26.7/26.69 [6/6.0]                      | —   | —                                       |
| Coupling Nut Retention, Min. N [lbs.]                   | 444.8 [100]                            | 444.8 [100]   | 444.8 [100]                    | 444.8 [100]                    | 266.9 [60]                                | 266.9 [60]                              | —   | —                                       |
| Cable Retention, N [lbs.]                               | 266.9 [60] (RG58C/U)                   | 266.9 [60] (RG58C/U)                                | 177.9 [40] (RG58C/U)           | 177.9 [40] (RG58C/U)           | 266.9 [60] (RG58C/U)                      | 266.9 [60] (RG58C/U)                    | 266.9 [60] (PCB Ret)                        | —                                       |
| Durability (Cycles)                                     | 500                                    | 500   | 500                            | 500                            | 500                                       | 500                                     | 500   | 500                                     |
| Jam Nut Mounting Torque, Max. [N•m] (in. lbs.)          | 25 [2.8]                               | 25 [2.8]  | 25 [2.8]                       | —                              | 25 [2.8]                                  | 25 [2.8]                                | 25 <sup>3</sup> /12 <sup>4</sup> [2.8/1.4]  | 25 [2.8]                                |
| <b>Environmental</b>                                    |  |   |                                |                                |   |   |   |   |
| Temperature Range, Operating (C°)                       | -65 to +85                             | -65 to +165 <sup>1</sup><br>-55 to +85 <sup>2</sup> | -65 to +165                    | -65 to +165                    | -55 to +85                                | -55 to +85                              | -55 to +85                                  | -65 to +165                             |
| Vibration   | MIL-STD-202 Method 204 Cond. B         | MIL-STD-202 Method 204 Cond. B                      | MIL-STD-202 Method 204 Cond. B | MIL-STD-202 Method 204 Cond. B | MIL-STD-1344 Method 2005 Cond. III        | MIL-STD-202 Method 204 Cond. B          | MIL-STD-202 Method 201A                     | MIL-STD-202 Method 204 Cond. B          |
| Physical Shock  | MIL-STD-202 Method 213 Cond. G, 50 G's | MIL-STD-202 Method 213 Cond. G, 50 G's              | MIL-STD-202 Method 213 Cond. G | MIL-STD-202 Method 213 Cond. G | MIL-STD-1344 Method 2004 Cond. G, 100 G's | MIL-STD-202 Method 213 Cond. I, 100 G's | MIL-STD-202 Method 213 Cond. I or A, 50 G's | MIL-STD-202 Method 213 Cond. I, 100 G's |
| Thermal Shock   | MIL-STD-202 Method 107                 | MIL-STD-202 Method 107                              | MIL-STD-202 Method 107         | MIL-STD-202 Method 107         | MIL-STD-1344 Method 1003 Cond. A          | MIL-STD-202 Method 107                  | MIL-STD-202 Method 107                      | MIL-STD-202 Method 107                  |
| Moisture Resistance                                     | MIL-STD-202 Method 106                 | MIL-STD-202 Method 106                              | MIL-STD-202 Method 106         | MIL-STD-202 Method 106         | MIL-STD-1344 Method 1002 Type II          | MIL-STD-202 Method 106                  | MIL-STD-202 Method 106                      | MIL-STD-202 Method 106                  |
| Salt Spray  | MIL-STD-202 Method 101 Cond. B         | MIL-STD-202 Method 101 Cond. B                      | MIL-STD-202 Method 101 Cond. B | MIL-STD-202 Method 101 Cond. B | MIL-STD-1344 Method 1001 Cond. B          | MIL-STD-202 Method 101 Cond. B          | MIL-STD-202 Method 101 Cond. B              | MIL-STD-202 Method 101 Cond. B          |
| Product Specification                                   | 108-12002                              | 108-12020   | —                              | —                              | 108-12044<br>108-12047                    | 108-12095                               | 108-12078                                   | 108-12079                               |

<sup>1</sup>Assembled to cable with polytetrafluorethylene dielectric.

<sup>2</sup>Assembled to cable with polyethylene dielectric.

<sup>3</sup>For Metal Threads

<sup>4</sup>For Polyester Threads

**BNC Connectors (50 ohm/75 ohm) Performance Specifications (Continued)**

| Connector Component                           | Single Crimp (MIL Type)                          | Category B & C O Crimp (MIL Type)         | Straight Solder Clamp    | Right-Angle Solder Clamp | Commercial O Crimp Hex Crimp & Terminators                      | Commercial PCB Solder  | Commercial PCB Press Fit | Commercial Solder Ohm Jacks                                  | Adapters  |
|---|--|---|--------------------------|--------------------------|---|--|--------------------------|--|---|
| <b>Connector Material</b>                     |  |   |                          |                          |   |  |                          |  |   |
| Collar  | Brass QQ-B-626                                   | Brass QQ-B-626                            | Brass                    | Brass                    | Brass QQ-B-626<br>Zinc QQ-Z-363                                 | —  | —                        | —  | Brass QQ-B-626                                    |
| Outer Contact (Plug)                          | Brass QQ-B-626<br>Beryl. Copper QQ-C-530         | Phos. Bronze QQ-B-750                     | Brass                    | Brass                    | Brass MIL-C-21768   | —  | —                        | —  | Brass QQ-B-626<br>Beryl. Copper QQ-C-530          |
| Shell (Jack)                                  | Brass QQ-B-626                                   | Brass QQ-B-626                            | Brass                    | —                        | Zinc QQ-Z-363   | Zinc QQ-Z-363  | Zinc<br>Zinc QQ-Z-363    | QQ-Z-363<br>Brass QQ-B-626                                   | Brass QQ-B-626                                    |
| Dielectric                                    | TEFLON MIL-P-19468<br>Polypropylene Gen. Purpose | TEFLON MIL-P-19468                        | TEFLON                   | TEFLON                   | Polyethylene<br>Polypropylene<br>Polymethylpentene Gen. Purpose | Polymethylpentene Gen. Purpose <sup>1</sup>                  | TEFLON MIL-P-19468       | TEFLON MIL-P-19468<br>Polyester PBT MIL-P-24519              | TEFLON MIL-P-19468<br>Polypropylene, Gen. Purpose |
| Center Contact (Plug)                         | Brass QQ-B-626                                   | Brass QQ-B-626                            | Brass                    | Brass                    | Brass QQ-B-626  | —  | —                        | —  | Brass QQ-B-626<br>Beryl. Copper QQ-C-530          |
| Center Contact (Jack)                         | Beryl. Copper ASTM-B-643<br>QQ-C-530             | Beryl. Copper ASTM-B-643<br>QQ-C-530      | Beryl. Copper            | Beryl. Copper            | Beryl. Copper QQ-C-530  | Phos. Bronze QQ-B-750  | Beryl. Copper QQ-C-530   | Phos. Bronze QQ-B-570<br>Beryl. Copper QQ-C-530              | Phos. Bronze QQ-B-570<br>Beryl. Copper QQ-C-530   |
| Gasket  | Silicon Rubber QQ-R-765                          | Silicon Rubber QQ-R-765                   | Silicon Rubber           | Silicon Rubber           | Silicon Rubber QQ-R-765   | —  | —                        | —  | Silicon Rubber QQ-R-765                           |
| Ferrule                                       | Copper QQ-C-576                                  | Copper QQ-C-576                           | —                        | —                        | Copper QQ-C-576   | —  | —                        | —  | —   |
| <b>Connector Primary Finishes<sup>2</sup></b> |  |   |                          |                          |   |  |                          |  |   |
| Collar  | Silver QQ-S-365<br>Bright Nickel QQ-N-290        | Silver QQ-S-365<br>Bright Nickel QQ-N-290 | Silver/<br>Bright Nickel | Silver/<br>Bright Nickel | Bright Nickel QQ-N-290  | —  | —                        | —  | Silver QQ-S-365<br>Bright Nickel QQ-N-290         |
| Outer Contacts (Plug & Jack)                  | QQ-S-365<br>Gold                                 | Silver QQ-S-365<br>Bright Nickel QQ-N-290 | Silver/<br>Bright Nickel | Silver/<br>Bright Nickel | Bright or<br>Matte Nickel QQ-N-290                              | Bright Nickel QQ-N-290                                       | Bright Nickel QQ-N-290   | Bright Nickel QQ-N-290                                       | Silver QQ-S-365<br>Bright Nickel QQ-N-290         |
| Center Contacts (Plug & Jack)                 | MIL-G-45204<br>Silver                            | Gold MIL-G-45204                          | Gold                     | Gold                     | Tin Lead ASTM-B-545<br>Silver, QQ-S-365<br>Gold, MIL-G-45204    | Tin Lead ASTM-B-545<br>Silver, QQ-S-365<br>Gold, MIL-G-45204 | Gold MIL-B-45204         | Tin Lead ASTM-B-545<br>Silver, QQ-S-365<br>Gold, MIL-G-45204 | Silver QQ-S-365<br>Gold MIL-G-45204               |
| Ferrule <sup>3</sup>                          | QQ-S-365   | Silver QQ-S-365<br>Tin Lead ASTM-B-545    | —                        | —                        | Tin Lead ASTM-B-545   | —  | —                        | —  | —   |

<sup>1</sup>Several pc board connectors have an outer polyester PBT insulator per MIL-P-24519.

<sup>2</sup>If more than one finish is listed, refer to individual catalog page(s) or customer drawings for exact specification.

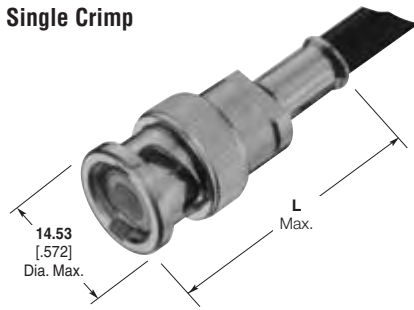
<sup>3</sup>Ferrules with tin-lead finish are used with nickel plated outer contacts.

TEFLON is a trademark of E.I. Dupont de Nemours and Company.

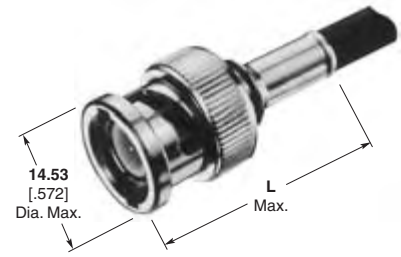
## BNC Connectors, 50 Ohm

### Plugs, Crimp

#### Single Crimp



#### Hex and O Crimp

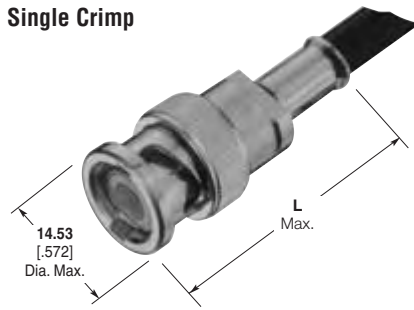
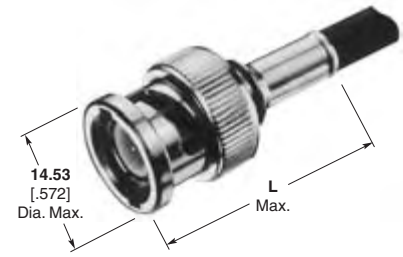


| RG/U Cable                                   | Termination Type | Body Plating | Dielectric   | Style      | Dim. L                | CERTI-CRIMP Hand Tool with Integral Die | Interchangeable Dies for PRO-CRIMPER Hand Tool 354940-1 or PRO-CRIMPER Adapter 679304-1 | Interchangeable Dies for Hand Tool 69710-1 & 626 Pneu. Head 318161-1 | Part No.                       |
|--|------------------|--------------|--------------|------------|-----------------------|---|---|--|--------------------------------|
| 178, 178A, 178B, 196, 196A                   | Single Crimp     | Silver       | TEFLON       | MIL Type   | <b>33.33</b><br>1.312 | 69245-4                                 | —   | 69471  | <b>5330876</b>                 |
| 174, 188, 188A, 316                          | Hex Crimp        | Nickel       | Polyethylene | Commercial | <b>33.53</b><br>1.320 | —                                       | 58436-3   | —  | <b>2-5221128-1</b>             |
|  | O Crimp          | Nickel       | Polyethylene | Commercial | <b>27.69</b><br>1.090 | 220009-5                                | 318450-2  | 220217-3   | <b>1-5227079-6</b>             |
|  | O Crimp          | Nickel       | TEFLON       | MIL Type   | <b>30.18</b><br>1.188 | —                                       | 1424050-1   | 220026-1   | <b>5225395-7</b>               |
|  | Single Crimp     | Silver       | TEFLON       | MIL Type   | <b>33.33</b><br>1.312 | 69245-2                                 | —   | 69422  | <b>2-5330061-1</b>             |
| 179, 179A, 179B, 161, 187, 187A, BELDEN 9221 | Hex Crimp        | Nickel       | Polyethylene | Commercial | <b>33.53</b><br>1.320 | —                                       | 58436-3   | —  | <b>2-5221128-3</b>             |
|  | O Crimp          | Nickel       | Polyethylene | Commercial | <b>27.69</b><br>1.090 | —                                       | 1424050-1   | 220217-3   | <b>2-5227079-2</b>             |
|  | O Crimp          | Nickel       | TEFLON       | MIL Type   | <b>30.18</b><br>1.188 | —                                       | —   | 220026-1   | <b>5225395-8</b>               |
|  | Single Crimp     | Silver       | TEFLON       | MIL Type   | <b>33.33</b><br>1.312 | —                                       | 91910-1   | 69408  | <b>2-5329446-1</b>             |
| RD 316, 188, Double Braid                    | O Crimp          | Nickel       | Polyethylene | Commercial | <b>27.69</b><br>1.090 | 69477-4                                 | 58539-1   | —  | <b>8-5227079-2</b>             |
| BELDEN 8219                                  | Hex Crimp        | Nickel       | Polyethylene | Commercial | <b>33.53</b><br>1.320 | —                                       | 58436-1 <sup>2</sup>  | —  | <b>2-5221128-7</b>             |
|  | O Crimp          | Nickel       | Polyethylene | Commercial | <b>27.69</b><br>1.090 | 220187-1                                | 58435-1 <sup>1</sup>  | 220217-1   | <b>6-5227079-7<sup>3</sup></b> |
| BELDEN 9907, 89907 COMM/SCOPE 2104           | O Crimp          | Nickel       | Polyethylene | Commercial | <b>27.69</b><br>1.090 | 220187-1                                | 318452-2  | 220217-1   | <b>6-5227079-8<sup>4</sup></b> |
| BELDEN 8218                                  | O Crimp          | Nickel       | Polyethylene | Commercial | <b>27.69</b><br>1.090 | 69477-4                                 | 58539-1   | 58376-1  | <b>1-5227079-9</b>             |
|  | O Crimp          | Nickel       | TEFLON       | MIL Type   | <b>30.18</b><br>1.188 | —                                       | 91904-1   | 69669-2  | <b>1-5225395-0</b>             |

<sup>1</sup>Order Tyco Electronics PRO-CRIMPER Coaxial "O" Crimp Hand Tool assembly 58433-1, which includes dies 58435-1.  
<sup>2</sup>Order Tyco Electronics PRO-CRIMPER Coaxial Hex Crimp Hand Tool assembly 58433-2, which includes dies 58436-1.  
<sup>3</sup>For use with BELDEN 9907 cable, COMM/SCOPE 3104 cable, and BELDEN 8219 cable only.  
<sup>4</sup>For use with BELDEN 89907 cable, and COMM/SCOPE 2104 cable only.

BELDEN is a trademark of Belden Wire and Cable Company.  
 COMM/SCOPE is a trademark of Commscope, Inc.  
 TEFLON is a trademark of E.I. Dupont de Nemours and Company.

**Note:** Part Numbers are RoHS compliant except: ♦ Indicates non-RoHS compliant.

**BNC Connectors, 50 Ohm (Continued)**
**Plugs, Crimp (Continued)**
**Single Crimp**

**Hex and O Crimp**


| RG/U Cable                                      | Termination Type | Body Plating | Dielectric   | Style      | Dim. L                | CERTI-CRIMP Hand Tool with Integral Die | Interchangeable Dies for PRO-CRIMPER Hand Tool 354940-1 or PRO-CRIMPER Adapter 679304-1 | Interchangeable Dies for Hand Tool 69710-1 & 626 Pneu. Head 318161-1 | Part No.           |
|---|------------------|--------------|--------------|------------|-----------------------|---|---|--|--------------------|
| 58, 58A, 58B, 58C                               | Hex Crimp        | Nickel       | Polyethylene | Commercial | <b>33.53</b><br>1.320 | —                                       | 58436-12  | —  | <b>5221128-13</b>  |
|   | O Crimp          | Nickel       | Polyethylene | Commercial | <b>27.69</b><br>1.090 | 220187-1                                | 58435-11  | 220217-1   | <b>5227079-5</b>   |
|   | O Crimp          | Nickel       | TEFLON       | MIL Type   | <b>33.74</b><br>1.328 | 69478-1                                 | 220189-3  | 69727  | <b>5225395-1</b>   |
|   | Single Crimp     | Silver       | TEFLON       | MIL Type   | <b>33.33</b><br>1.312 | —                                       | 91904-4   | 69223-1  | <b>2-5329444-1</b> |
| BELDEN 88240, BERK-TEK BTDC-58, COMM/SCOPE 2135 | Hex Crimp        | Nickel       | Polyethylene | Commercial | <b>33.53</b><br>1.320 | —                                       | 58436-12  | —  | <b>1-5221128-0</b> |
|   | O Crimp          | Nickel       | Polyethylene | Commercial | <b>33.33</b><br>1.312 | 220187-1                                | 58435-11  | 220217-1   | <b>4-5227079-3</b> |
|   | O Crimp          | Nickel       | TEFLON       | MIL Type   | <b>33.33</b><br>1.312 | 69478-1                                 | 220189-3  | 69727  | <b>4-5225395-2</b> |
| 223, 55, 55A, 55B                               | O Crimp          | Nickel       | Polyethylene | Commercial | <b>27.69</b><br>1.280 | 220187-1                                | 58435-11  | 220217-1   | <b>5227079-6</b>   |
|   | O Crimp          | Nickel       | TEFLON       | MIL Type   | <b>43.64</b><br>1.718 | 69478-1                                 | 220189-3  | 69727  | <b>5225395-3</b>   |
|   | Single Crimp     | Silver       | TEFLON       | MIL Type   | <b>33.33</b><br>1.312 | —                                       | 91904-3   | 69424  | <b>2-5329444-2</b> |
| 142, 142A, 142B, 400                            | O Crimp          | Nickel       | Polyethylene | Commercial | <b>27.69</b><br>1.090 | 220187-1                                | 58435-11  | 220217-1   | <b>6-5227079-1</b> |
|   | O Crimp          | Nickel       | TEFLON       | MIL Type   | <b>30.18</b><br>1.188 | 69478-1                                 | 220189-3  | 69727  | <b>5225395-6</b>   |
|   | Single Crimp     | Silver       | TEFLON       | MIL Type   | <b>33.33</b><br>1.312 | 69331-1                                 | —   | 69429-1  | <b>2-5330358-2</b> |

Consult Tyco Electronics for recommended crimp tooling.

<sup>1</sup>Order Tyco Electronics PRO-CRIMPER Coaxial "O" Crimp Hand Tool assembly 58433-1, which includes dies 58435-1.

<sup>2</sup>Order Tyco Electronics PRO-CRIMPER Coaxial Hex Crimp Hand Tool assembly 58433-2, which includes dies 58436-1.

<sup>3</sup>Bulk packaged.

BELDEN is a trademark of Belden Wire and Cable Company.

BERK-TEK is a trademark of Nexans, Inc.

COMM/SCOPE is a trademark of Commscope, Inc.

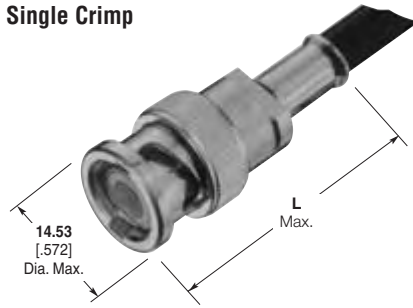
TEFLON is a trademark of E.I. Dupont de Nemours and Company.

**Note:** Part Numbers are RoHS compliant except: ♦ Indicates non-RoHS compliant.

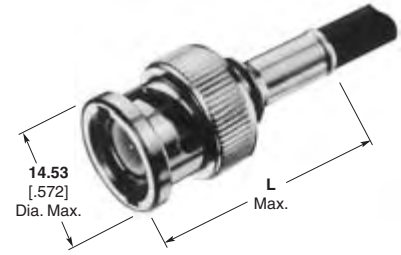
**BNC Connectors, 50 Ohm (Continued)**

**Plugs, Crimp (Continued)**

**Single Crimp**



**Hex and O Crimp**



| RG/U Cable  | Termination Type | Body Plating | Dielectric    | Style      | Dim. L                | CERTI-CRIMP Hand Tool with Integral Die | Interchangeable Dies for PRO-CRIMPER Hand Tool 354940-1 or PRO-CRIMPER Adapter 679304-1 | Interchangeable Dies for Hand Tool 69710-1 & 626 Pneu. Head 318161-1 | Part No.           |
|---|------------------|--------------|---------------|------------|-----------------------|---|---|--|--------------------|
| 124, 140, 210, 62, 62A, 62B, 59, 59A, 59B, BELDEN 9291, 9209, 9269            | Hex Crimp        | Nickel       | Polyethylene  | Commercial | <b>33.53</b><br>1.320 | —                                       | 58436-12  | —  | <b>1-5221128-1</b> |
|   | O Crimp          | Nickel       | Polyethylene  | Commercial | <b>27.69</b><br>1.090 | 220187-2                                | 58435-11  | 220217-2   | <b>5227079-7</b>   |
|   | O Crimp          | Nickel       | Polyethylene  | Commercial | <b>27.69</b><br>1.090 | 220187-2                                | 58435-11  | 220217-2   | <b>1-5227079-1</b> |
|   | O Crimp          | Nickel       | TEFLON        | MIL Type   | <b>30.18</b><br>1.188 | —                                       | 58537-1   | —  | <b>5225395-2</b>   |
|   | Single Crimp     | Silver       | TEFLON        | MIL Type   | <b>33.33</b><br>1.312 | 69141-1                                 | —   | —  | <b>2-5329445-1</b> |
| 302, BELDEN 88241, 89269, Hi-Temp 62A, Times PL62, BERK-TEK, BTDC-59, BTDC-62 | Hex Crimp        | Nickel       | Polyethylene  | Commercial | <b>33.53</b><br>1.320 | —                                       | 58436-12  | —  | <b>1-5221128-1</b> |
|   | O Crimp          | Nickel       | TEFLON        | MIL Type   | <b>34.14</b><br>1.344 | 69477-1                                 | 58537-1   | 69669-1  | <b>4-5225395-1</b> |
| Hi-Temp 59, Times PL59, PLF59 (20 AWG C.C.)                                   | O Crimp          | Nickel       | Polyethylene  | Commercial | <b>33.33</b><br>1.312 | —                                       | 58537-1   | —  | <b>5-5227079-3</b> |
| BELDEN 9104, 9240, 9112, 9167, 9259, 9266, Times FM-59                        | Hex Crimp        | Nickel       | Polyethylene  | Commercial | <b>33.53</b><br>1.320 | —                                       | 58436-12  | —  | <b>1-5221128-7</b> |
|   | O Crimp          | Nickel       | TEFLON        | MIL Type   | <b>30.94</b><br>1.218 | —                                       | 58537-1   | 69669-1  | <b>2-5225395-0</b> |
| BELDEN 8281, 9141, 9231, Western Electric 724, 728, 3049                      | Single Crimp     | Silver       | Polypropylene | MIL Type   | <b>41.50</b><br>1.634 | 69652                                   | —   | 220000   | <b>5330878</b>     |
| 8, 8A, 213  | O Crimp          | Silver       | TEFLON        | MIL Type   | <b>27.31</b><br>1.075 | 220015-1                                | —   | —  | <b>5225886-1</b>   |
| 11, 11A   | O Crimp          | Silver       | TEFLON        | MIL Type   | <b>47.63</b><br>1.875 | 220015-1                                | —   | —  | <b>5225886-4</b>   |
| BELDEN 9914, Times FM-8   | O Crimp          | Silver       | TEFLON        | MIL Type   | <b>47.63</b><br>1.875 | 220015-1                                | —   | —  | <b>5225886-7</b>   |
| Alpha 9847, BELDEN 8213, 9292   | O Crimp          | Silver       | TEFLON        | MIL Type   | <b>47.63</b><br>1.875 | 220015-1                                | —   | —  | <b>225886-5 ♦</b>  |
| 9, 9A, 9B, 214  | O Crimp          | Silver       | TEFLON        | MIL Type   | <b>52.38</b><br>2.062 | 220015-1                                | —   | —  | <b>5225886-1</b>   |

<sup>1</sup>Order Tyco Electronics PRO-CRIMPER Coaxial "O" Crimp Hand Tool assembly 58433-1, which includes dies 58435-1.  
<sup>2</sup>Order Tyco Electronics PRO-CRIMPER Coaxial Hex Crimp Hand Tool assembly 58433-2, which includes dies 58436-1.  
 Tyco Electronics PRO-CRIMPER II Hand Tool Frame without dies Part No. 354940-1

BELDEN is a trademark of Belden Wire and Cable Company.  
 BERK-TEK is a trademark of Nexans, Inc.  
 TEFLON is a trademark of E.I. Dupont de Nemours and Company.

**Note:** Part Numbers are RoHS compliant except: ♦ Indicates non-RoHS compliant.



**BNC Connectors, 50 Ohm (Continued)**

**Plugs, Twist-On**

**Related Product Data**

Twist-On plugs must be used with cable that has a solid conductor. These plugs are not recommended for applications where the cable frequently moves or flexes.

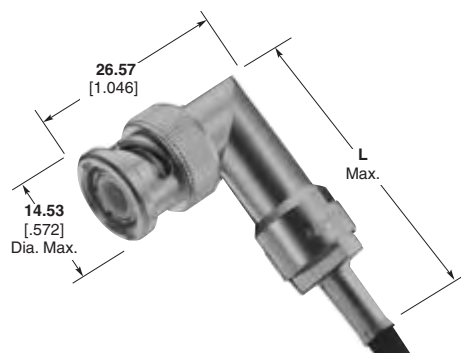


Mating Twist-On Jack — Page 52

| RG/U Cable   | Contact Plating | Body Plating | Dielectric         | Style      | Part No.  |
|--------------|-----------------|--------------|--------------------|------------|-----------|
| 59, 59A, 59B | Gold            | Nickel       | Polymethyl-pentene | Commercial | 5414265-3 |

**Right-Angle Plugs, Crimp**

**Single Crimp**



**Hex and O Crimp**

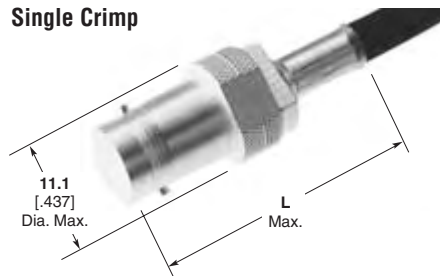


| RG/U Cable                                      | Termination Type | Center Contact Plating | Body Plating | Dielectric         | Style      | Dim. L         | CERTI-CRIMP Hand Tool with Integral Die | Interchangeable Dies for PRO-CRIMPER Hand Tool 354940-1 or PRO-CRIMPER Adapter 679304-1 | Interchangeable Dies for Hand Tool 69710-1 & 626 Pneu. Head 318161-1 | Part No.  |
|---|------------------|------------------------|--------------|--------------------|------------|----------------|---|---|--|-----------|
| 174, 188, 188A, 316                             | Hex Crimp        | Gold                   | Nickel       | Polymethyl-pentene | Commercial | 39.45<br>1.553 | —                                       | 58436-3   | —  | 5413959-3 |
|   | Single Crimp     | Gold                   | Silver       | TEFLON             | MIL Type   | 44.45<br>1.750 | —                                       | 91910-1   | 69422  | 5331178   |
| 179, 179A, 179B, 161, 187, 187A, BELDEN 9221    | Hex Crimp        | Gold                   | Nickel       | Polymethyl-pentene | Commercial | 39.45<br>1.553 | —                                       | 58436-3   | —  | 5413959-4 |
| 180, 180A, 180B, 195, 195A                      | Hex Crimp        | Gold                   | Nickel       | Polymethyl-pentene | Commercial | 39.45<br>1.553 | —                                       | 58436-3   | —  | 5413959-5 |
| BELDEN 9907, 89907, 8219, COMM/SCOPE 2104, 3104 | Hex Crimp        | Gold                   | Nickel       | Polymethyl-pentene | Commercial | 39.45<br>1.553 | —                                       | 58436-1   | —  | 5413959-6 |
| 58, 58A, 58B, 58C                               | Hex Crimp        | Gold                   | Nickel       | Polymethyl-pentene | Commercial | 39.45<br>1.553 | —                                       | 58436-1   | —  | 5413959-1 |
|   | O Crimp          | Gold                   | Nickel       | TEFLON             | MIL Type   | 37.29<br>1.468 | 69478-1                                 | 220189-3  | 69727-1  | 5225974-1 |
| 55, 55A, 55B, 223                               | Single Crimp     | Gold                   | Silver       | TEFLON             | MIL Type   | 44.45<br>1.750 | —                                       | 91904-1   | 69223-1  | 5331175   |
|   | O Crimp          | Gold                   | Nickel       | TEFLON             | MIL Type   | 37.29<br>1.468 | 69478-1                                 | 220189-3  | 69727-1  | 5225974-2 |
| 142, 142A, 142B, 400                            | Single Crimp     | Gold                   | Silver       | TEFLON             | MIL Type   | 44.45<br>1.750 | 69331-1                                 | —   | 69429-1  | 5331182   |
|   | O Crimp          | Gold                   | Nickel       | TEFLON             | MIL Type   | 37.29<br>1.468 | —                                       | 58537-1   | 69669-1  | 5225974-5 |

BELDEN is a trademark of Belden Wire and Cable Company.  
 COMM/SCOPE is a trademark of Commscope, Inc.  
 TEFLON is a trademark of E.I. DuPont de Nemours and Company.

**Note:** Part Numbers are RoHS compliant except: ♦ Indicates non-RoHS compliant.

**BNC Connectors, 50 Ohm** (Continued)

**Jacks, Crimp**
**Single Crimp**

**Hex and O Crimp**


| RG/U Cable   | Termination Type | Center Contact Plating | Body Plating | Dielectric         | Style      | Dim. L                | CERTI-CRIMP Hand Tool with Integral Die | Interchangeable Dies for PRO-CRIMPER Hand Tool 354940-1 or PRO-CRIMPER Adapter 679304-1 | Interchangeable Dies for Hand Tool 69710-1 & 626 Pneu. Head 318161-1 | Part No.           |
|--|------------------|------------------------|--------------|--------------------|------------|-----------------------|---|---|--|--------------------|
| 174, 188, 188A, 316  | Hex Crimp        | Gold                   | Nickel       | Polymethyl-pentene | Commercial | <b>33.02</b><br>1.300 | —                                       | 58436-3   | —  | <b>5413779-3</b>   |
|  | O Crimp          | Gold                   | Nickel       | Polypropylene      | Commercial | <b>30.48</b><br>1.200 | —                                       | 1424050-1   | 220217-3   | <b>5228979-7</b>   |
|  | O Crimp          | Gold                   | Nickel       | TEFLON             | MIL Type   | <b>30.48</b><br>1.200 | —                                       | 1424050-1   | 220026-1   | <b>5225396-7</b>   |
|  | Single Crimp     | Gold                   | Silver       | TEFLON             | MIL Type   | <b>33.33</b><br>1.312 | —                                       | —   | 69422  | <b>2-5330062-1</b> |
| 179, 179A, 179B, 161, 187, 187A, BELDEN 9221                       | Hex Crimp        | Gold                   | Nickel       | Polymethyl-pentene | Commercial | <b>33.02</b><br>1.300 | —                                       | 58436-3   | —  | <b>2-5413779-4</b> |
| 58, 58A, 58B, 58C  | O Crimp          | Gold                   | Nickel       | Polypropylene      | Commercial | <b>30.48</b><br>1.200 | 220187-1                                | 58435-1 <sup>1</sup>  | 220217-1   | <b>5228979-5</b>   |
|  | O Crimp          | Gold                   | Nickel       | TEFLON             | MIL Type   | <b>30.48</b><br>1.200 | —                                       | 91901-1   | 69727  | <b>5225396-1</b>   |
| 223, 55, 55A, 55B  | Single Crimp     | Gold                   | Silver       | TEFLON             | MIL Type   | <b>33.33</b><br>1.312 | 69140-2                                 | 91904-3   | 69424  | <b>2-5329452-2</b> |
| 124, 140, 210, 62, 62A, 62B, 59, 59A, 59B, BELDEN 9291, 9209, 9269 | O Crimp          | Gold                   | Nickel       | Polypropylene      | Commercial | <b>30.48</b><br>1.200 | 220187-2                                | 58435-1 <sup>1</sup>  | 220217-2   | <b>5228979-6</b>   |
|  | O Crimp          | Gold                   | Nickel       | TEFLON             | MIL Type   | <b>30.48</b><br>1.200 | —                                       | 58537-1   | 69669-1  | <b>5225396-2</b>   |

<sup>1</sup>Order Tyco Electronics PRO-CRIMPER Coaxial "O" Crimp Hand Tool assembly 58433-1, which includes dies 58435-1.

BELDEN is a trademark of Belden Wire and Cable Company.  
TEFLON is a trademark of E.I. Dupont de Nemours and Company.

**Note:** Part Numbers are RoHS compliant except: ♦ Indicates non-RoHS compliant.



## BNC Connectors, 50 Ohm (Continued)

### Jacks, Twist-On

#### Related Product Data

Twist-on jacks must be used with cable that has a solid conductor. These jacks are not recommended for applications where the cable frequently moves or flexes.

**Mating Twist-On Plug** — Page 50



| RG/U Cable   | Center Contact | Body Plating | Dielectric | Style      | Part No. |
|--------------|----------------|--------------|------------|------------|----------|
| 59, 59A, 59B | Gold           | Nickel       | Acetal     | Commercial | 222428-1 |

### Panel Jacks, Crimp



**Recommended Panel Cutout**

| RG/U Cable  | Termination Type | Center Contact Plating | Body Plating | Dielectric | Style    | CERTI-CRIMP Hand Tool with Integral Die | Interchangeable Dies for PRO-CRIMPER Hand Tool 354940-1 or PRO-CRIMPER Adapter 679304-1 | Interchangeable Dies for Hand Tool 69710-1 & 626 Pneu. Head 318161-1 | Part No.  |
|---|------------------|------------------------|--------------|------------|----------|---|---|--|-----------|
| 174, 188, 188A, 316   | O Crimp          | Gold                   | Nickel       | TEFLON     | MIL Type | —                                       | 1424050-1   | 220026-1   | 5225397-7 |
| 58, 58A, 58B, 58C   | O Crimp          | Gold                   | Nickel       | TEFLON     | MIL Type | 69478-1                                 | 91901-1   | 69727  | 5225397-1 |
| 124, 140, 210, 62, 62A, 62B, 59, 59A, 59B, BELDEN 9291, 9209, 9269, 89269 | O Crimp          | Gold                   | Nickel       | TEFLON     | MIL Type | 69477-1                                 | 58537-1   | 69669-1  | 5225397-2 |

BELDEN is a trademark of Belden Wire and Cable Company.

TEFLON is a trademark of E.I. Dupont de Nemours and Company.

**Note:** Part Numbers are RoHS compliant except: ♦ Indicates non-RoHS compliant.

**BNC Connectors, 50 Ohm (Continued)**

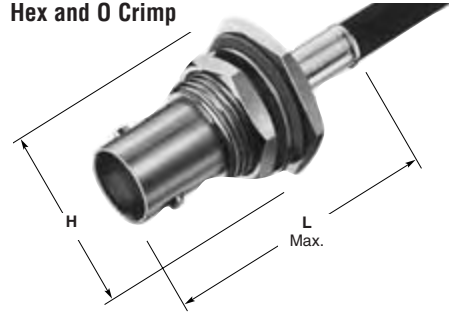
**Bulkhead Jacks, Crimp**

**Note:** Panel Insulating Bushings — Page 54

**Single Crimp**



**Hex and O Crimp**



**Recommended Panel Cutouts**  
Maximum Panel Thickness 3.18 [.125]



H = 11/16" across flats, 20.32 [.800] Max. across points

| RG/U Cable                                   | Termination Type | Center Contact Plating | Body Plating | Dielectric         | Style      | Dim. L         | CERTI-CRIMP Hand Tool with Integral Die | Interchangeable Dies for PRO-CRIMPER Hand Tool 354940-1 or PRO-CRIMPER Adapter 679304-1 | Interchangeable Dies for Hand Tool 69710-1 & 626 Pneu. Head 318161-1 | Part No.    |
|--|------------------|------------------------|--------------|--------------------|------------|----------------|---|---|--|-------------|
| 174, 188, 188A, 316                          | Hex Crimp        | Gold                   | Nickel       | Polymethyl-pentene | Commercial | 36.83<br>1.450 | —                                       | 58436-3   | —  | 5413771-3   |
|  | O Crimp          | Gold                   | Nickel       | Polypropylene      | Commercial | 34.93<br>1.375 | —                                       | —   | 220217-3   | 5228980-7   |
|  | O Crimp          | Gold                   | Nickel       | TEFLON             | MIL Type   | 35.71<br>1.406 | —                                       | —   | 220026-1   | 5225398-7   |
|  | Single Crimp     | Gold                   | Silver       | TEFLON             | MIL Type   | 32.13<br>1.265 | —                                       | —   | 69422  | 2-5330063-1 |
| 179, 179A, 179B, 161, 187, 187A, BELDEN 9221 | O Crimp          | Gold                   | Nickel       | TEFLON             | MIL Type   | 35.71<br>1.406 | —                                       | 1424050-1   | 220026-1   | 5225398-8   |
|  | Single Crimp     | Gold                   | Silver       | TEFLON             | MIL Type   | 32.13<br>1.265 | —                                       | 91910-1   | 69408  | 2-5329458-1 |
| Times RD316                                  | O Crimp          | Gold                   | Nickel       | TEFLON             | MIL Type   | 35.71<br>1.406 | —                                       | 91904-1   | 69669-2  | 1-5225398-5 |

BELDEN is a trademark of Belden Wire and Cable Company.  
TEFLON is a trademark of E.I. Dupont de Nemours and Company.

**Note:** Part Numbers are RoHS compliant except: ♦ Indicates non-RoHS compliant.

**BNC Connectors, 50 Ohm (Continued)**

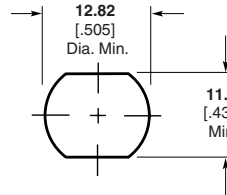
**Bulkhead Jacks, Crimp (Continued)**

**Note:** Panel Insulating Bushings—  
at the bottom of this page

**Single Crimp**



**Recommended Panel Cutouts**  
Maximum Panel Thickness 3.18 [ .125]



**Hex and O Crimp**



H = 11/16" across flats, 20.32 [.800] Max. across points

| RG/U Cable   | Termination Type | Center Contact Plating | Body Plating | Dielectric         | Style      | Dim. L         | CERT-CRIMP Hand Tool with Integral Die | Interchangeable Dies for PRO-CRIMPER Hand Tool 354940-1 or PRO-CRIMPER Adapter 679304-1 | Interchangeable Dies for Hand Tool 69710-1 & 626 Pneu. Head 318161-1 | Part No.    |
|--|------------------|------------------------|--------------|--------------------|------------|----------------|--|---|--|-------------|
| 58, 58A, 58B, 58C, BELDEN 88240, BERK-TEK BTDC-58, COMM/SCOPE 2135 | Hex Crimp        | Gold                   | Nickel       | Polymethyl-pentene | Commercial | 36.83<br>1.450 | —                                      | 58436-1   | —  | 5413771-1   |
| 58, 58A, 58B, 58C  | O Crimp          | Gold                   | Nickel       | Polypropylene      | Commercial | 34.93<br>1.375 | 220187-1                               | 58435-11  | 220217-1   | 5228980-5   |
|  | O Crimp          | Gold                   | Nickel       | TEFLON             | MIL Type   | 41.28<br>1.625 | —                                      | 91901-1   | 69727  | 5225398-1   |
|  | Single Crimp     | Gold                   | Silver       | TEFLON             | MIL Type   | 32.13<br>1.265 | —                                      | 91904-4   | 69223-1  | 2-5329456-1 |
| 223, 55, 55A, 55B  | O Crimp          | Gold                   | Nickel       | TEFLON             | MIL Type   | 35.71<br>1.406 | —                                      | 91901-1   | 69727  | 5225398-3   |
| 142, 142A, 142B, 400   | O Crimp          | Gold                   | Nickel       | TEFLON             | MIL Type   | 35.71<br>1.406 | —                                      | 91901-1   | 69727  | 5225398-6   |
| 124, 140, 210, 62, 62A, 62B, 59, 59A, 59B, BELDEN 9291, 9209, 9269 | O Crimp          | Gold                   | Nickel       | Polypropylene      | Commercial | 34.93<br>1.375 | 220187-2                               | 58435-11  | 220217-2   | 5228980-6   |

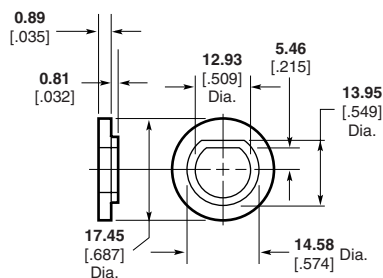
†Order Tyco Electronics PRO-CRIMPER Coaxial "O" Crimp Hand Tool assembly 58433-1, which includes dies 58435-1.

**Panel Insulating Bushings for Bulkhead Jacks**

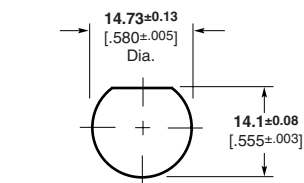
**Material** — Nylon

**Note:** Can not be used with single crimp bulkhead jacks.

BELDEN is a trademark of Belden Wire and Cable Company.  
BERK-TEK is a trademark of Nexans, Inc.  
COMM/SCOPE is a trademark of Commscope, Inc.  
TEFLON is a trademark of E.I. Dupont de Nemours and Company.



**Part No. 330620 (2 Required)**



**Recommended Panel Cutout**

**Note:** Part Numbers are RoHS compliant except: ♦ Indicates non-RoHS compliant.

**BNC Connectors, 50 Ohm (Continued)**

**Plugs, for JIS Cables, Crimp**

**Plating**

**Body** — Nickel

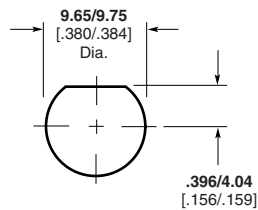
**Center Contact** — Gold



| JIS Cable | Termination Type | Dielectric   | Dim. L         | Interchangeable Dies for PRO-CRIMPER Hand Tool 354940-1 or PRO-CRIMPER Adapter 679304-1 | Part No.    |
|-----------|------------------|--------------|----------------|---|-------------|
| 3D-2V     | Hex Crimp        | Polyethylene | 33.53<br>1.320 | 58436-1   | 3-5221128-1 |

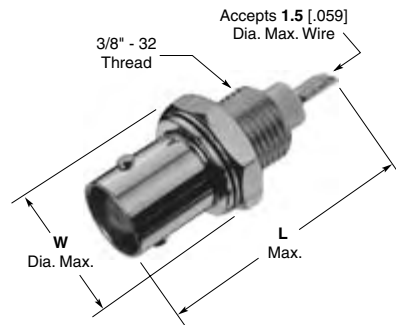
**Bulkhead Solder Jacks, Front Mount**

**Body Plating** — Nickel

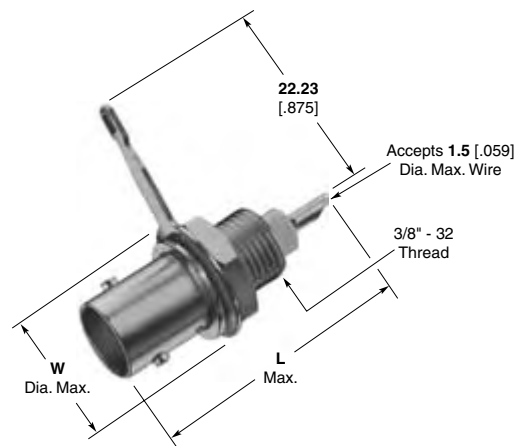


**Recommended Panel Cutout**

**Without Solder Terminal**



**With Solder Terminal**



| Contact Material | Dielectric | Dimensions |                        | Panel Thickness         | Insulating Bushing      | Part No.                 |                        |
|------------------|------------|------------|------------------------|-------------------------|-------------------------|--------------------------|------------------------|
|                  |            | L          | W                      |                         |                         | Without Solder Terminal* | With Solder Terminal** |
| Silver           | VALOX      | 26.93      | 13.09                  | 1.17-3.18<br>.046-.125  | 227223-1 or<br>221951-1 | 5227754-3                | 5227755-3              |
|                  |            | 1.060      | .515                   |                         |                         |                          |                        |
| Gold             | VALOX      | 33.33      | 13.09                  | 1.17-6.35<br>.046-.250  | 227223-1 or<br>221951-1 | —                        | 5227169-7              |
|                  |            | 1.312      | .515                   |                         |                         |                          |                        |
|                  | TEFLON     | 26.93      | 13.09                  | 1.17-3.18<br>.046-.125  | 227223-1 or<br>221951-1 | 5227754-2                | 5227755-2              |
|                  |            | 1.060      | .515                   |                         |                         |                          |                        |
| TEFLON           | 33.33      | 13.09      | 1.17-6.35<br>.046-.250 | 227223-1 or<br>221951-1 | 5227169-4               | 5227169-8                |                        |
|                  | 1.312      | .515       |                        |                         |                         |                          |                        |
| Tin              | VALOX      | 26.93      | 13.09                  | 1.17-3.18<br>.046-.125  | 227223-1 or<br>221951-1 | 5227715-3                | 5227716-3              |
|                  |            | 1.060      | .515                   |                         |                         |                          |                        |
| VALOX            | 33.33      | 13.09      | 1.17-6.35<br>.046-.250 | 227223-1 or<br>221951-1 | —                       | 5227169-5                |                        |
|                  | 1.312      | .515       |                        |                         |                         |                          |                        |
| VALOX            | 26.93      | 13.09      | 1.17-3.18<br>.046-.125 | 227223-1 or<br>221951-1 | 5227754-1               | 5227755-1                |                        |
|                  | 1.060      | .515       |                        |                         |                         |                          |                        |

\*Includes lockwasher and jam nut.

\*\*Includes solder terminal and jam nut.

TEFLON is a trademark of E.I. Dupont de Nemours and Company.

VALOX is a trademark of General Electric Company.

**Note:** Part Numbers are RoHS compliant except: ♦ Indicates non-RoHS compliant.

**BNC Connectors, 50 Ohm (Continued)**

**Insulating Bushings**



**Part No. 227223-1**



**Recommended Panel Cutout**



**Part No. 221951-1**



**Recommended Panel Cutout**

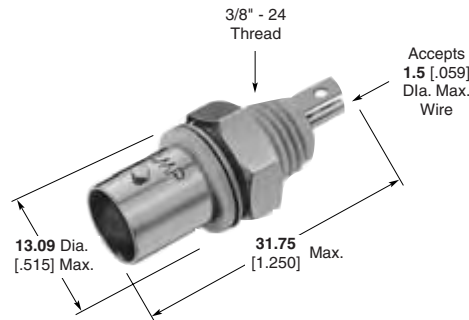
**Isolated Bulkhead Solder Jacks, Front Mount**

**Plating**

**Body** — Nickel

**Dielectric** — White VALOX

| Center Contact Plating | Flange & Thread Material | Part No.         |
|------------------------|--------------------------|------------------|
| Tin                    | VALOX                    | <b>5227726-1</b> |
| Silver                 | VALOX                    | <b>5227726-2</b> |
| Gold                   | VALOX                    | <b>5227726-3</b> |



**Recommended Panel Cutout**

**Plating**

**Body** — Nickel

**Center Contact** — Silver

**Dielectric** — Black VALOX

**Flange & Thread Material** — Black VALOX



**Part No. 5414194-1**



**Recommended Panel Cutout**

**Sealed Bulkhead Solder Jack, Rear Mount**

**Plating**

**Body** — Nickel

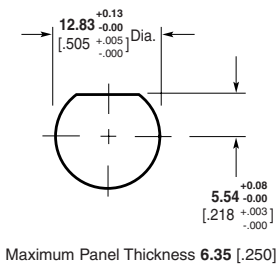
**Center Contact** — Gold

**Dielectric** — Polymethylpentene

This connector is designed to prevent moisture from entering the interface from the rear of the connector.



**Part No. 5227426-1**



**Recommended Panel Cutout**

**Note:** Part Numbers are RoHS compliant except: ♦ Indicates non-RoHS compliant.

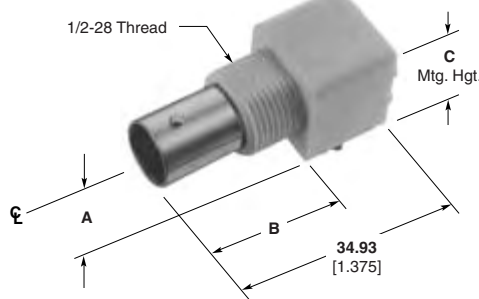
VALOX is a trademark of General Electric Company.

**BNC Connectors, 50 Ohm (Continued)**

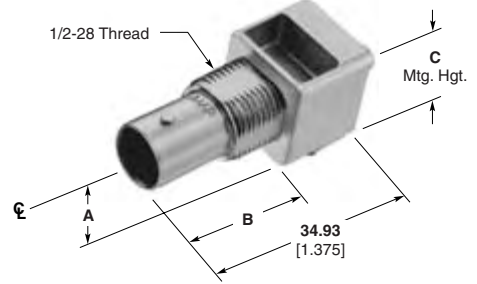
**Right-Angle Jacks  
PC Board/Panel Mount**

**Body** — Nickel  
**Dielectric** — Polymethylpentene

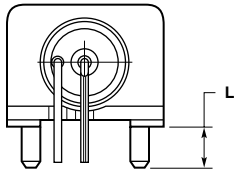
**VALOX Body**



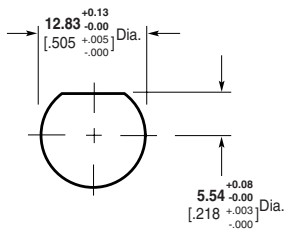
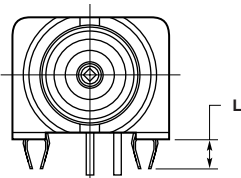
**Metal Body**



**Mounting Post Style**



**Compliant Post**



Maximum Panel Thickness 6.1 [240]

**Recommended Panel Cutout**

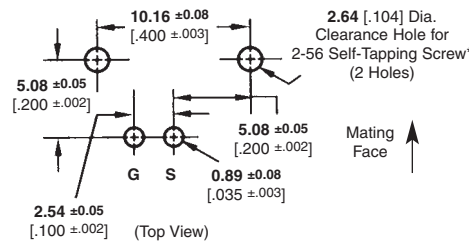
**Lockwasher and Jam Nut**



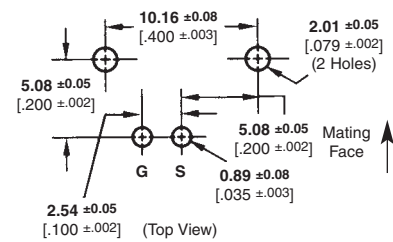
**Part No.**  
1-329632-2

**Part No.**  
1-329631-2

**Without Mounting Posts**



**With Mounting Posts**



**Recommended PC Board Layouts**

| Body Material      | Center Contact Plating | Dimensions   |               |               | Part No.               |                     |              |                      |              |
|--------------------|------------------------|--------------|---------------|---------------|------------------------|---------------------|--------------|----------------------|--------------|
|                    |                        | A            | B             | C             | Without Mounting Posts | With Mounting Posts | L            | With Compliant Posts | L            |
| VALOX, White       | Tin                    | 8.59<br>.338 | 21.21<br>.835 | 15.88<br>.625 | 5226990-1              | 5227161-1           | 3.48<br>.137 | —                    | —            |
|                    | Gold1                  | 8.59<br>.338 | 21.21<br>.835 | 15.88<br>.625 | 5226990-3              | 5227161-3           | 3.48<br>.137 | —                    | —            |
|                    | Gold1                  | 6.91<br>.272 | 21.21<br>.835 | 13.18<br>.519 | —                      | 5227161-7           | 3.48<br>.137 | —                    | —            |
| VALOX, Black       | Tin                    | 8.59<br>.338 | 21.21<br>.835 | 15.88<br>.625 | —                      | 5227161-2           | 3.48<br>.137 | —                    | —            |
|                    | Gold1                  | 8.59<br>.338 | 21.21<br>.835 | 15.88<br>.625 | 5226990-6              | 5227161-6           | 3.48<br>.137 | —                    | —            |
|                    | Gold1                  | 6.91<br>.272 | 21.21<br>.835 | 13.18<br>.519 | —                      | 5227161-9           | 3.48<br>.137 | —                    | —            |
| Metal              | Gold1                  | 6.17<br>.243 | 21.21<br>.835 | 11.68<br>.460 | —                      | 5415046-1           | —            | —                    | —            |
|                    | Tin                    | 8.26<br>.325 | 20.83<br>.820 | 15.88<br>.625 | —                      | 5227661-1           | 3.48<br>.137 | —                    | —            |
|                    | Gold1                  | 8.26<br>.325 | 20.83<br>.820 | 15.88<br>.625 | 5227676-1              | 5227677-1           | 3.48<br>.137 | —                    | —            |
|                    | Gold1                  | 6.91<br>.272 | 20.83<br>.820 | 12.70<br>.500 | 1274668-1              | 5413879-1           | 3.48<br>.137 | —                    | —            |
|                    | Gold2                  | 6.91<br>.272 | 20.83<br>.820 | 12.70<br>.500 | —                      | 5413879-2           | 3.48<br>.137 | —                    | —            |
| High Temp. Housing | Gold1                  | 6.91<br>.272 | 21.21<br>.835 | 13.18<br>.519 | —                      | —                   | —            | 5415218-5            | 2.79<br>.110 |

**Plating:**

Gold1 — 0.00076 [0.000030] thick

Gold2 — 0.00127 [0.000050] thick

**Note:** If an Insulating Bushing is required see part number 330620 and Panel Cutout on page 54.

VALOX is a trademark of General Electric Company.

**Note:** Part Numbers are RoHS compliant except: ♦ Indicates non-RoHS compliant.



**BNC Connectors, 50 Ohm (Continued)**

**Vertical Jacks  
PC Board/Panel Mount**

**Plating**  
**Body** — Nickel  
**Dielectric** — Polymethylpentene



Maximum Panel Thickness 6.1 [.240]

**Recommended Panel Cutout**

**Lockwasher and Jam Nut**



Part No.  
1-329632-2

Part No.  
1-329631-2

**VALOX Body**



**Metal Body**



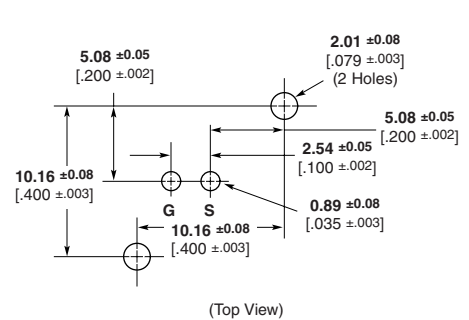
| Body Material | Center Contact Plating | Dim. B        | Dim. L       | Part No.               |                     |
|---------------|------------------------|---------------|--------------|------------------------|---------------------|
|               |                        |               |              | Without Mounting Posts | With Mounting Posts |
| VALOX, White  | Tin                    | 21.21<br>.835 | 3.48<br>.137 | 5226993-1              | 5227222-1           |
|               | Gold                   | 21.21<br>.835 | 3.48<br>.137 | 5226993-3              | 5227222-3           |
| VALOX, Black  | Tin                    | 21.21<br>.835 | 3.48<br>.137 | 5226993-2              | 5227222-2           |
|               | Gold                   | 21.21<br>.835 | 3.48<br>.137 | 5226993-6              | 5227222-6           |
| Metal         | Tin                    | 20.83<br>.820 | 3.48<br>.137 | —                      | 5227671-1           |
|               | Gold                   | 20.83<br>.820 | 3.48<br>.137 | —                      | 5227673-1           |

**Note:** If an Insulating Bushing is required see part number 330620 and Panel Cutout on page 54.

**Without Mounting Posts**



**With Mounting Posts**



**Recommended PC Board Layouts**

\* Screw for board thickness of 2.38 [.093] or greater **Part No. 221108-2**.  
Screw for thickness of less than 2.38 [.093] **Part No. 221108-4**.

VALOX is a trademark of General Electric Company.

**Note:** Part Numbers are RoHS compliant except: ♦ Indicates non-RoHS compliant.

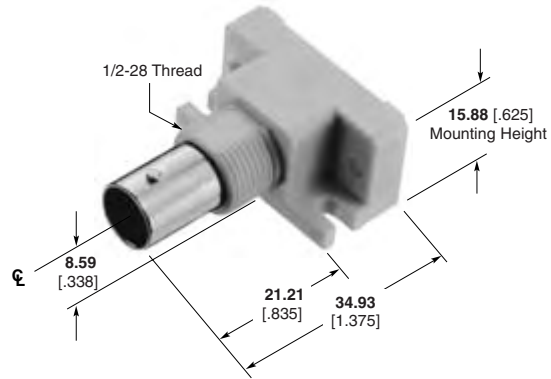
**BNC Connectors, 50 Ohm (Continued)**

**Jacks with  
Mounting Flanges  
PC Board/Panel Mount**



Maximum Panel Thickness 6.1 [.240]

**Recommended Panel Cutout**



| Body Material | Center Contact Plating | Part No.  |
|---------------|------------------------|-----------|
| VALOX, White  | Tin                    | 5226978-1 |
|               | Gold                   | 5226978-3 |

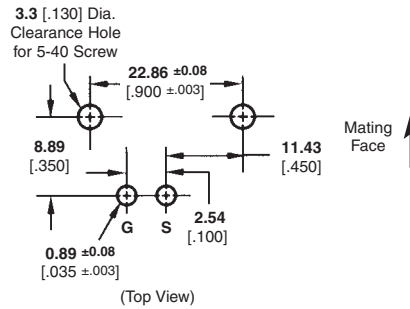
**Lockwasher and Jam Nut**



Part No.  
1-329632-2



Part No.  
1-329631-2



**Recommended PC Board Layout**

VALOX is a trademark of General Electric Company.

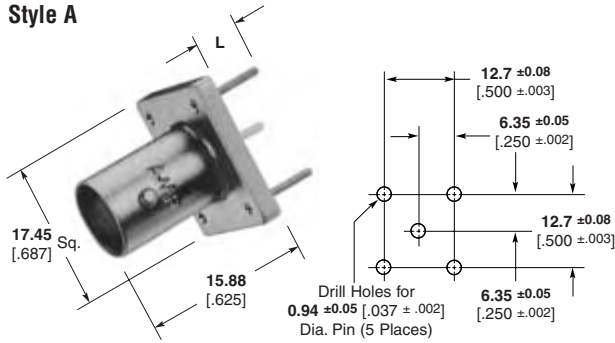
**Note:** Part Numbers are RoHS compliant except: ♦ Indicates non-RoHS compliant.

**BNC Connectors, 50 Ohm (Continued)**

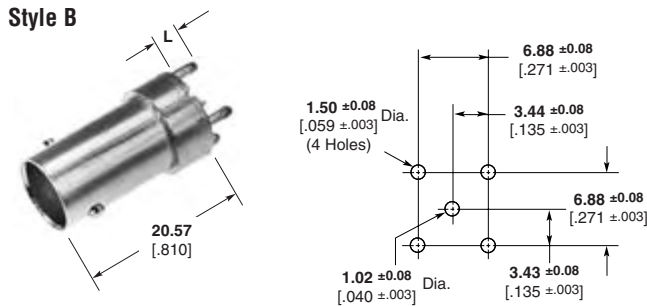
**Vertical Metalized Jacks  
PC Board Mount**

**Recommended PC Board Layouts**

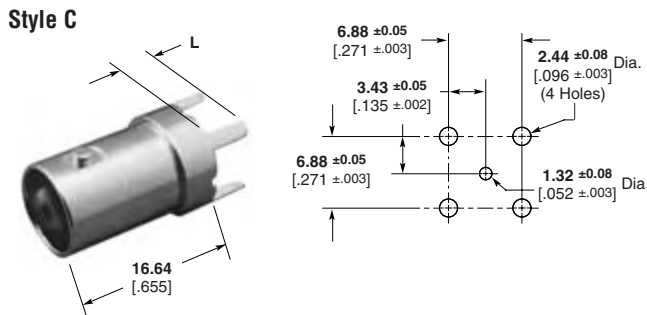
**Style A**



**Style B**



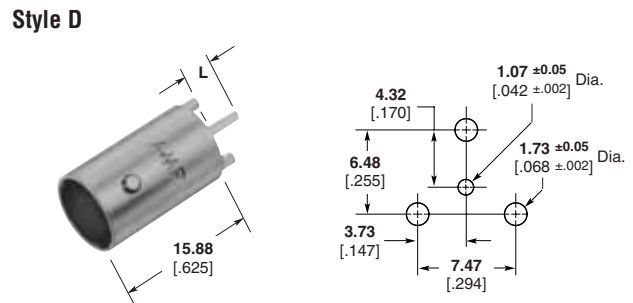
**Style C**



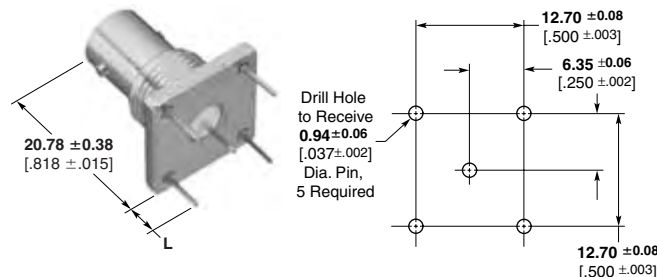
| Body Plating | Center Contact Plating | Dielectric | Style | Leg Length L | Part No.               |
|--------------|------------------------|------------|-------|--------------|------------------------|
|              | Silver                 | VALOX      | A     | 6.35<br>.250 | 5227699-1              |
|              | Gold                   | VALOX      | A     | 6.35<br>.250 | 5227699-2              |
|              | Tin                    | VALOX      | A     | 6.35<br>.250 | 5227699-3              |
| Nickel       | Gold                   | VALOX      | A     | 3.81<br>.150 | 5414460-1 <sup>1</sup> |
|              | Silver                 | VALOX      | C     | 4.45<br>.175 | 5222420-1              |
|              | Gold                   | VALOX      | E     | 6.35<br>.250 | 5415189-1              |
|              | Gold                   | TEFLON     | B     | 3.30<br>.130 | 5413969-2              |
| Tin-Lead     | Silver                 | VALOX      | C     | 3.18<br>.125 | 5414305-1              |
|              | Gold                   | VALOX      | D     | 3.43<br>.135 | 5221123-2              |

<sup>1</sup>With .76 [0.030] standoffs on top of legs.

**Style D**



**Style E (Panel Mount)**

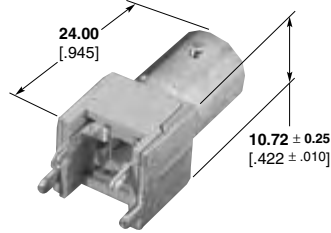


TEFLON is a trademark of E.I. Dupont de Nemours and Company.  
VALOX is a trademark of General Electric Company.

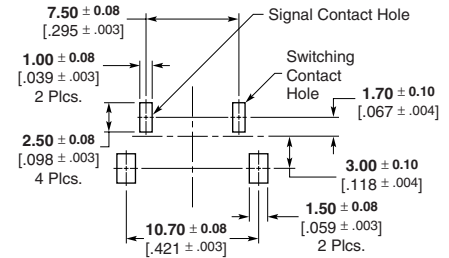
**Note:** Part Numbers are RoHS compliant except: ♦ Indicates non-RoHS compliant.

**BNC Connectors, 50 Ohm (Continued)**

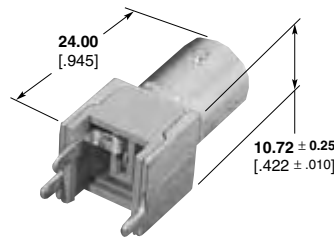
**Vertical Metalized Jacks,  
PC Board Mount**



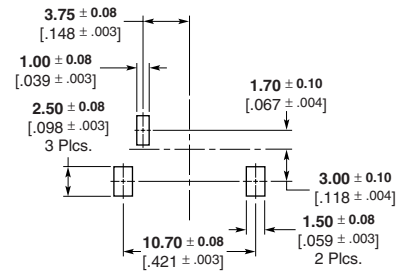
**Part No. 1274314-1  
(Switching)**



**Recommended  
PC Board Layout**



**Part No. 1274315-1**



**Recommended  
PC Board Layout**

| Body Plating | Contact Plating | Dielectric    | Part No.         |
|--------------|-----------------|---------------|------------------|
| Tin          | Silver          | Polyphenylene | <b>6274314-1</b> |
| Tin          | Silver          | Polyphenylene | <b>6274315-1</b> |

**Press Fit Vertical Metalized Jack,  
PC Board Mount**



**Part No. 5222006-1**

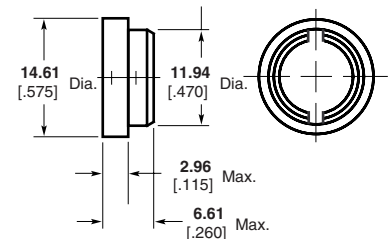


**Recommended PC Board Layout**  
PC Board Thickness Not Less Than 0.99 [0.093]

**Insulating Bushing**

**Material** — Polypropylene  
**Part No. 222163-1**

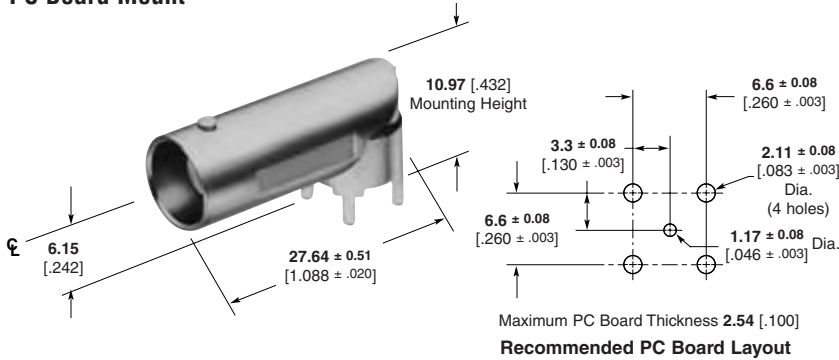
Only to be used on Part Nos. 5222006-1 & 5222462-1



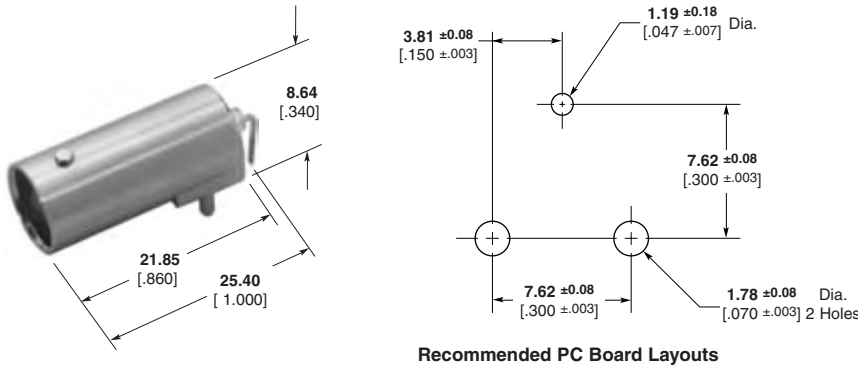
**Note:** Part Numbers are RoHS compliant except: ♦ Indicates non-RoHS compliant.

**BNC Connectors, 50 Ohm (Continued)**

**Right-Angle Metalized Jacks, PC Board Mount**

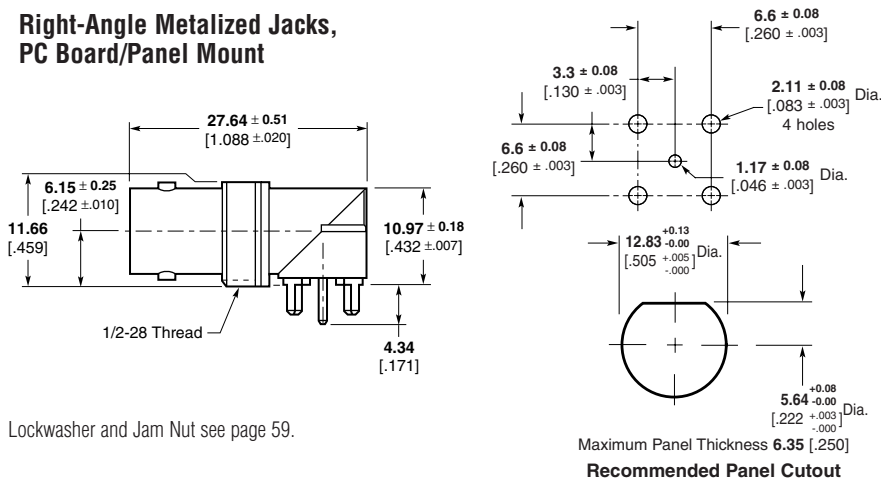


| Body Plating | Dielectric         | Center Contact Length | Part No.  |
|--------------|--------------------|-----------------------|-----------|
| Nickel       | Polymethyl-pentene | 4.34 .171             | 5413631-1 |
| Tin          | TEFLON             | 4.34 .171             | 5413631-2 |
| Nickel       | Polymethyl-pentene | 3.33 .131             | 5413631-3 |



| Body   | Dielectric | Contact | Part No.  |
|--------|------------|---------|-----------|
| Nickel | TPX        | Gold    | 5414373-1 |

**Right-Angle Metalized Jacks, PC Board/Panel Mount**



| Body Plating | Dielectric | Part No.  |
|--------------|------------|-----------|
| Tin          | TEFLON     | 5415025-2 |
| Tin          | TPX        | 5415025-1 |

Lockwasher and Jam Nut see page 59.

TEFLON is a trademark of E.I. Dupont de Nemours and Company.  
 TPX is a trademark of Mitsui Chemicals America, Inc.

**Note:** Part Numbers are RoHS compliant except: ♦ Indicates non-RoHS compliant.

**BNC Connectors, 50 Ohm (Continued)**

**Tee Adapters**



| Style | Body Material and Plating | Center Contact Material and Plating | Dielectric | Dimensions     |                |               | Comparable UG/U Connector | Packaging No. Per Pkg.      | Part No.    |
|-------|---------------------------|-------------------------------------|------------|----------------|----------------|---------------|---------------------------|-----------------------------|-------------|
|       |                           |                                     |            | D              | E              | F             |                           |                             |             |
| A     | Brass, Nickel             | BE CU, Gold (30) <sup>2</sup>       | TEFLON     | 32.54<br>1.281 | 26.19<br>1.031 | 14.27<br>.562 | 274A                      | Bulk (100)                  | 221543-2    |
|       |                           | PH BR, Gold (15) <sup>2</sup>       | Acetal     | 33.02<br>1.300 | 27.31<br>1.075 | 14.50<br>.571 | —                         | Bulk (100)                  | 5413592-2   |
|       | Zinc, Nickel              | BE CU, Gold (30) <sup>2</sup>       | Acetal     | 33.02<br>1.300 | 27.31<br>1.075 | 14.50<br>.571 | —                         | Bulk (100)                  | 5413592-6   |
|       |                           | PH BR, Gold (15) <sup>2</sup>       | Acetal     | 33.02<br>1.300 | 27.31<br>1.075 | 14.50<br>.571 | —                         | Individual (1) <sup>3</sup> | 5413592-9   |
|       |                           | BE CU, Silver (200) <sup>2</sup>    | Acetal     | 33.02<br>1.300 | 27.31<br>1.075 | 14.50<br>.571 | —                         | Individual (1)              | 1-5413592-1 |
| B     | Zinc, Nickel              | BE CU, Gold (30) <sup>2</sup>       | Acetal     | 32.54<br>1.281 | 31.12<br>1.225 | 17.15<br>.675 | —                         | Bulk (100)                  | 5413366-21  |
| C     | Brass, Nickel             | BE CU, Silver (200) <sup>2</sup>    | TEFLON     | 32.54<br>1.281 | 23.37<br>.920  | —             | —                         | Bulk (100)                  | 221988-1    |
|       | Zinc, Nickel              | PH BR, Gold (50) <sup>2</sup>       | Acetal     | 32.54<br>1.281 | 23.62<br>.930  | —             | —                         | Bulk (100)                  | 5414311-1   |

<sup>1</sup>Gray insulation cover  
<sup>2</sup>(Microinches min thickness)  
<sup>3</sup>(Special graphics)

**Tee Adapter Covers**

**Material** — Polypropylene, general purpose

| Color | Part No. |
|-------|----------|
| Black | 221586-1 |
| Ivory | 221586-3 |



TEFLON is a trademark of E.I. Dupont de Nemours and Company.

**Note:** Part Numbers are RoHS compliant except: ♦ Indicates non-RoHS compliant.



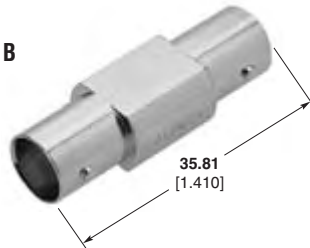
**BNC Connectors, 50 Ohm (Continued)**

**Jack-Jack Adapters**

**Style A**

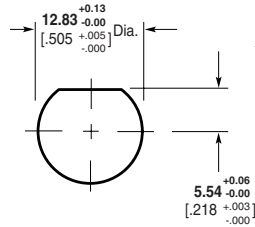


**Style B**



| Body Plating | Center Contact Plating | Dielectric        | Style | Part No.  |
|--------------|------------------------|-------------------|-------|-----------|
| Nickel       | Silver                 | TEFLON            | A     | 221551-1  |
| Nickel       | Gold                   | TEFLON            | A     | 221551-3  |
| Nickel       | Gold                   | Polymethylpentene | B     | 5414414-1 |

**Bulkhead Jack-Jack Adapters**



| Body Plating | Center Contact Plating | Dimensions    |                | Dielectric   | Part No.  |
|--------------|------------------------|---------------|----------------|--------------|-----------|
|              |                        | H             | L              |              |           |
| Nickel       | Silver                 | 17.45<br>.687 | 38.10<br>1.500 | TEFLON       | 330024    |
| Nickel       | Gold1                  | 17.78<br>.700 | 36.07<br>1.420 | Polyethylene | 5228226-1 |
| Nickel       | Gold2                  | 17.78<br>.700 | 36.07<br>1.420 | Polyethylene | 5228226-3 |

**Plating:**

Gold1—0.00127 [.000050] thick Gold2—0.00076 [.000015] thick

**Note:** If an Insulating Bushing is required see part number 330620 and Panel Cutout on page 54.

**Recommended Panel Cutout**

H= 11/16 across flats, 20.32 [.800] across points.

**Isolated Bulkhead Jack-Jack Adapter**

| Body Plating | Center Contact Plating | Dielectric        | Part No.  |
|--------------|------------------------|-------------------|-----------|
| Nickel       | Gold                   | Polymethylpentene | 5414105-1 |



**Recommended Panel Cutout**

H= 11/16 across flats, 20.32 [.800] across points.

**Plug-Plug Adapter**

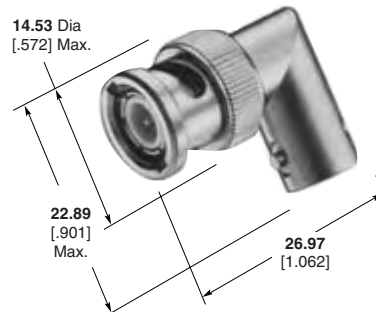


| Contact Plating | Body Plating | Part No. |
|-----------------|--------------|----------|
| Gold            | Nickel       | 415796-1 |

**Right-Angle Adapters**

(Jack-Plug)

| Body Plating | Center Contact Plating | Dielectric        | Part No.  |
|--------------|------------------------|-------------------|-----------|
| Nickel       | Silver                 | TEFLON            | 5329517   |
| Nickel       | Gold                   | TEFLON            | 5222165-2 |
| Nickel       | Gold                   | Polymethylpentene | 5414666-1 |



TEFLON is a trademark of E.I. Dupont de Nemours and Company.

**Note:** Part Numbers are RoHS compliant except: ♦ Indicates non-RoHS compliant.

**BNC Connectors, 50 Ohm (Continued)**

**Terminator Plugs**  
50, 75, 93 Ohm

**Plating**

**Body**—Nickel  
**Center Contact**—Gold  
**Dielectric**—Polyethylene



| Resistor Specification | Part No.                 |                |
|------------------------|--------------------------|----------------|
|                        | With Tether              | Without Tether |
| 1 Watt, 50 Ohm         | 5221629-1                | 5221629-4      |
| 1 Watt, 75 Ohm         | 5221629-2                | 5221629-5      |
| 1 Watt, 93 Ohm         | —                        | 5221629-6      |
| 0.5 Watt, 75 Ohm       | —                        | —              |
| 1 Watt, 50 Ohm         | 1-5221629-6 <sup>1</sup> | —              |

<sup>1</sup> Tether is conductive with #4 stud size

**Insulated Terminators**

**Insulation Material**  
Polyphenylene oxide

**Long Cover**



| Register Specification | Color | Cover Style | Part No.  |
|------------------------|-------|-------------|-----------|
| 1 Watt, 50 Ohm         | Gray  | Long        | 5413557-1 |
|                        |       | Short       | 5413364-2 |
|                        | Black | Long        | 5413557-2 |

\* The Short Cover is required when mating the Terminator with a Tee Adapter.

**Jack Covers**

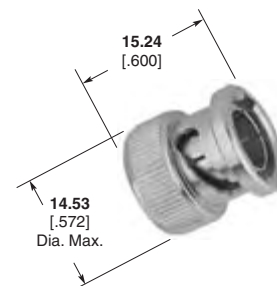
| Body Plating | Part No.   |
|--------------|------------|
| Silver       | 330022     |
| Nickel       | 1-330022-2 |



**Shorting Caps**

**Plating**

**Body**—Nickel  
**Center Contact**—Gold



**Part No. 413453-1**

**Note:** Part Numbers are RoHS compliant except: ♦ Indicates non-RoHS compliant.

## BNC Connectors, 75 Ohm

### Plugs, Crimp

These connectors have been designed for optimum performance and have a true 75 ohm impedance the complete length of the connector. The crimp die tooling listed below is different from the equivalent 50 ohm connectors.



### Plugs

| RG/U Cable  | Termination Type | Center Contact Plating | Body Plating | Dielectric   | Style      | Dim. L                | Interchangeable Dies for PRO-CRIMPER Hand Tool 354940-1 or PRO-CRIMPER Adapter 679304-1 | Interchangeable Dies for Hand Tool 69710-1 & 626 Pneu. Head 318161-1 | Part No.           |
|---|------------------|------------------------|--------------|--------------|------------|-----------------------|---|--|--------------------|
| 179, 179A, 179B, 187, 187A, 161, BELDEN 9221  | Hex Crimp        | Gold                   | Nickel       | Polyethelene | Commercial | <b>29.46</b><br>1.160 | 58425-2   | —  | <b>5413589-8</b>   |
|   | O Crimp          | Gold                   | Nickel       | Polyethelene | Commercial | <b>35.56</b><br>1.140 | 318451-2  | —  | <b>5221185-8</b>   |
| AT&T 735A   | Hex Crimp        | Gold                   | Nickel       | Polyethelene | Commercial | <b>29.46</b><br>1.160 | 58425-2   | —  | <b>1-5413589-0</b> |
|   | O Crimp          | Gold                   | Nickel       | Polyethelene | Commercial | <b>27.69</b><br>1.090 | 58174-1   | 58248-3  | <b>1-5221185-8</b> |
| BELDEN 8218   | Hex Crimp        | Gold                   | Nickel       | Polyethelene | Commercial | <b>29.46</b><br>1.160 | 58425-2   | —  | <b>5413589-3</b>   |
|   | O Crimp          | Gold                   | Nickel       | Polyethelene | Commercial | <b>27.69</b><br>1.090 | 58174-1   | 58248-3  | <b>5221185-3</b>   |
| 140, 210, 62, 62A, 62B, 59, 59A, 59B, BELDEN 9291, 9209, 9269                               | Hex Crimp        | Gold                   | Nickel       | Polyethelene | Commercial | <b>29.46</b><br>1.160 | 58425-1   | —  | <b>5413589-2</b>   |
|   | O Crimp          | Gold                   | Nickel       | Polyethelene | Commercial | <b>27.69</b><br>1.090 | 58536-1   | 58248-2  | <b>5221185-2</b>   |
| 302, BELDEN 89269, 88241, Hi-Temp 62A, Times PL-62, Berk Tek BTDC-59, BTDC-62               | Hex Crimp        | Gold                   | Nickel       | Polyethelene | Commercial | <b>29.46</b><br>1.160 | 58425-1   | —  | <b>5413589-1</b>   |
|   | O Crimp          | Gold                   | Nickel       | Polyethelene | Commercial | <b>27.69</b><br>1.090 | 58536-1   | 58248-2  | <b>5221185-9</b>   |
| BELDEN 8212, 9104, 9112, 9167, 9240, 9259, 9266, Times FM-59, (RG 59 Type with 20 AWG C.C.) | Hex Crimp        | Gold                   | Nickel       | Polyethelene | Commercial | <b>29.46</b><br>1.160 | 58425-1   | —  | <b>5413589-7</b>   |
|   | O Crimp          | Gold                   | Nickel       | Polyethelene | Commercial | <b>27.69</b><br>1.090 | 58536-1   | —  | <b>1-5221185-0</b> |
| BELDEN 9145, AT&T 734A  | Hex Crimp        | Gold                   | Nickel       | Polyethelene | Commercial | <b>29.46</b><br>1.160 | 58425-1   | —  | <b>5413589-7</b>   |
|   | O Crimp          | Gold                   | Nickel       | Polyethelene | Commercial | <b>27.69</b><br>1.090 | 58536-1   | —  | <b>1-5221185-0</b> |
| BELDEN 9248, 9114   | O Crimp          | Gold                   | Nickel       | Polyethelene | Commercial | <b>25.65</b><br>1.010 | 58536-1   | —  | <b>5221185-1</b>   |
| 6, 6A   | O Crimp          | Gold                   | Nickel       | Polyethelene | Commercial | <b>37.85</b><br>1.490 | 58538-1   | 58248-1  | <b>5221185-7</b>   |
| BELDEN 8281, 9141, 9231, Western Electric 724, 728, 3049                                    | Hex Crimp        | Gold                   | Nickel       | Polyethelene | Commercial | <b>29.46</b><br>1.160 | 58425-3   | —  | <b>5413589-5</b>   |
|   | O Crimp          | Gold                   | Nickel       | Polyethelene | Commercial | <b>28.45</b><br>1.120 | 58538-1   | 58248-1  | <b>5221185-5</b>   |
| COMM/SCOPE S59 Hec  | O Crimp          | Gold                   | Nickel       | Polyethelene | Commercial | <b>28.96</b><br>1.140 | 58536-1   | —  | <b>2-5221185-9</b> |
| COMM/SCOPE F59 Hec-z  | O Crimp          | Gold                   | Nickel       | Polyethelene | Commercial | <b>28.96</b><br>1.140 | 58536-1   | —  | <b>3-5221185-1</b> |

AT&T is a trademark of AT&T Corporation.  
 BELDEN is a trademark of Belden Wire and Cable Company.  
 COMM/SCOPE is a trademark of Commscope, Inc.

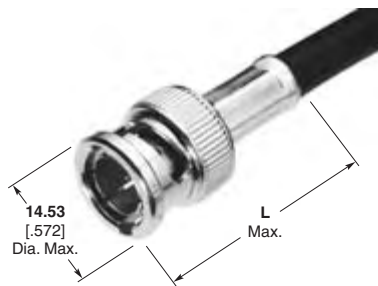
**Note:** Part Numbers are RoHS compliant except: ♦ Indicates non-RoHS compliant.

**BNC Connectors, 75 Ohm** (Continued)

**Plugs for JIS Cables, Crimp**

**Plating**

**Body** — Nickel  
**Center Contact** — Gold

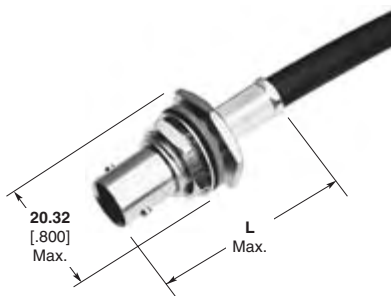


| JIS Cable | Termination Type | Dielectric        | Dim. L         | Interchangeable Dies for PRO-CRIMPER Hand Tool 354940-1 or PRO-CRIMPER Adapter 679304-1 | Part No.    |
|-----------|------------------|-------------------|----------------|---|-------------|
| 3C-2V     | Hex Crimp        | Polymethylpentene | 29.46<br>1.160 | 58425-1   | 1-5413589-1 |
| 2.5C-2V   | Hex Crimp        | Polymethylpentene | 29.46<br>1.160 | 58425-2   | 1-5413589-6 |

**Bulkhead Jacks for JIS Cables, Crimp**

**Plating**

**Body** — Nickel  
**Center Contact** — Gold  
**Dielectric** — Polymethylpentene



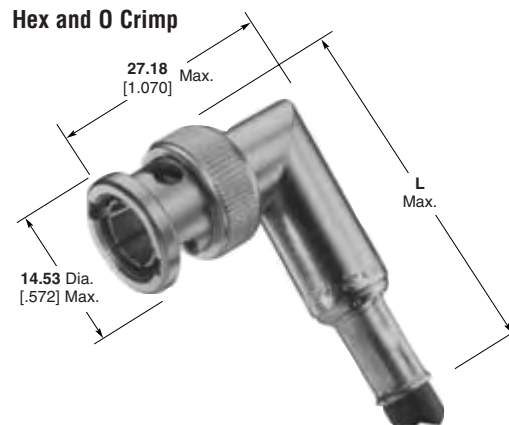
| JIS Cable | Termination Type | Dielectric | Dim. L         | Interchangeable Dies for PRO-CRIMPER Hand Tool 354940-1 or PRO-CRIMPER Adapter 679304-1 | Part No.   |
|-----------|------------------|------------|----------------|---|------------|
| 1.5C-2V   | Hex Crimp        | 75Ω        | 36.83<br>1.450 | 58425-2   | 5413590-4* |

\*Packaged in 100 pieces per bag.

**Note:** Part Numbers are RoHS compliant except: ♦ Indicates non-RoHS compliant.

**BNC Connectors, 75 Ohm (Continued)**

**Right-Angle Plugs, Crimp**



| RG/U Cable  | Termination Type | Center Contact Plating | Body Plating | Dielectric         | Style      | Dim. L                | Interchangeable Dies for PRO-CRIMPER Hand Tool 354940-1 or PRO-CRIMPER Adapter 679304-1 | Interchangeable Dies for Hand Tool 69710-1 & 626 Pneu. Head 318161-1 | Part No.           |
|---|------------------|------------------------|--------------|--------------------|------------|-----------------------|---|--|--------------------|
| 179, 179A, 179B, 187, 187A, 161<br>BELDEN 9221  | Hex Crimp        | Gold                   | Nickel       | Polymethyl-pentene | Commercial | <b>39.45</b><br>1.553 | 58425-2   | —  | <b>5413588-8</b>   |
| AT&T 735A   | Hex Crimp        | Gold                   | Nickel       | Polymethyl-pentene | Commercial | <b>39.45</b><br>1.553 | 58425-2   | —  | <b>1-5413588-0</b> |
| AT&T KS 19224 L2, RD179<br>Double Braid   | Hex Crimp        | Gold                   | Nickel       | Polymethyl-pentene | Commercial | <b>39.45</b><br>1.553 | 58425-2   | —  | <b>5413588-4</b>   |
| 140, 210, 62, 62A, 62B, 59, 59A, 59B,<br>BELDEN 9291, 9209, 9269                            | Hex Crimp        | Gold                   | Nickel       | Polymethyl-pentene | Commercial | <b>39.45</b><br>1.553 | 58425-1   | —  | <b>5413588-2</b>   |
|   | O Crimp          | Gold                   | Nickel       | Polymethyl-pentene | Commercial | <b>39.88</b><br>1.570 | 58536-1   | 58248-2  | <b>5221402-2</b>   |
| BELDEN 8212, 9104, 9112, 9240, 9167, 9259, 9266, Times FM-59, (RG 59 Type with 20 AWG C.C.) | Hex Crimp        | Gold                   | Nickel       | Polymethyl-pentene | Commercial | <b>39.45</b><br>1.553 | 58425-1   | —  | <b>5413588-9</b>   |
| BELDEN 9145, AT&T 734A  | O Crimp          | Gold                   | Nickel       | Polymethyl-pentene | Commercial | <b>39.88</b><br>1.570 | 58536-1   | —  | <b>5221402-4</b>   |

AT&T is a trademark of AT&T Corporation.  
BELDEN is a trademark of Belden Wire and Cable Company.

**Note:** Part Numbers are RoHS compliant except: ♦ Indicates non-RoHS compliant.

**BNC Connectors, 75 Ohm (Continued)**

**Jacks, Crimp**

**Hex and O Crimp**

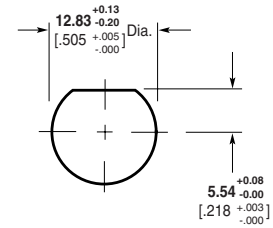


| RG/U Cable  | Termination Type | Center Contact Plating | Body Plating | Dielectric   | Style      | Dim. L                | Interchangeable Dies for PRO-CRIMPER Hand Tool 354940-1 or PRO-CRIMPER Adapter 679304-1 | Interchangeable Dies for Hand Tool 69710-1 & 626 Pneu. Head 318161-1 | Part No.         |
|---|------------------|------------------------|--------------|--------------|------------|-----------------------|---|--|------------------|
| 179, 179A, 179B, 161, 187, 187A, BELDEN 9221  | Hex Crimp        | Gold                   | Nickel       | Polyethylene | Commercial | <b>33.02</b><br>1.300 | 58425-2   | —  | <b>5413760-8</b> |
|   | O Crimp          | Gold                   | Nickel       | Polyethylene | Commercial | <b>30.48</b><br>1.200 | 318451-2  | —  | <b>5221199-5</b> |
| BELDEN 8218   | Hex Crimp        | Gold                   | Nickel       | Polyethylene | Commercial | <b>33.02</b><br>1.300 | 58425-2   | —  | <b>5413760-3</b> |
| 140, 210, 62, 62A, 62B, 59, 59A, 59B, BELDEN 9291, 9209, 9269                               | O Crimp          | Gold                   | Nickel       | Polyethylene | Commercial | <b>30.48</b><br>1.200 | 58536-1   | 58248-2  | <b>5221199-2</b> |
| 302, BELDEN 88241, 89269, Hi-Temp 62A, Times PL-62, Berk Tek BTDC-59, BTDC-62               | Hex Crimp        | Gold                   | Nickel       | Polyethylene | Commercial | <b>33.02</b><br>1.300 | 58425-1   | —  | <b>5413760-1</b> |
| BELDEN 8212, 9104, 9112, 9240, 9167, 9259, 9266, Times FM-59, (RG 59 Type with 20 AWG C.C.) | Hex Crimp        | Gold                   | Nickel       | Polyethylene | Commercial | <b>33.02</b><br>1.300 | 58425-1   | —  | <b>5413760-9</b> |
| BELDEN 9248, 9114   | O Crimp          | Gold                   | Nickel       | Polyethylene | Commercial | <b>30.48</b><br>1.200 | 58536-1   | —  | <b>5221199-1</b> |

BELDEN is a trademark of Belden Wire and Cable Company.

**Note:** Part Numbers are RoHS compliant except: ♦ Indicates non-RoHS compliant.



**BNC Connectors, 75 Ohm (Continued)**
**Bulkhead Jacks, Crimp**
**Hex and O Crimp**


Maximum Panel Thickness 6.1 [0.240]

**Recommended Panel Cutout**

| RG/U Cable   | Termination Type | Center Contact Plating | Body Plating | Dielectric   | Style      | Dim. L                | Interchangeable Dies for PRO-CRIMPER Hand Tool 354940-1 or PRO-CRIMPER Adapter 679304-1 | Interchangeable Dies for Hand Tool 69710-1 & 626 Pneu. Head 318161-1 | Part No.         |
|--|------------------|------------------------|--------------|--------------|------------|-----------------------|---|--|------------------|
| 179, 179A, 179B, 161, 187, 187A, BELDEN 9221   | Hex Crimp        | Gold                   | Nickel       | Polyethelene | Commercial | <b>36.83</b><br>1.450 | 58425-2   | —  | <b>5413590-8</b> |
|  | O Crimp          | Gold                   | Nickel       | Polyethelene | Commercial | <b>34.93</b><br>1.375 | 318451-2  | —  | <b>5221221-5</b> |
| AT&T KS 19224 L2, RD179 Double Braid   | Hex Crimp        | Gold                   | Nickel       | Polyethelene | Commercial | <b>36.83</b><br>1.450 | 58425-2   | —  | <b>5413590-4</b> |
| BELDEN 8218  | Hex Crimp        | Gold                   | Nickel       | Polyethelene | Commercial | <b>36.83</b><br>1.450 | 58425-2   | —  | <b>5413590-3</b> |
| 140, 210, 62, 62A, 62B, 59, 59A, 59B, BELDEN 9291, 9209, 9269                              | O Crimp          | Gold                   | Nickel       | Polyethelene | Commercial | <b>34.93</b><br>1.375 | 58536-1   | 58248-2  | <b>5221221-2</b> |
| BELDEN 8212, 9104, 9112, 9240, 9167, 9259, 9266, Times FM-59 (RG 59 Type with 20 AWG C.C.) | O Crimp          | Gold                   | Nickel       | Polyethelene | Commercial | <b>34.93</b><br>1.375 | 58536-1   | 58248-2  | <b>5221221-7</b> |
| BELDEN 9114, 9248  | O Crimp          | Gold                   | Nickel       | Polyethelene | Commercial | <b>34.93</b><br>1.375 | 58536-1   | —  | <b>5221221-1</b> |

AT&T is a trademark of AT&T Corporation.  
 BELDEN is a trademark of Belden Wire and Cable Company.

**Note:** Part Numbers are RoHS compliant except: ♦ Indicates non-RoHS compliant.

**BNC Connectors, 75 Ohm (Continued)**

**Bulkhead Solder Jacks  
Front Mount**

**Plating**

**Body** — Nickel

**Center Contact** — Silver



Maximum Panel Thickness **3.18** [.125]

**Recommended Panel Cutout**

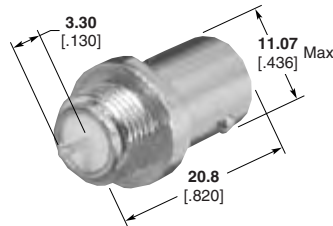


**Note:** If insulating bushing required use part no. 227223-1 or 221951-1 (for details, reference page 55).



**Note:** If insulating bushing required use part no. 227223-1 or 221951-1 (for details, reference page 55).

**Bulkhead Jack  
PC Board Mount**



**Bulkhead Solder Jack  
Rear Mount**

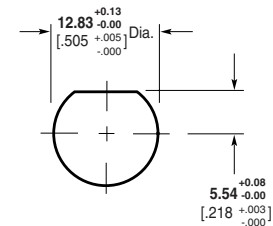
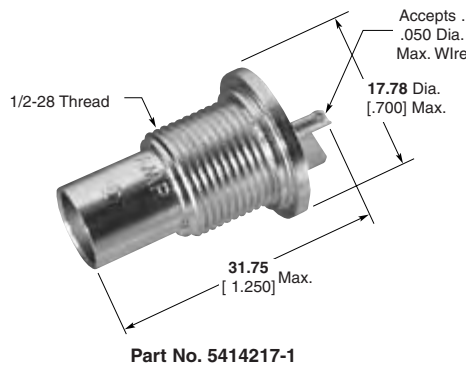
Lockwasher and Jam Nut see page 73.

**Plating**

**Body** — Nickel

**Center Contact** — Gold

**Dielectric** — Polymethylpentene



Maximum Panel Thickness **6.35** [.250]

**Recommended Panel Cutout**

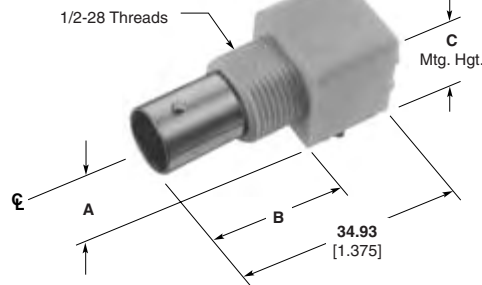
**Note:** Part Numbers are RoHS compliant except: ♦ Indicates non-RoHS compliant.

**BNC Connectors, 75 Ohm (Continued)**

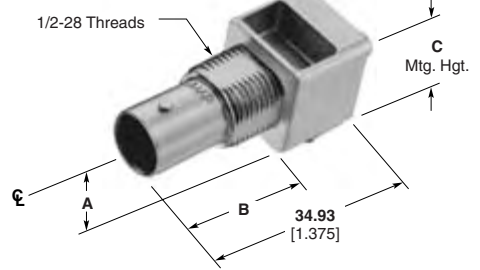
**Right-Angle Jacks  
PC Board/Panel Mount**

**Outer Shell** — Nickel  
**Dielectric** — Polymethylpentene  
Lockwasher and Jam Nut see page 73.

**VALOX Body**

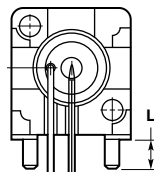


**Metal Body**



Maximum Panel Thickness 6.1 [240]

**Recommended Panel Cutout**

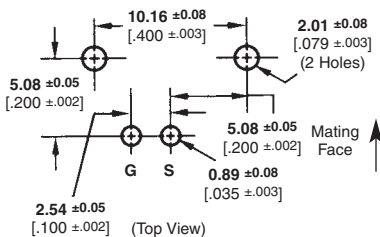


**Recommended PC Board Layouts**

**Without Mounting Posts**



**With Mounting Posts**



\* Screw for panel thickness of **2.38** [3/32] or greater  
**Part No. 221108-2.**  
Screw for panel thickness of less than **2.38** [3/32]  
**Part No. 221108-4.**

| Body Material                              | Center Contact Plating | Dimensions   |               |               |              | Part No.               |                     |
|--|------------------------|--------------|---------------|---------------|--------------|------------------------|---------------------|
|  |                        | A            | B             | C             | L            | Without Mounting Posts | With Mounting Posts |
| VALOX, Black w/ Compliant Posts (Economy)* | Gold3                  | 6.17<br>.243 | 21.21<br>.835 | 11.68<br>.460 | 2.79<br>.110 | —                      | 5415105-2           |
| VALOX, Black (Economy)*                    | Gold3                  | 6.17<br>.243 | 21.21<br>.835 | 11.68<br>.460 | 4.01<br>.158 | —                      | 5415105-1           |
| VALOX, White                               | Gold1                  | 6.91<br>.272 | 21.21<br>.835 | 13.88<br>.519 | 3.48<br>.137 | —                      | 5413194-1           |
| VALOX, White (Economy)*                    | Gold1                  | 6.91<br>.272 | 21.21<br>.835 | 13.88<br>.519 | 3.48<br>.137 | —                      | 5415634-2           |
| VALOX, Black                               | Gold1                  | 6.91<br>.272 | 21.21<br>.835 | 13.88<br>.519 | 3.48<br>.137 | —                      | 5413194-2           |
| VALOX, Black (Economy)*                    | Gold1                  | 6.91<br>.272 | 21.21<br>.835 | 13.88<br>.519 | 3.48<br>.137 | —                      | 5415634-1           |
| VALOX, Black (Economy)*                    | Gold1                  | 8.59<br>.338 | 21.21<br>.835 | 15.88<br>.625 | 3.48<br>.137 | —                      | 5415633-1           |
| VALOX, White                               | Gold2                  | 8.59<br>.338 | 21.21<br>.835 | 15.88<br>.625 | 3.48<br>.137 | —                      | 5414459-1           |
| Metal                                      | Gold1                  | 8.25<br>.325 | 20.83<br>.820 | 15.88<br>.625 | 2.16<br>.085 | —                      | 5222092-1           |
| Metal                                      | Gold1                  | 8.25<br>.325 | 20.83<br>.820 | 15.88<br>.625 | —            | 5222093-1              | —                   |
| Metal (Economy)*                           | Gold1                  | 8.25<br>.325 | 20.83<br>.820 | 15.88<br>.625 | 3.48<br>.137 | —                      | 5414409-1           |
| Metal with Compliant Posts (Economy)*      | Gold1                  | 6.91<br>.272 | 20.83<br>.820 | 12.70<br>.500 | 3.48<br>.137 | —                      | 5415417-1           |
| Metal with Compliant Posts (Economy)*      | Tin                    | 8.56<br>.337 | 21.21<br>.835 | 15.88<br>.625 | 3.48<br>.137 | —                      | 5415419-1           |
| Metal                                      | Gold1                  | 8.25<br>.325 | 20.83<br>.820 | 15.88<br>.625 | 3.48<br>.137 | —                      | 5222092-3           |
| Metal                                      | Gold1                  | 6.91<br>.272 | 20.83<br>.820 | 12.70<br>.500 | 3.48<br>.137 | —                      | 5414907-1           |
| Metal                                      | Gold1                  | 6.91<br>.272 | 20.83<br>.820 | 12.70<br>.500 | —            | 6274072-1              | —                   |
| Metal (Economy)*                           | Gold1                  | 6.91<br>.272 | 20.83<br>.820 | 12.70<br>.500 | 3.48<br>.137 | —                      | 6274084-1           |

\*Economy connector uses 50 Ω part with smaller dielectric and stamped and formed contact, Phosphor Bronze contact material (Compare to regular connector which is 75 Ω, screw machined Beryllium Copper).

**Plating:**

Gold1 — 0.00076 [0.000030] thick  
Gold2 — 0.00127 [0.000050] thick

**Note:** If an Insulating Bushing is required see part number 330620 and Panel Cutout on page 54.

VALOX is a trademark of General Electric Company.

**Note:** Part Numbers are RoHS compliant except: ♦ Indicates non-RoHS compliant.

**BNC Connectors, 75 Ohm (Continued)**

**Vertical Jacks  
PC Board/Panel Mount**

**Plating**

**Outer Shell** — Nickel

**Dielectric** — Polymethylpentene

**VALOX Body**



**Metal Body**



Maximum Panel Thickness 6.1 [.240]

**Recommended Panel Cutout**

| Body Material           | Contact Plating | Dim. B        | Dim. L       | Part No.  |
|-------------------------|-----------------|---------------|--------------|-----------|
| VALOX, Black (Economy)* | Gold1           | 21.21<br>.835 | 3.48<br>.137 | 5415632-1 |
| VALOX, White (Economy)* | Gold1           | 21.21<br>.835 | 3.48<br>.137 | 5415632-2 |
| Metal                   | Gold1           | 20.83<br>.820 | 3.48<br>.137 | 5222132-1 |
| Metal (Economy)*        | Tin             | 21.21<br>.835 | 3.48<br>.137 | 5415520-1 |

\*Economy connector uses 50 Ω part with smaller dielectric and stamped and formed contact, Phosphor Bronze contact material (Compare to regular connector which is 75 Ω, screw machined Beryllium Copper).

**Plating:**

Gold1 — 0.00076 [.000030] thick

**Note:** If an Insulating Bushing is required see part number 330620 and Panel Cutout on page 54.

**Lockwasher and Jam Nut**



Part No.  
1-329632-2



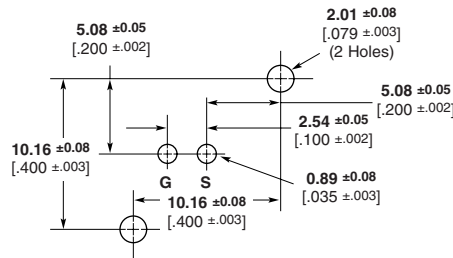
Part No.  
1-329631-2

\* Screw for panel thickness of 2.38 [3/32] or greater

Part No. 221108-2.

Screw for panel thickness of less than 2.38 [3/32]

Part No. 221108-4.



(Top View)

**Recommended PC Board Layout**

VALOX is a trademark of General Electric Company.

**Note:** Part Numbers are RoHS compliant except: ♦ Indicates non-RoHS compliant.

**BNC Connectors, 75 Ohm (Continued)**

**Vertical Metalized Jacks  
PC Board Mount**

**Plating**  
**Dielectric** — TEFLON

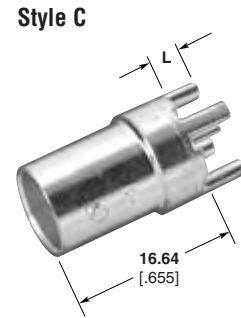
**Style A**



**Style B**



**Style C**



**Recommended PC Board Layout**

**Style F (Push-On)**



| Body Plating | Center Contact Plating | Style | Leg Length L | Part No.  |
|--------------|------------------------|-------|--------------|-----------|
| Nickel       | Gold                   | B     | 3.30<br>.130 | 6274291-2 |
| Tin          | Gold                   | B     | 3.30<br>.130 | 6274291-1 |
| Tin          | Gold                   | B     | 6.35<br>.250 | 6274359-1 |
| Tin          | Gold                   | C     | 4.44<br>.175 | 5414394-1 |
| Nickel       | Silver                 | A     | 6.35<br>.250 | 5413986-1 |
| Tin          | Gold                   | F     | 2.54<br>.100 | 6274360-1 |

**Press Fit  
Vertical Metalized Jacks  
PC Board Mount**



**Recommended PC Board Layout**

| Dim. A        | Part No.  |
|---------------|-----------|
| 20.57<br>.810 | 5222462-1 |
| 16.26<br>.640 | 5414088-1 |

**Insulating Bushing**

**Material** — Nylon  
**Part No.** 222163-1  
**Only to be used on Part Nos.** 5222462-1 and 5222006-1

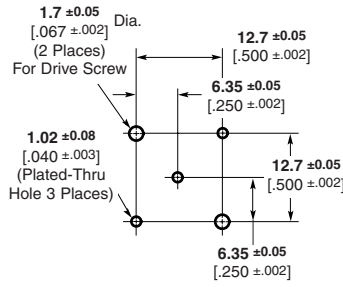


TEFLON is a trademark of E.I. Dupont de Nemours and Company.

**Note:** Part Numbers are RoHS compliant except: ♦ Indicates non-RoHS compliant.

**BNC Connectors, 75 Ohm (Continued)**

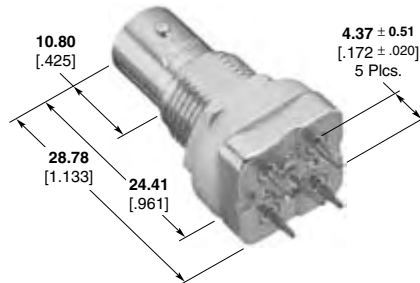
**Press Fit Vertical Metalized Jacks PC Board Mount**  
(Continued)



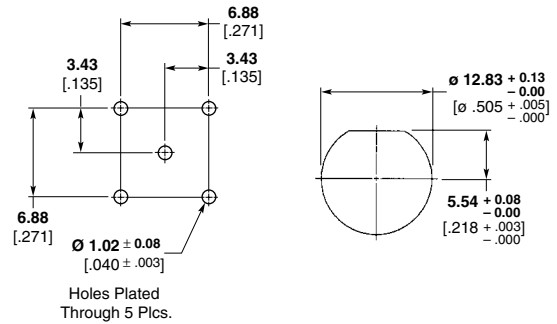
**Recommended PC Board Layout**

| PC Board Thickness (Min.) | Part No.  |
|---------------------------|-----------|
| 2.36                      | 5221336-3 |
| .093                      |           |
| 3.17                      | 5221336-4 |
| .125                      |           |

**Press Fit, Bulkhead Vertical Metalized Jack includes hardware**

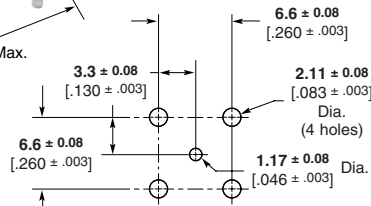


**Part No. 6274124-2**



**Recommended PC Board Layout**

**Right-Angle Metalized Jacks PC Board Mount**



Maximum PC Board Thickness 2.54 [0.100]

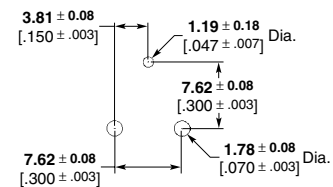
**Recommended PC Board Layout**

| Body Plating | Dielectric | Contact Plating | Center Contact Dimension | Part No.  |
|--------------|------------|-----------------|--------------------------|-----------|
| Nickel       | TPX        | Gold2           | .171 [0.007]             | 5413558-1 |
| Tin          | TEFLON     | Gold2           | .171 [0.007]             | 5413558-2 |
| Nickel       | TPX        | Gold2           | .131 [0.005]             | 5413558-3 |
| Nickel       | TPX        | Gold1           | .171 [0.007]             | 5413558-5 |

Gold1—0.00076 [0.000030] thick  
Gold2—0.00127 [0.000050] thick



**Part No. 6274127-1**



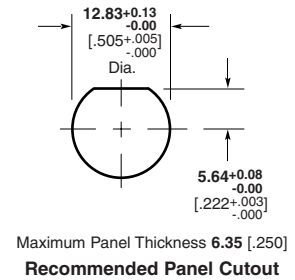
TEFLON is a trademark of E.I. Dupont de Nemours and Company.  
TPX is a trademark of Mitsui Chemicals America, Inc.

**Note:** Part Numbers are RoHS compliant except: ♦ Indicates non-RoHS compliant.



**BNC Connectors, 75 Ohm (Continued)**

**Right-Angle Metalized  
Jacks  
PC Board/Panel Mount**

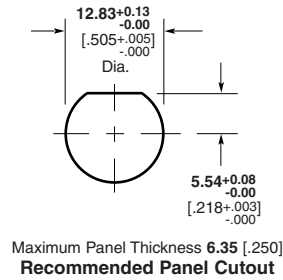


| Body Plating | Dielectric | Part No.  |
|--------------|------------|-----------|
| Tin          | TEFLON     | 6274425-2 |

**Bulkhead Jack-Jack  
Adapter**

**Plating**

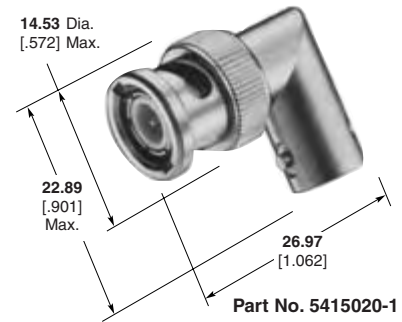
**Body** — Nickel  
**Center Contact** — Gold  
**Dielectric** — Polymethylpentene



**Right-Angle Adapter  
(Jack-Plug)**

**Plating**

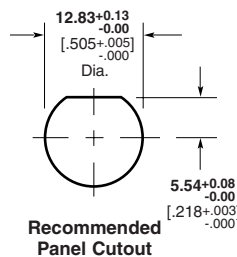
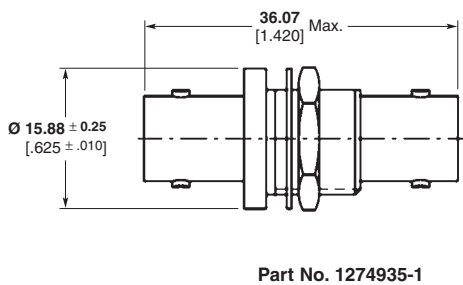
**Body** — Nickel  
**Center Contact** — Gold  
**Dielectric** — Polymethylpentene



**Bulkhead Jack-Jack  
Adapter**

**Plating**

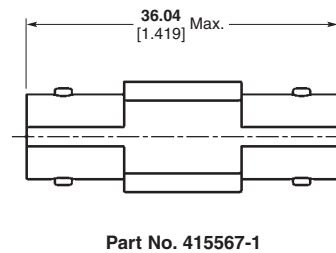
**Body** — Nickel  
**Center Contact** — Gold  
**Dielectric** — Polymethylpentene



**Jack-Jack Adapter**

**Plating**

**Body** — Nickel  
**Center Contact** — Gold  
**Dielectric** — Polymethylpentene

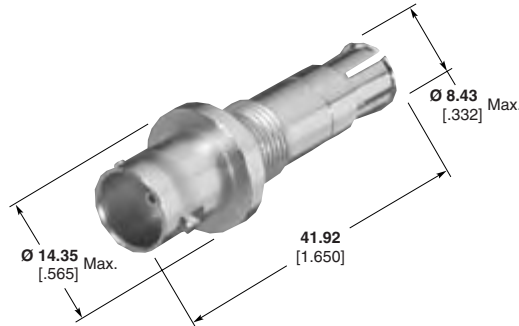


TEFLON is a trademark of E.I. Dupont de Nemours and Company.

**Note:** Part Numbers are RoHS compliant except: ♦ Indicates non-RoHS compliant.

**BNC Connectors, 75 Ohm (Continued)**

**Bulkhead Jack-Push On Plug Adapter**



Part No. 1274007-1



Recommended Panel Cutout

**Note:** Part Numbers are RoHS compliant except: ♦ Indicates non-RoHS compliant.

# Mouser Electronics

Authorized Distributor

Click to View Pricing, Inventory, Delivery & Lifecycle Information:

[TE Connectivity:](#)

[5221185-8](#)